

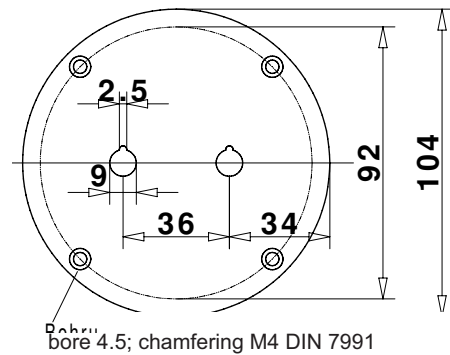
Mounting plates for the construction of the connection terminal with our previously mentioned pole terminals.

The dimensions correspond to the commonly used Standard Terminal in order to enable an easy exchange.

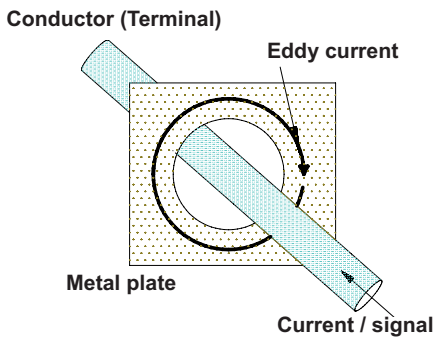
The delivery package contents are:
Butyl tape (see p. 59).



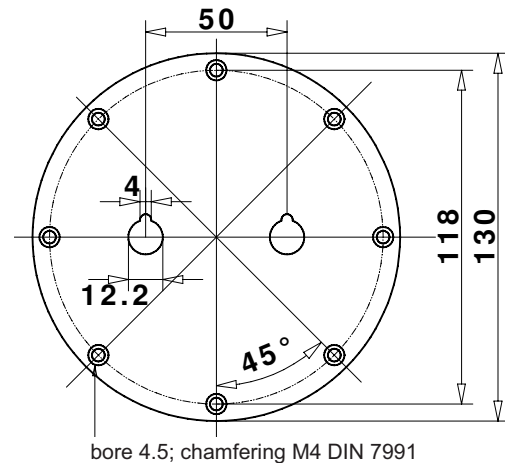
tpac105 - for the input of 6 mm pole terminals



tpac105
Acrylic terminal plate, singlewiring, pole terminals 6 mm
Ø * T [mm]
105 * 8



tpac130 - for the input of 8 mm pole terminals



tpac130
Acrylic terminal plate, singlewiring, pole terminals 8 mm
Ø * T [mm]
130 * 8