

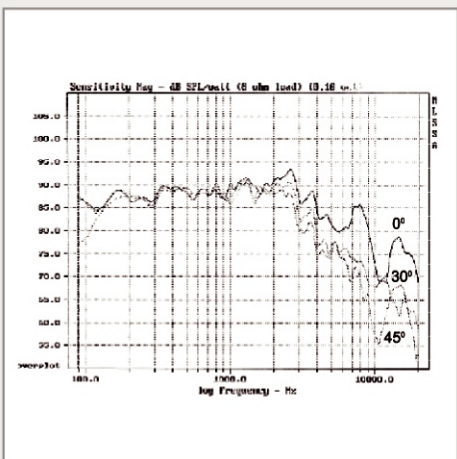
HU 621 NEW – 6" BASS MIDRANGE

Uniflow Diecast Chassis, Hybrid Magnet Motor



FEATURES:

- Hybrid magnet vented motor
- Large Hexatech aluminum voice coil
- Aluminium diecast chassis
- High power handling
- Shallow profile DCP cone



Specifications

Overall Dimensions		160.5mm(6.51")x68mm(2.57")
Nominal Power Handling (DN)	P	160 W
Transient power 10ms		800 W
Nominal Impedance	Z	8 Ohms
Sensitivity 1W/1M		90 dB
Frequency Response		35 – 3000 Hz
Resonant Frequency	FS	43 Hz

Voice coil

Voice Coil Diameter	DIA	54mm (2 1/8")
Voice Coil Height		12mm (0.47")
Voice Coil Former		Aluminum
Voice Coil Wire		Hexatech Aluminum
Number of Layers		2
DC Resistance	RE	5.60 Ohms
Voice Coil Inductance @ 1KHz	LBM	0.53 mH

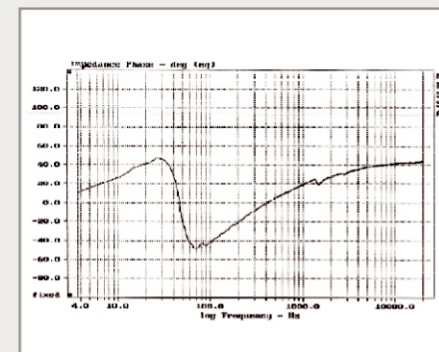
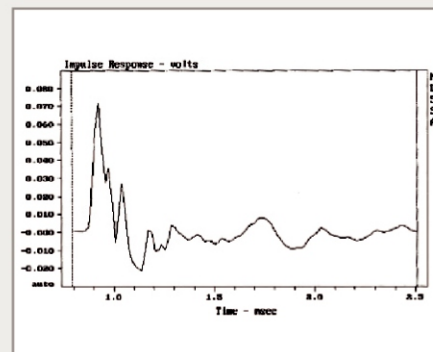
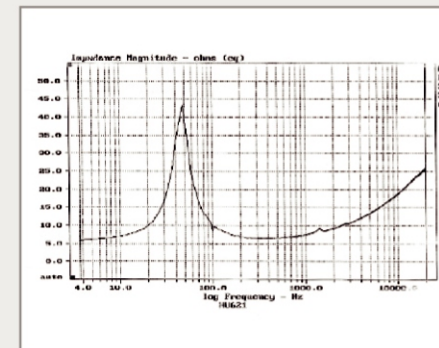
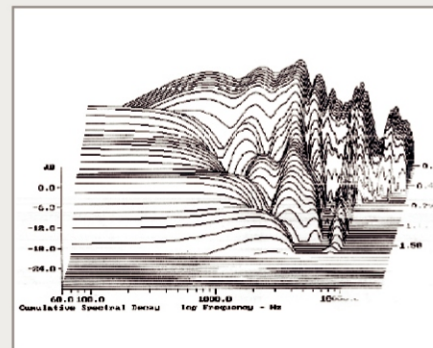
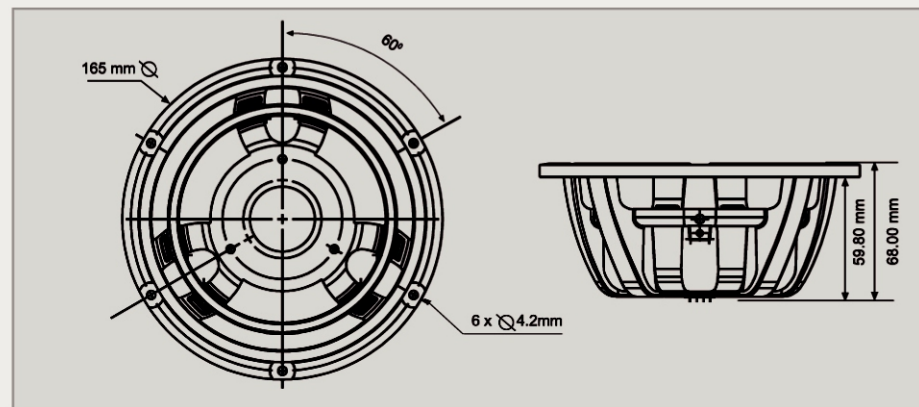
Magnet System

Magnet System Type		Hybrid, Rear Vented
HE – Magnetic Gap Height	HE	5mm (0.20")
B Flux Density	B	0.88 T
BL Product	BXL	6.00 N.A
Max. Linear Excursion	X	+/-3.5mm (0.137")

Operational Parameters

Suspension Compliance	CMS	1359 uM / N
Mechanical Q Factor	QMS	2.34
Electrical Q Factor	QES	0.45
Total Q Factor	Q/T	0.38
Mechanical Resistance	RMS	1.15 Kg.
Moving Mass	MMS	10 gm.
Eq. Cas Air Load (liters)	VAS	27.00 L
Cone / Dome Material		DPC
Effective Piston Area	SD	119 cm ²
Net Weight	Kg.	0.72 Kg.

HU 621



morel HIGH FIDELITY



www.morelhifi.com