



HOGTALARE WIRELESS STEREO SPEAKER



TABLE OF CONTENT

IMPORTANT SAFETY INSTRUCTIONS	2-6
BOX CONTENTS	7
DEVICE LAYOUT	8
FIRST POWER UP (TURNING DEVICE ON \ OFF)	9
AUTOMATIC \ MANUAL POWER OPTIONS	10
CHOOSING YOUR SOURCE.	11
CONNECTING VIA BT (PAIRING).	12
TWS PAIRING	13
AUX 3.5MM STEREO INPUT.	14
ADJUSTING SOUND LEVEL.	14
USING A WIFI DONGLE.	15
REMOVING \ ATTACHING THE GRILL	16
TECHNICAL INFORMATION	17
FUNCTIONS AND OPERATIONS	18
TROUBLESHOOTING	19-21

IMPORTANT SAFETY INSTRUCTIONS

Read the safety and operation instructions before using the product.

Follow all the instructions and heed all warnings.

Keep the instructions handy for your future reference.

! WARNING!

- **WARNING** - To reduce the risk of fire or electric shock, do not expose the device to water.
- **WARNING** - do not cover the device.
- **WARNING** - only use the accessories specified by the manufacturer have been supplied with the device (power supply / adapter, etc).
- **WARNING** - the power plug and adapter should remain readily accessible at all times and disconnected when the device is not in use or malfunctioning.
- **WARNING** - this device may cause hearing damage. Always adjust the volume to a safe listening level and keep a safe listening distance.
- **WARNING** - do not attempt to open, repair or modify the device. There are no user serviceable parts inside.
- **WARNING** - do not plug a guitar into the speaker Aux input.
- **DANGER** - always make sure the device is placed on a flat and steady surface. Be mindful of the product sliding to avoid accidental drops.
- The device should never be submerged in water. It is not waterproof.

INSTALLATION

- Keep the device away from direct heat (radiators, stoves, kettles, ovens, etc...)
- Keep the device away from fire and flames (Candle, fireplace, bonfire, etc...)
- Do not cover the front speaker grills.
- Place speaker on flat and stable surface
- Plug in the supplied AC power cable to the speaker.
- Plug in the supplied AC power cable to the wall outlet.
- For installation inside a compatible cabinet (such as IKEA KALLAX \ EXPEDIT etc):
 - Please take the grill off.
 - Connect the power cord and pass the cable through the cabinet.
 - Slide the speaker into the cabinet using the bass reflex port as a handle
 - Connect the power cable to the wall outlet.
 - Once in position, place the grill back (if you want).

CONNECTION

- Only connect the device to compatible audio sources as instructed in this manual.
- Only connect the device to the correct mains voltage as specified on the equipment.
- Be mindful to any damage to the power cord, plugs and sockets. Do not use faulty electrical equipment under any circumstances.
- Only use the supplied power supply and cable.
- Always unplug the device during lightning storms or when left unused for extended periods of time.
- This device does not have a mechanical power switch, unplugging the power supply is the only way to completely disconnect mains power to the device. Always make sure the power plug is readily accessible.

CLEANING AND MAINTENANCE

- Keep the device away from dust, clean regularly with dry cloth and vacuum cleaner.
- All servicing should be done by qualified service personnel. Servicing is required if the device: has been damaged in any way, submerged or soaked in water, does not operate normally, or has been dropped.

COMPLIANCE MARKS

FCC Statement: This equipment has been tested and found to comply with the limits for a Class B digital device, pursuant to Part 15 of the FCC Rules. These limits are designed to provide reasonable protection against harmful interference in a residential installation. This equipment generates uses and can radiate radio frequency energy and, if not installed and used in accordance with the instructions, may cause harmful interference to radio communications. However, there is no guarantee that interference will not occur in a particular installation.

If this equipment does cause harmful interference to radio or television reception, which can be determined by turning the equipment off and on, the user is encouraged to try to correct the interference by one or more of the following measures:

- Reorient or relocate the receiving antenna.
- Increase the separation between the equipment and receiver.
- Connect the equipment into an outlet on a circuit different from that to which the receiver is connected.
- Consult the dealer or an experienced radio/TV technician for help.

This device complies with part 15 of the FCC Rules. Operation is subject to the following two conditions:

- This device may not cause harmful interference.
- this device must accept any interference received, including interference that may cause undesired operation.

Changes or modifications not expressly approved by the party responsible for compliance could void the user's authority to operate the equipment.

IC Statement

This device complies with Industry Canada's license-exempt RSS. Operation is subject to the following two conditions:

- This device may not cause interference; and
- This device must accept any interference, including interference that may cause undesired operation of the device.

Le présent appareil est conforme aux CNR d'Industrie Canada applicables aux appareils radio exempts de licence. L'exploitation est autorisée aux deux conditions suivantes : (1) l'appareil ne doit pas produire de brouillage, et (2) l'utilisateur de l'appareil doit accepter tout brouillage radioélectrique subi, même si le brouillage est susceptible d'en compromettre le fonctionnement.



CAUTION

- Risk of electric shock! Do not open or disassemble the device. There are no user serviceable parts inside. Refer servicing to qualified service personnel.
- The equipment should be installed and operated with minimum distance 20cm between the radiator & your body.
- This equipment is a Class II or double insulated electrical appliance.
- The max. operation temperature is 45 °C.

! WARNING: The mains plug or appliance coupler is used as disconnect device, the disconnect device shall remain readily operable.

The equipment should be installed and operated with minimum distance 20cm between the radiator and your body



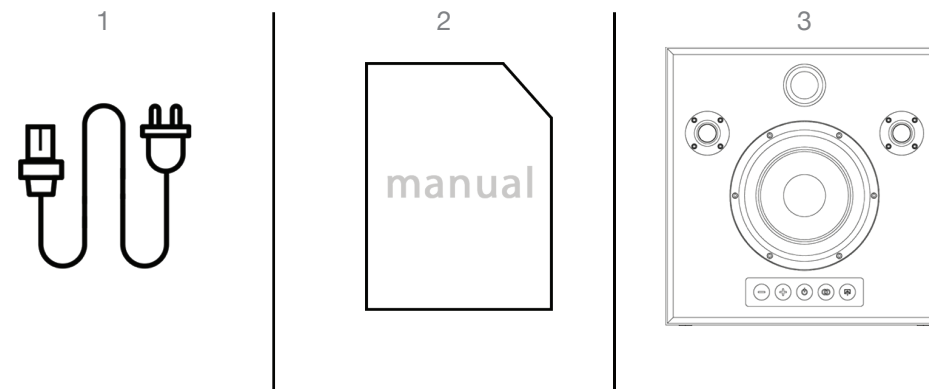
This device may not be treated as regular household waste. Management of WEEE (Waste Electrical and Electronic Equipment) is applicable in member states of the European Union and other European countries with individual national policies on the management of WEEE. If you need more information on the collection, reuse and recycling systems, please contact your local or regional waste administration facility.



For the declaration of conformity, visit this website: Morelhifi.com

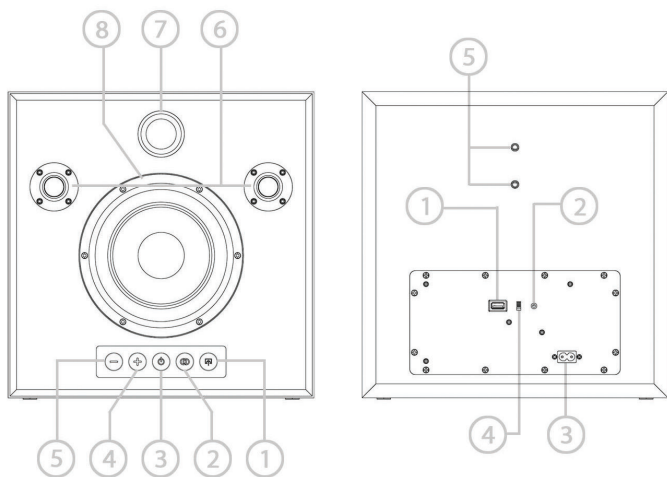
BOX CONTENTS

1. Power cord and region specific plugs.
2. Quick start user manual and safety information.
3. Högtalare active stereo loudspeaker (and grill).



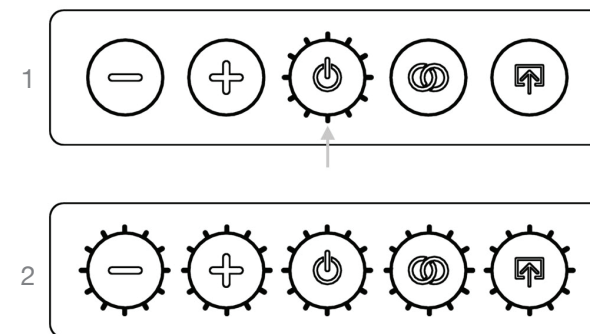
DEVICE LAYOUT

FRONT	BACK
1. Input selection button / indicator	1. Usb port (5v output DC only)
2. Bt tws pairing button / input indicator	2. Aux input for 3.5Mm stereo plug
3. Power button // indicator	3. Ac power input
4. Sound level up button	4. Standby \ auto on selector
5. Sound level down button	5. Wall mount connections
6. Left \ right tweeters	
7. Bass reflex port	
8. Woofer	



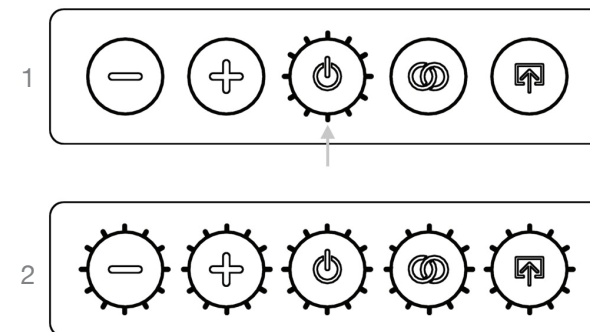
FIRST POWER UP

1. Press the power button to turn on the speaker.
2. When the speaker is turned on, all lights will turn on (excluding the bt \ tws pairing indicator).



TURNING THE DEVICE TO STANDBY:

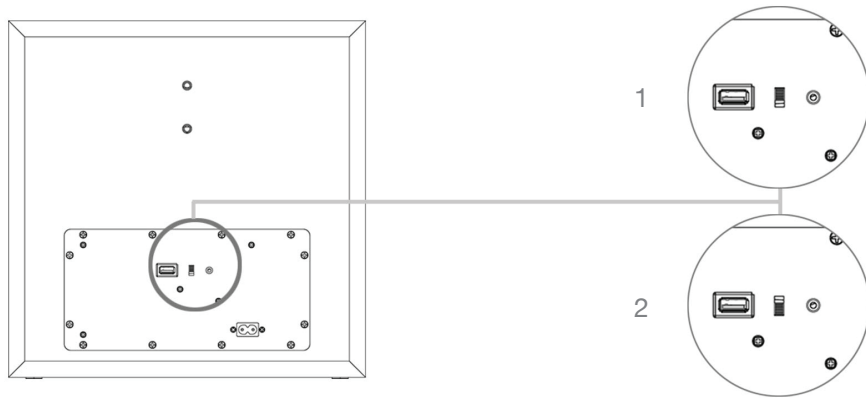
1. Press the power button to turn the device to standby.
2. Power led indicator will switch off.
3. Device will go back to standby mode automatically after 40 minutes of inactivity



AUTOMATIC \ MANUAL POWER OPTIONS

Högtalare wireless stereo speaker has a switch on the back that toggles between 2 power conditions:

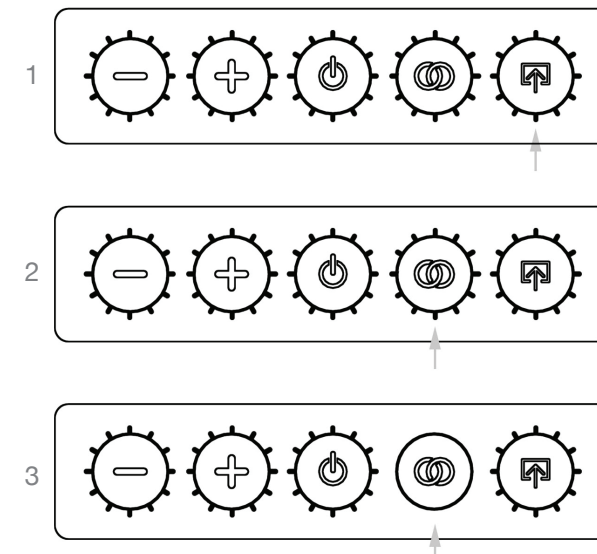
1. Manual - the speaker will turn on or off only by the user.
2. Auto-on - the speaker will turn on once music is being streamed to it or off after 5 minutes of inactivity.



CHOOSING YOUR SOURCE

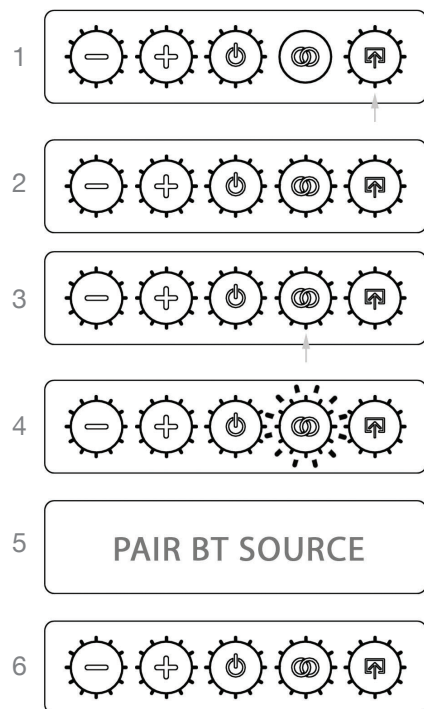
Högtalare wireless stereo speaker has 2 audio source inputs - a bt input and an aux 3.5Mm stereo input. To select your input source:

1. One short press on the input selection button / indicator will switch between inputs.
2. If the bt tws pairing button / input indicator is on (or flashing) - bt source is selected.
3. If the bt tws pairing button / input indicator is off - aux 3.5mm stereo input is selected.



CONNECTING VIA BT (PAIRING)

1. Short-press the source button to switch device to BT mode.
2. Bt pairing button indicator will turn on (if a device is already paired) or flash (if no device is paired).
3. Press bt tws pairing button / input indicator.
4. Bt tws pairing button / input indicator will start blinking (fast short blinks).
5. Pair BT device (choose "högtalare" from the available BT devices list on your BT compatible audio source).
6. Bt tws pairing button / input indicator will stop blinking and stay on.

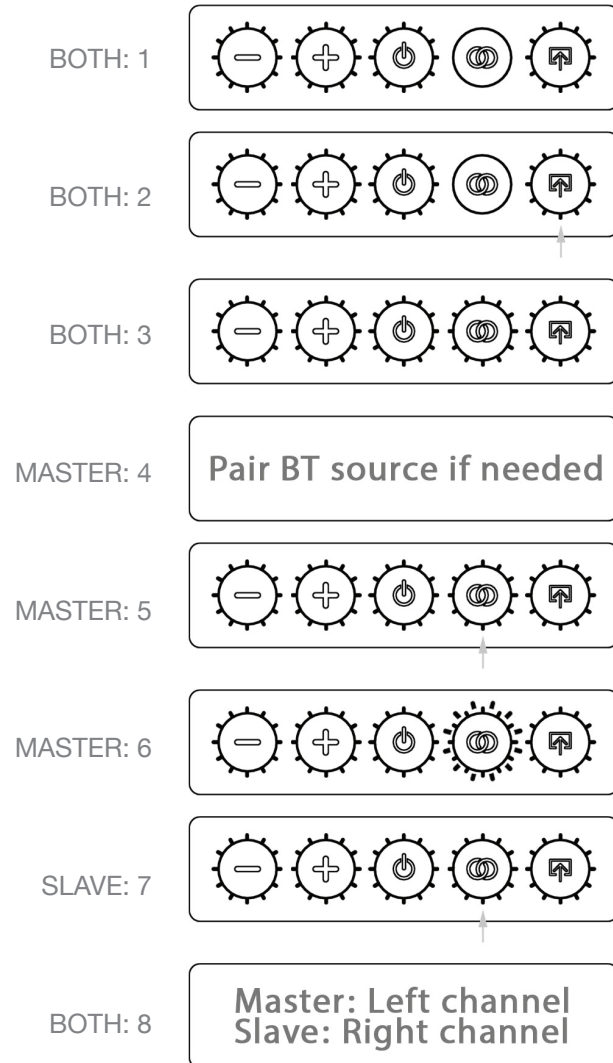


Högtalare Wireless Stereo Speaker Will Remember up to 5 BT Devices and will try to connect to them automatically when they are in range, and prioritize the last connected device. If the BT source and the Högtalare wireless stereo speaker get out of range and disconnect, Högtalare wireless stereo speaker will attempt to auto-connect as soon As the BT device Moves Within Range Again.

TWS PAIRING

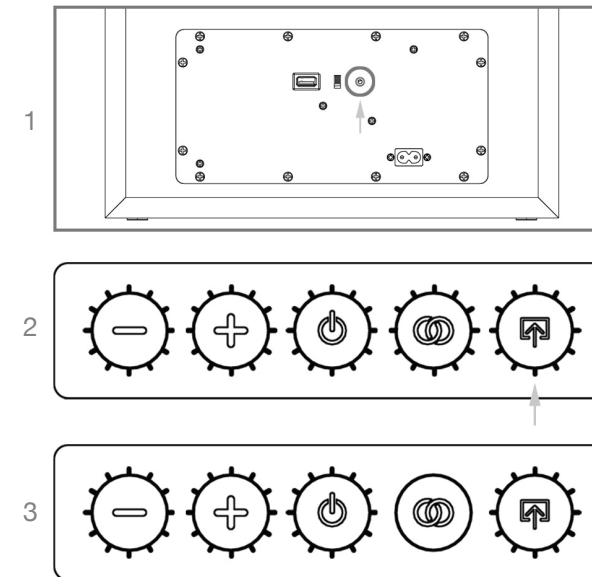
For a wider soundstage and increased output for larger spaces, HÖGTALARE features TWS (true wireless stereo) functionality allowing you to pair 2 units together to create a wider stereo setup:

1. Make sure both speaker units are on.
2. Set both units to bt mode by short-pressing the input selection button.
3. Bt tws pairing button / input indicator will turn on.
4. If no source is paired, pair your audio source to the speaker unit via bt.
5. Long-press the bt tws pairing button on the master - enable tws pairing.
6. Bt tws pairing button / input indicator will start to blink slowly.
7. Long-press the bt tws pairing button on the slave unit to pair it with the master unit.
8. Master unit will play the left audio channel and the slave unit will play the right audio channel.



AUX 3.5MM STEREO INPUT

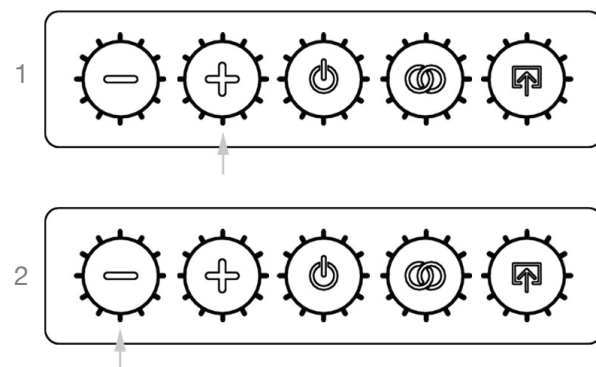
1. Connect 3.5Mm stereo plug to the device.
2. Short-press input selection button to switch to aux mode.
3. Bt tws pairing button / input indicator will turn off (indicating aux input).



ADJUSTING SOUND LEVEL

1. Press \ hold the sound level up button to increase sound level
2. Press \ hold the sound level down button to decrease sound level

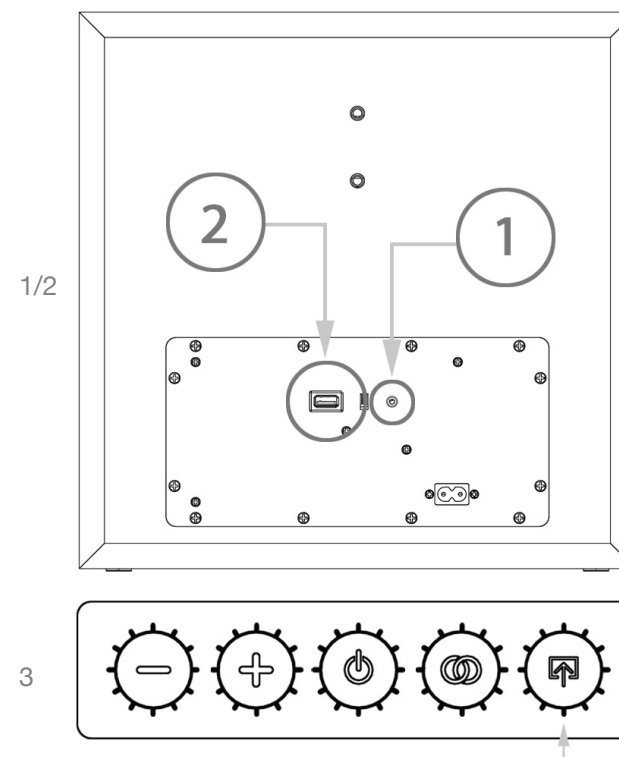
! WARNING: always make sure to adjust the volume to a safe listening level depending on your environment and distance from the speaker.



USING A WIFI DONGLE

HÖGTALARE wireless stereo speaker features a 5v USB DC power outlet on the back panel. This is not a digital audio input, it can only be used for charging or powering other devices. To connect a wifi dongle that requires a 5v power supply:

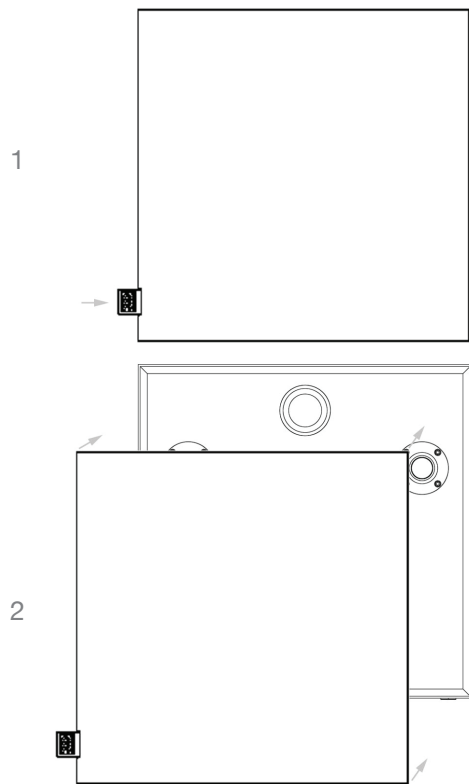
1. Connect the dongle stereo output to the aux 3.5Mm stereo input.
2. Connect the usb power source cable to the 5v usb dc power outlet.
3. Set högtalare to aux input by short-pressing the input selection button.



REMOVING \ ATTACHING THE GRILL

HÖGTALARE wireless stereo speaker comes with a removable grill that attaches to place with hidden magnets.

1. To remove the grill, gently pull the leather logo tag found on the bottom left side.
2. To place the grill back on, just push the grill into place and the magnets will automatically lock it in place.



ATTENTION! The grill frame has waveguides that need to be positioned above the tweeters. When placing the grill, make sure the leather logo tag is positioned in the bottom left side.

TECHNICAL INFORMATION

All specifications are subject to change without prior notice.

Driver And Build

- 1 X 6" Double magnet woofer
- 2 X 1" Soft dome tweeters (LR Stereo)
- 3 X Custom-made amplifiers: 1X - Woofer
2X - Tweeters
- 50W Per channel
- Frequency response: 36-20,000 Hz
- Reinforced cabinet with wood frame
- Vinyl finish
- Single unit stereo
- 330X330X150

Connectivity

- BT 4.2 with APT-X support
- WiFi ready
- AUX Input (3.5mm PL jack)
- USB power input
- TWS pairing (Stereo Pairing)
- DSP crossover
- Power Handling: 80W

FUNCTIONS AND OPERATIONS

FUNCTION	OPERATION	INDICATOR
TURN DEVICE ON	S for the Power button – short press when device is off	Only power indicator light on
TURN DEVICE OFF	Power button – short press when device is on	All lights on
BT INPUT ACTIVE	INPUT SELECTION BUTTON – short press	BT TWS PAIRING BUTTON / INPUT INDICATOR on
BT PAIRING MODE	BT TWS PAIRING BUTTON - short press when device is in BT mode.	BT TWS PAIRING BUTTON / INPUT INDICATOR fast blink
AUX INPUT ACTIVE	INPUT SELECTION BUTTON – short press	BT TWS PAIRING BUTTON / INPUT INDICATOR off
TWS PAIRING MODE	BT TWS PAIRING BUTTON - long press when device is in BT mode.	BT TWS PAIRING BUTTON / INPUT INDICATOR slow blink
TWS MODE ACTIVE		Master speaker will make a notification sound as “left speaker” and slave speaker will make notification sound as “right speaker” after power up or after TWS pairing
DISCONNECT PAIRED BT DEVICE	INPUT SELECTION BUTTON – long press when BT device is paired	BT TWS PAIRING BUTTON / INPUT INDICATOR blinking fast.
DISABLE TWS MODE	BT TWS PAIRING BUTTON / INPUT INDICATOR – long press when TWS is paired	INPUT SELECTION BUTTON / INDICATOR blinking slow.

TROUBLESHOOTING

PROBLEM	CAUSE	ACTION
THE DEVICE DOES NOT TURN ON.	S for the Power button – short press when device is off	Only power indicator light on
THERE IS NO SOUND	The device is set on the wrong input source	Press the source button to switch to the correct audio source
	No audio source connected	Connect the sound source to the speaker either via BT or with a 3.5mm aux cable
	Volume is set too low on either the sound source or the speaker	Slightly increase the volume on your sound source, then slightly increase the volume on the speaker
	Audio source is not playing or paused	Press “Play” on your audio source device
THE SOUND IS TOO LOW	The audio cable is not properly connected	Ensure that the audio cable is properly connected and that it is not damaged
	Volume is set too low on either the sound source or the speaker	Slightly increase the volume on your sound source, then slightly increase the volume on the speaker
THE SOUND IS DISTORTED	Volume is set too high on either the speaker or the audio source	Turn down the playback volume on the sound source or the speaker
	The sound file (mp3) is of poor quality	Try another sound file (mp3) or music player

TROUBLESHOOTING

PROBLEM	CAUSE	ACTION
ERRATIC PERFORMANCE	Interference from another electronic device	Move the speaker to another location. Turn off or move the interfering electronic device
CANNOT CONNECT OR PAIR WITH A BT DEVICE	Your device only supports	Move the devices closer so that they are within 10 meters, and unobstructed by obstacles such as walls or doors
	BT (hands-free) area	Ensure that BT is enabled on your device
	The pairing timed out	When the pairing button is pressed, the speaker searches for devices for 3 minutes
	Your device prompts you for a pin code	In most cases, you do not need to enter the pin code (password) when connecting the BT device to your speaker. If the window for entering the pin code is displayed, use the pin code 0000
	Your device only supports BT (hands-free) area function	The speaker cannot connect using BT hands-free area function. Connect using 3.5mm aux cable instead

TROUBLESHOOTING

PROBLEM	CAUSE	ACTION
BT CONNECTION DROPS OUT	The two BT devices are too far apart or the connection is affected due to obstacles	Move the devices closer so that they are within 10 meters, and unobstructed by obstacles such as walls or doors
	There is a strong electric field Interfering with the devices	Items such as microwave ovens, wireless network adapters, fluorescent lights and gas cookers use the same frequency range as the BT device. This may lead to interference with the signal

NOTES

A BT device could cause sound-related or technical faults, depending on use, in the following cases:

- When some part of the body is in contact with the receiving/transmitting system for the BT device or the stockwell.
- Electrical variations due to obstacles in the form of walls, corners, etc.
- Exposure to electrical disruptions from devices within the same frequency band, for example medical equipment, microwave ovens and wireless networks.

This wireless device may cause electrical disruptions during use.



www.morelhifi.com