

Quick Start Guide  
快速入门指南

Routist RS

**MIDIPLUS**

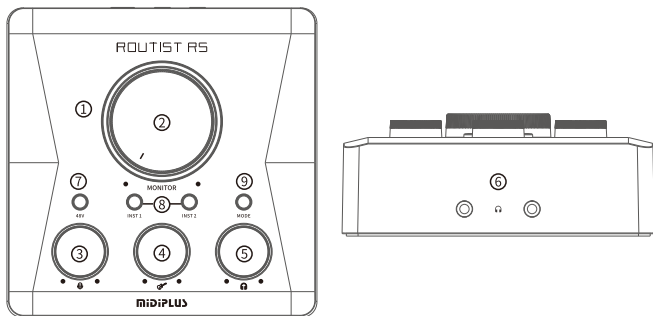
# Introduction

Thank you for choosing Routist RS audio interface. Routist RS is a 2 in/2 out USB audio interface, with brilliant lighting effects. You can supply 48V phantom power to your condenser microphone with only USB bus powered. You can connect to your mobile phone through the built-in OTG port, providing you with a faster and more convenient live streaming experience. With 24bit/96kHz high resolution sampling rate, support Windows low-latency ASIO driver and will work straight away without needing to install any drivers on macOS. Please read this manual before you start using, to help you quickly understand the basic operations and features of Routist RS.

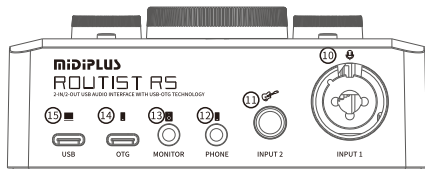
## Features

- 2 in/2 out USB audio interface
- Support 24bit/96kHz audio resolution
- 1 XLR / TRS combo input and 1 TRS input for connecting microphone, line-level device or instrument(guitars or basses)
- 48V phantom power supply
- Independent monitor output volume and headphone volume control
- Connect to your mobile phone through OTG or 3.5mm jack
- Dual headphone outputs
- Brilliant lighting effects.
- USB bus powered

## Hardware Features



1. RGB Light Ring: Showing different lighting effects according to the RGB Light Ring mode
2. Monitor Control: Control the monitor output level.
3. Input 1 Gain Control: Control the input 1's gain level
4. Input 2 Gain Control: Control the input 2's gain level
5. Headphone Control: Control the dual headphone outputs level.
6. Headphone Outputs: Connect 2 headphones
7. 48V Switch: Turn on/off the phantom power supply of the XLR input 1
8. Instrument/Line Switch: Switch the inputs to the Hi-Z mode  
INST 1: Switch the input 1 into Hi-Z mode  
INST 2: Switch the input 2 into Hi-Z mode
9. Mode Switch: Switch the mode of RGB Light Ring



10. Input 1: Connect the microphone through XLR, connect line-level device or instrument (guitars or basses) through TRS jack.
11. Input 2: Connect line-level device or instrument (guitars or basses).
12. Phone: Connect to headset jack of mobile phone, for transmit analog audio signals.
13. Monitor: Connect to the active speakers to monitor the output signals.
14. OTG port: Connect to a mobile phone to transmit digital audio signals.
15. USB port: Connect to a computer to transmit data and power supply.

## Start Using

### 1. Connect

Connect the Routist RS to computer by using the included USB A to USB C cable, the USB status LED on Routist RS will light on.

### 2. Installation

Windows: Go to <http://www.midiplus.com/support.aspx?id=1> download and install the latest driver.

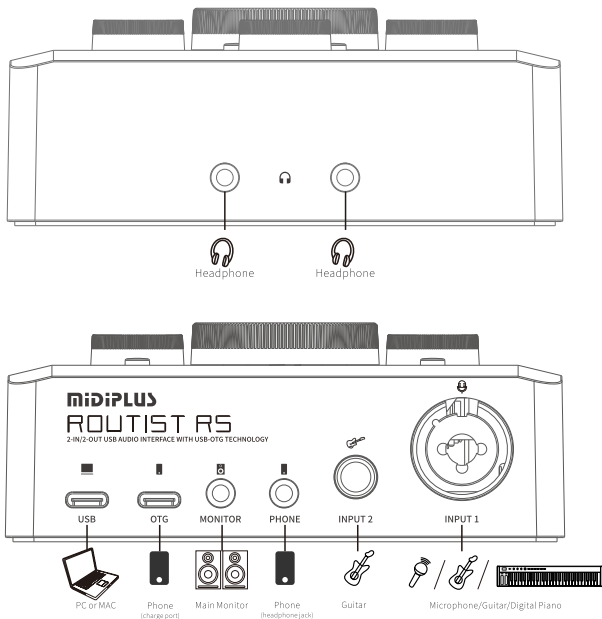
macOS: No need to install any drivers.

### 3. Setting the default sound device

Windows: Go to Settings > System > Sound and then selecting the Routist RS as your device for Input and Output.

macOS: Go to System Preferences > Sound and then selecting the Routist RS as your device for Input and Output.

#### 4. Connection Example



## Specifications:

Model	Routist RS
Bit depth /Sample rate	24bit/96kHz
I/O	1 x XLR/TRS Combo Input, 1 x 1/4"TRS Input, 1 x 1/8"Phone Jack, 1 x 1/8"Monitor Output, 2 x 1/8"Headphone Outputs, 1 x USB C port, 1 x USB C OTG port
Buttons	1 x 48V Switches, 2 x Hi-Z Switch, 1 x Ring ramp mode Switch
Knobs	Input Gain, Monitor, Headphone
Dimensions	120mm*120mm*47mm
Accessory	Quick Start Guide * 1, TRRS 1/8" to TRRS 1/8" cable * 1, USB A to USB C cable * 1

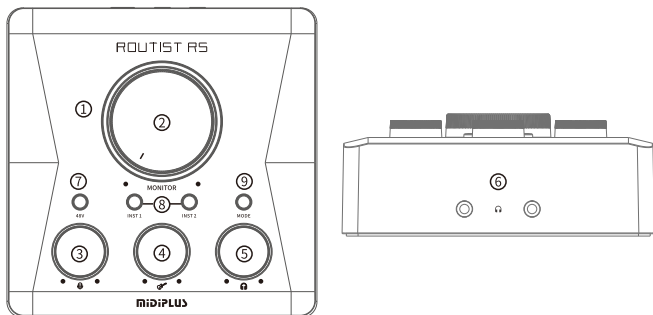
# 简介

感谢您选择Routist RS音频接口。ROUTIST RS是一款二进二出的USB音频接口，带有炫彩的RGB灯效。只需USB供电就可以为您的电容麦克风提供48V幻象电源。通过自带的OTG接口连接手机，为您提供了更快捷方便的直播体验。支持24bit/96kHz高精度采样率的同时具备了Windows低延迟ASIO驱动，并支持Mac系统下免驱使用。在开始使用之前请阅读此手册，以帮助您快速了解ROUTIST RS的基本功能。

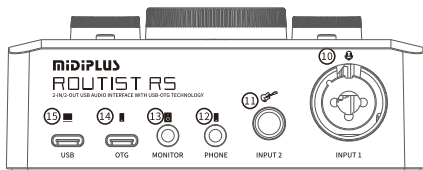
## 产品特性

- 二进二出USB音频接口
- 支持24bit/96kHz音频解析度
- 一个XLR/TRS混合接口，一个6.35 TRS接口。满足常规麦克风及6.35mm线性输入，满足弹唱需求(电吉他或贝斯)
- 带48V幻象电源可为电容麦克风供电
- 耳机音量和监听音量独立调节
- 监听输出音量和耳机音量独立调节
- 支持数字OTG和3.5mm模拟耳机接口连接手机，兼容更多设备
- 双耳机接口
- 丰富炫彩的RGB灯效
- USB总线供电

## 硬件功能



1. RGB灯圈:根据灯圈模式展示不同的灯光效果
2. MONITOR音量旋钮:控制MONITOR接口的输出音量大小
3. INPUT 1增益旋钮:控制INPUT 1接口的输入音量大小
4. INPUT 2增益旋钮:控制INPUT 2接口的输入音量大小
5. 耳机音量旋钮:控制声卡前部双路耳机接口的输出音量大小
6. 耳机输出接口:用于连接耳机
7. 48V开关:开启/关闭INPUT 1的XLR接口48V供电
8. 乐器模式开关:开启/关闭乐器高阻抗模式  
INST1:开启INPUT 1接口的高阻抗模式  
INST2:开启INPUT 2接口的高阻抗模式
9. MODE开关:切换RGB灯圈的模式



10. INPUT1接口:用于连接麦克风,同时具备了线路输入和给乐器使用的高阻抗模式
11. INPUT2接口:用于连接乐器,同时也具备线性输入功能
12. PHONE接口:用于和手机3.5MM双向传输音频信号
13. MONITOR接口:用于连接监听音箱
14. OTG接口:用于连接手机
15. USB接口:用于连接电脑

## 开始使用

1.连接:使用自带的USB线将ROUTIST RS连接到电脑后,ROUTIST RS的LED RGB 柔光灯圈将会亮起。

2.安装驱动

Windows用户:<http://www.midiplus.com/support.aspx?id=1>

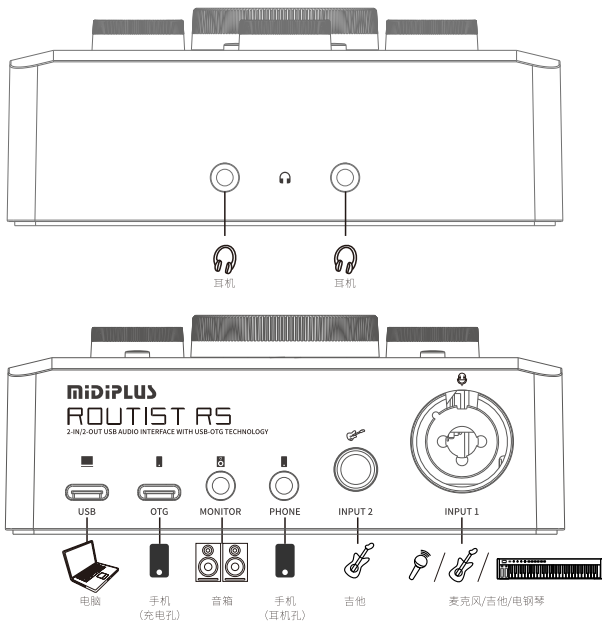
MacOS用户:无需安装驱动

3.设置默认声音设备

Windows用户:转到设置->系统->声音,然后选择Routist RS为输入/输出设备。

macOS用户:转到系统偏好设置->声音,然后选择Routist RS为输入/输出设备。

## 4.连接示例



## 产品规格

型号	Routist RS
位深度/采样率	24bit/96kHz
I/O接口	1个XLR/TRS混合接口、1个6.35mm乐器接口、1个3.5mm手机接口、1个3.5mm监听音箱接口、2个3.5mm监听耳机接口、1个Type-C手机OTG接口、1个Type-C电脑接口
按键	1个48V开关、2个乐器模式开关、1个灯罩模式开关
旋钮	2个输入增益旋钮、1个耳机音量旋钮、1个主音量旋钮
尺寸	120mm*120mm*47mm
附件	快速入门手册、USB-A转Type-C连接线、TRRS 3.5mm转TRRS 3.5mm连接线

[www.midiplus.com](http://www.midiplus.com)