

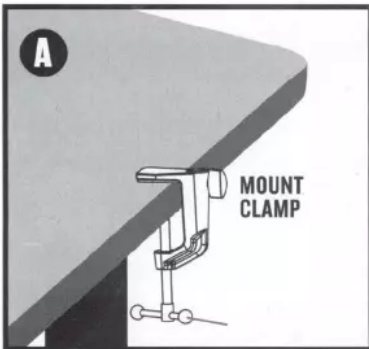


DB-100

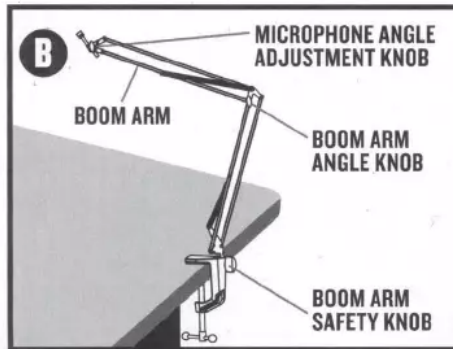
DESKTOP MICROPHONE BOOM ARM

INSTALLATION INSTRUCTIONS

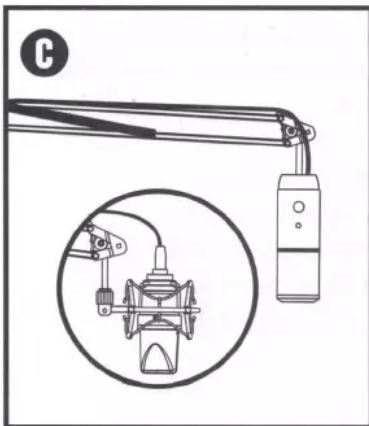
The DB-100 Desktop Microphone Boom Arm is a versatile mic boom that uses springs to provide support and ideal positioning for microphones up to 2.3 lb / 1.0 kg. The desk clamp allows the DB-100 to easily attach to most desks and studio furniture. Additionally, the boom arm can rotate a full 360 degrees. Best of all, it makes for an efficient and clutter-free creative space.



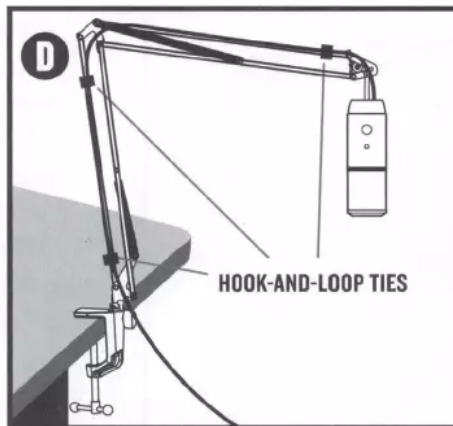
Connect the clamp to the desk by hand-tightening.



Insert the boom arm into the clamp and hand-tighten the boom arm safety knob.



Connect the microphone and accessories



Use the included hook-and-loop ties to secure the mic's cable, leaving a little slack in the cable so the arm can move freely.

ADJUSTING THE SETUP

Loosen the microphone angle adjustment knob. Once in the correct position, hand-tighten to lock.

The boom arm moves the mic higher and lower. Loosen the boom arm angle knob first, adjust the mic to the correct position, then hand-tighten to lock.

Next, hand-tighten the boom arm safety knob to lock the arm rotation.

Once completed, you are ready to record! The mic may have to be adjusted before you find that perfect "sweet spot". Simply follow the steps again.

FEATURES

- All metal construction
- Black powder-coat paint
- Smooth, quiet operation

SPECIFICATIONS

- Boom Length (top) – 20.8" / 528 mm
- Boom Length (bottom) – 18.5" / 470 mm
- Max Load – 2.3 lb / 1.0 kg
- Mount Clamp Thickness – up to 2.1" / 53 mm



www.mackie.com

19820 North Creek Parkway #201
Bothell, WA 98011
800.898.3211 • FAX 425.487.4337
Outside the U.S. call +1.425.487.4333