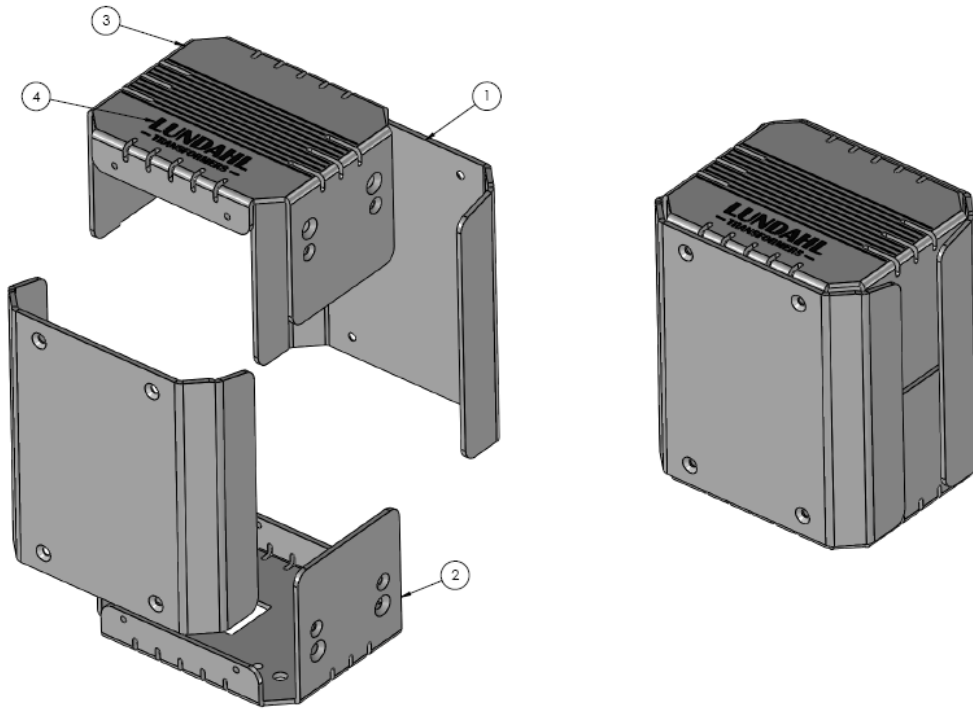


## LL1638\_HOUSING

Housing for **LL1638** and **LL1660** size chokes and transformers.



**Dimensions** 110 mm (4.33") tall,  
95 x 80 mm (3.76" x 3.15") footprint  
**Finish** Medium charcoal semi-gloss powder coat

**Material** 2 mm construction steel  
**Logo** Black silk screen print

### LL1638\_housing footprint.

NOT TO SCALE. For mounting, drill 4 x 4.5 mm holes for M4 screws, and one 20mm hole for cables.

