

GENERAL CHARACTERISTICS

Nominal Overall Diameter	307	mm
Nominal Voice Coil Diameter	50	mm
Magnet Weight	200	g
Flux Density.....	1.20	T
Weight.....	2.10	Kg

THIELE-SMALL PARAMETERS

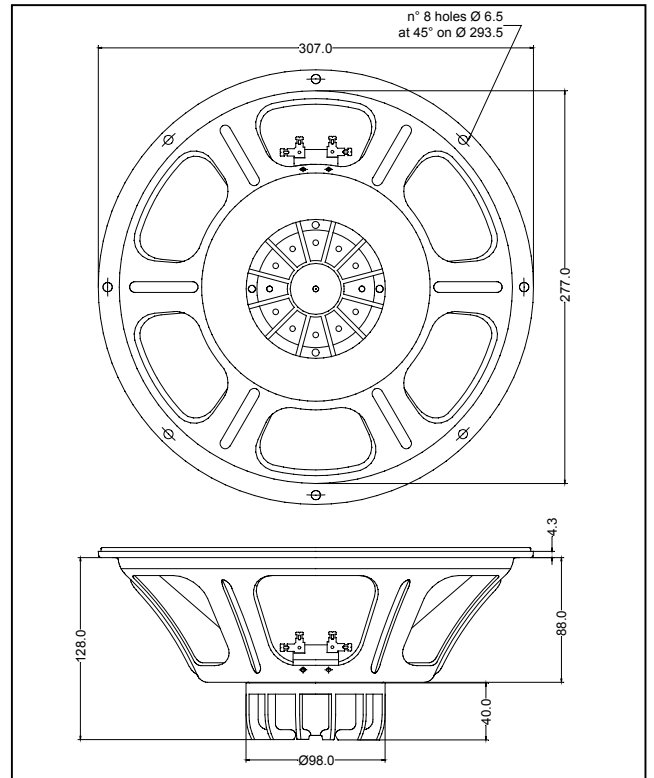
Voice Coil DC Resistance	R_E	6.81	Ω
Resonance Frequency	f_s	91.9	Hz
Mechanical Q Factor.....	Q_{MS}	16.49	
Electrical Q Factor.....	Q_{ES}	0.63	
Total Q Factor	Q_{TS}	0.61	
Mechanical Moving Mass	M_{MS}	32.0	g
Mechanical Compliance	C_{MS}	94	μm/N
Force Factor	$B \times l$	14.13	Wb/m
Equivalent Acoustic Volume.....	V_{AS}	31.7	lt.
Maximum Linear Displacement	X_{MAX}	+/-1.0	mm
Reference Efficiency	η_0	3.74	%
Diaphragm Area	S_D	490.9	cm ²
Losses Electrical Resistance.....	R_{ES}	177.9	Ω
Voice Coil Inductance @ 1kHz	L_E	0.65	mH

CONSTRUCTIVE CHARACTERISTICS

Magnet.....	Neodymium
Voice Coil Winding.....	Copper
Voice Coil Former.....	Nomex
Cone	Paper
Surround.....	Paper - Integrated
Dust Dome	Non Treated Cloth
Basket	Pressed Sheet Steel

ELECTRICAL CHARACTERISTICS

Nominal Impedance.....	8	Ω
Musical Power	200	W
Rated Power*	100	W
Sensitivity @ 1 W, 1 m	98.4	dB



*rated power measured with 2 hours test with pink noise signal, 6 dB crest factor, loudspeaker mounted on enclosure

Frequency Response on IEC Baffle (DIN 45575) @ 1 W, 1 m - Impedance

