

12"- 100W Ceramic Guitar Loudspeaker

CH 12/50 - 4 Ω

Code ZJ06221

GENERAL CHARACTERISTICS

Nominal Overall Diameter	306	mm
Nominal Voice Coil Diameter	32	mm
Magnet Weight	426	g
Flux Density.....	1.10	T
Weight	1.82	Kg

THIELE-SMALL PARAMETERS

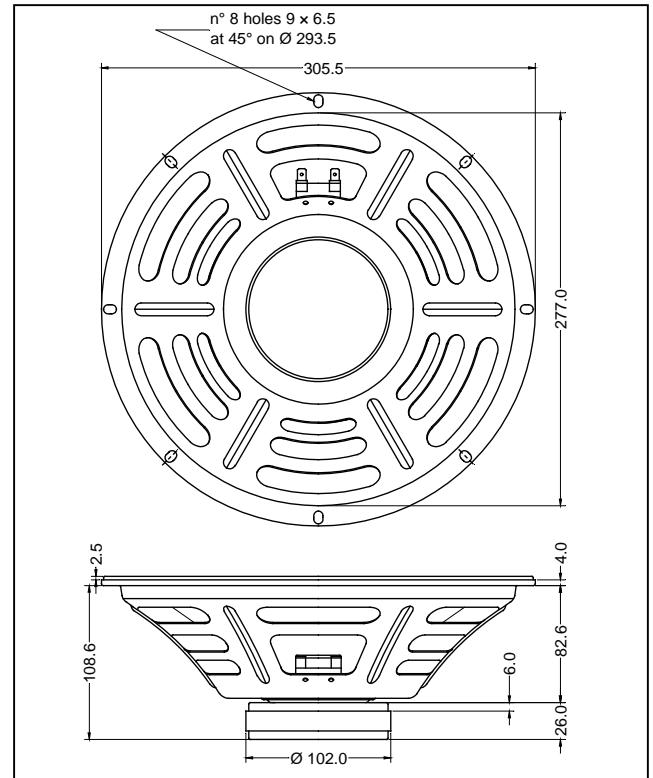
Voice Coil DC Resistance	R_E	3.05	Ω
Resonance Frequency	f_s	82.0	Hz
Mechanical Q Factor.....	Q_{MS}	16.32	
Electrical Q Factor.....	Q_{ES}	1.40	
Total Q Factor	Q_{TS}	1.29	
Mechanical Moving Mass	M_{MS}	30.6	g
Mechanical Compliance	C_{MS}	123	μm/N
Force Factor	$B \times l$	5.87	Wb/m
Equivalent Acoustic Volume.....	V_{AS}	42.1	lt.
Maximum Linear Displacement	X_{MAX}	+/-2.0	mm
Reference Efficiency	η_0	1.60	%
Diaphragm Area	S_D	490.9	cm ²
Losses Electrical Resistance.....	R_{ES}	29.2	Ω
Voice Coil Inductance @ 1kHz	L_E	0.35	mH

CONSTRUCTIVE CHARACTERISTICS

Magnet	Ferrite
Voice Coil Winding.....	Copper
Voice Coil Former.....	Epotex
Cone	Paper
Surround.....	Paper - Integrated
Dust Dome	Non Treated Cloth
Basket	Pressed Sheet Steel

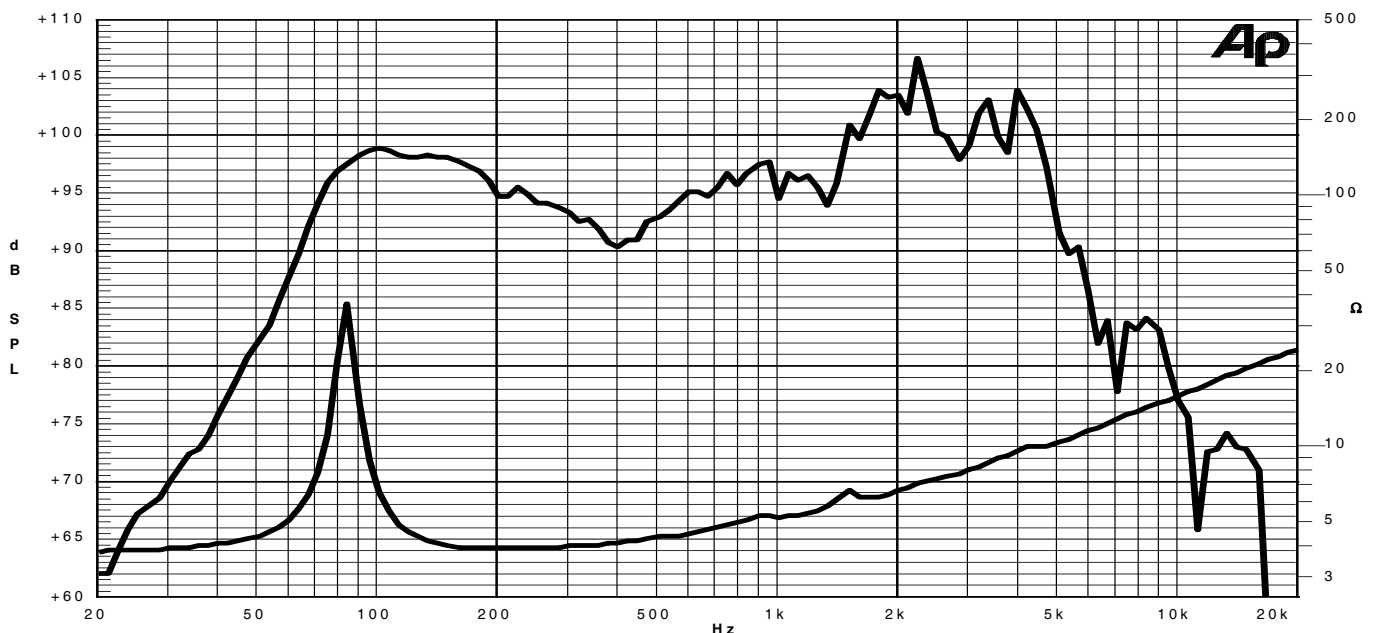
ELECTRICAL CHARACTERISTICS

Nominal Impedance.....	4	Ω
Musical Power	100	W
Rated Power*	50	W
Sensitivity @ 1 W, 1 m	95.4	dB



*rated power measured with 2 hours test with pink noise signal, 6 dB crest factor, loudspeaker mounted on enclosure
Thiele-Small parameters measured with LASER system

Frequency Response on IEC Baffle (DIN 45575) @ 1 W, 1 m - Free Air Impedance



Due to continuing product improvement, the features and the design are subject to change without notice.

27/03/14