

12"- 70W Ceramic Guitar Loudspeaker

CH 12/35 - 8 Ω

Code ZJ06200

GENERAL CHARACTERISTICS

Nominal Overall Diameter	306	mm
Nominal Voice Coil Diameter	25	mm
Magnet Weight	280	g
Flux Density.....	0.95	T
Weight.....	1.38	Kg

THIELE-SMALL PARAMETERS

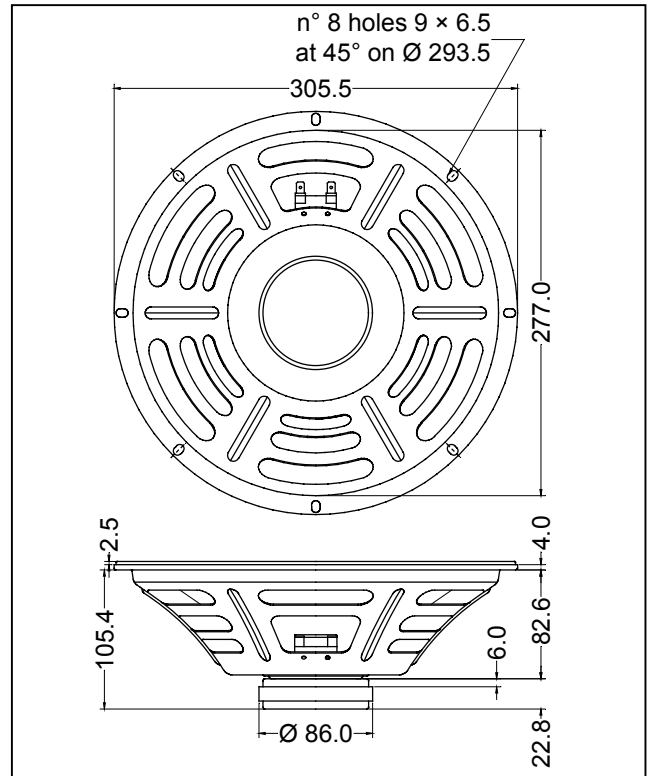
Voice Coil DC Resistance	R_E	6.71	Ω
Resonance Frequency	f_s	73.5	Hz
Mechanical Q Factor.....	Q_{MS}	17.09	
Electrical Q Factor.....	Q_{ES}	1.69	
Total Q Factor	Q_{TS}	1.54	
Mechanical Moving Mass	M_{MS}	29.1	g
Mechanical Compliance	C_{MS}	161	μm/N
Force Factor	$B \times l$	7.30	Wb/m
Equivalent Acoustic Volume.....	V_{AS}	54.4	lt.
Maximum Linear Displacement	X_{MAX}	+/-1.0	mm
Reference Efficiency	η_0	1.23	%
Diaphragm Area	S_D	490.9	cm ²
Losses Electrical Resistance.....	R_{ES}	67.7	Ω
Voice Coil Inductance @ 1kHz	L_E	1.14	mH

CONSTRUCTIVE CHARACTERISTICS

Magnet.....	Ferrite
Voice Coil Winding.....	Copper
Voice Coil Former.....	Epotex
Cone	Paper
Surround.....	Paper - Integrated
Dust Dome	Non Treated Cloth
Basket	Pressed Sheet Steel

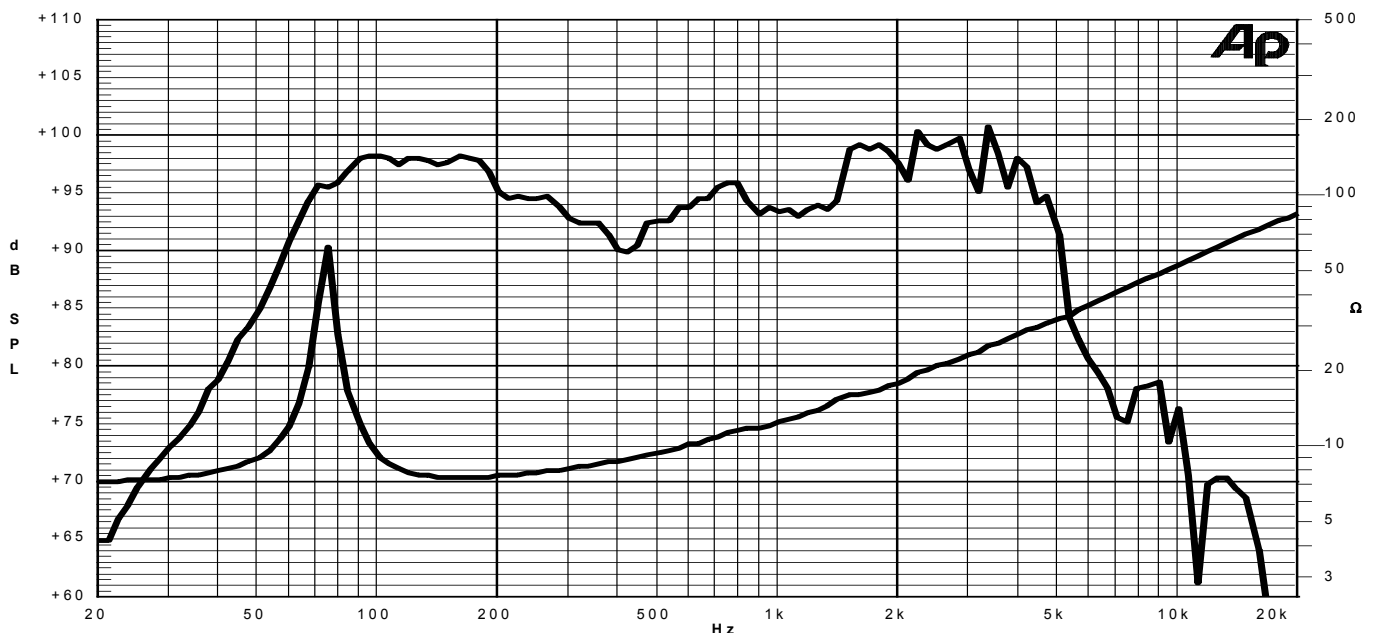
ELECTRICAL CHARACTERISTICS

Nominal Impedance.....	8	Ω
Musical Power	70	W
Rated Power*	35	W
Sensitivity @ 1 W, 1 m	93.7	dB



*rated power measured with 2 hours test with pink noise signal, 6 dB crest factor, loudspeaker mounted on enclosure

Frequency Response on IEC Baffle (DIN 45575) @ 1 W, 1 m - Impedance



Due to continuing product improvement, the features and the design are subject to change without notice.

01/08/08