



iRig[®] Mic HD 2

Digital microphone for iOS, USB

USER MANUAL

English

Español



iRig[®] Mic HD 2

Digital microphone for iOS, USB

USER MANUAL

Table of Contents

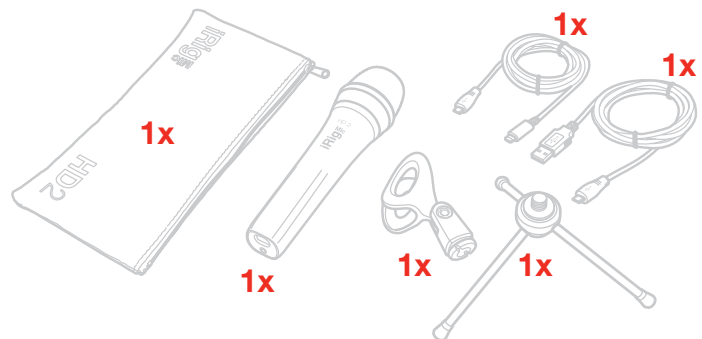
Contents	2
English	3
iRig Mic HD 2	3
Register your iRig Mic HD 2	3
Installation and setup	4
iOS Devices	4
Mac	6
iRig Mic HD 2 status LED	6
Setting optimal gain on iRig Mic HD 2	7
Usage Note	7
Signal Flow	7
Cardioid unidirectional pickup pattern	8
Proximity effect	8
Recording Applications	8
Vocals and speech	8
Acoustic instruments	8
An all around microphone	9
Troubleshooting	9
Specifications	9
Warranty	10
Support and more info	10

iRig Mic HD 2

Thank you for purchasing iRig Mic HD 2, the high-quality, universal digital hand-held microphone for iPhone, iPad, Mac and PC.

Your package contains

- iRig Mic HD 2
- Protective zippered storage bag
- Mic clamp
- 5/8" to 3/8" thread adapter
- Micro USB to Lightning cable
- Micro USB to USB cable
- Table tripod
- Quick Start Guide
- Registration Card



iRig Mic HD 2 is the sequel to iRig Mic HD, the first Handheld, universal digital microphone for iPhone, iPad, iPod touch, Mac/PC. Featuring 24-bit output, and connectivity with iOS and Mac/PC, iRig Mic HD 2 offers unmatched quality and versatility. Equipped with a high-quality cardioid electret condenser capsule, a 24-bit audiophile-grade A/D converter, a 44.1 - 48 kHz - 96kHz sampling rate, and a low noise/high definition preamp, iRig MIC HD 2 captures high-quality audio in a way that suits the most demanding professional needs. iRig Mic HD 2 is the ideal mic solution for a wide range of applications including recording speech, vocals, acoustic instruments, guitar amps, and more. Its comfortable handheld design is perfect for singers and musicians, but also interviewers, broadcaster and presenters. iRig Mic HD 2 also offers an headphone output with volume control to be ready to use with new iPhone 7.

The new iRig Mic HD 2 sports an higher quality Gold-sputtered capsule and a full set of accessories such as: a carrying pouch, a clamp and table tripod.

Register your iRig Mic HD 2

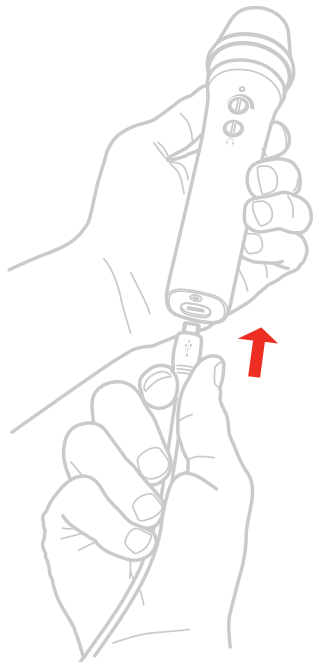
By registering, you can access technical support, activate your warranty and receive free JamPoints™ which will be added to your account. JamPoints™ allow you to obtain discounts on future IK purchases! Registering also keeps you informed of all the latest software updates and IK products.

Register at: www.ikmultimedia.com/registration

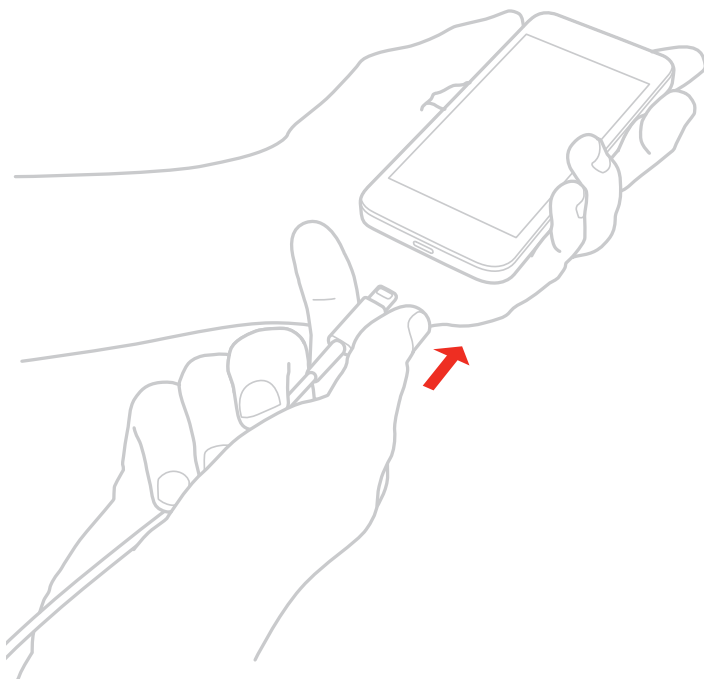
Installation and setup

iOS Devices

1. Connect the included Lightning cable to the Micro USB port on iRig Mic HD 2.



2. Connect the Lightning cable to the connector on your iOS device.



- Download your preferred audio processing or recording app like VocaLive, AmpliTube or iRig Recorder, and launch it.

**Pro Bundle for iRig Recorder, Mic Pack for VocaLive (iOS),
Mic Room (Mac/PC/iOS), T-RackS Classic
and Ableton® Live 9 Lite (Mac/PC)**

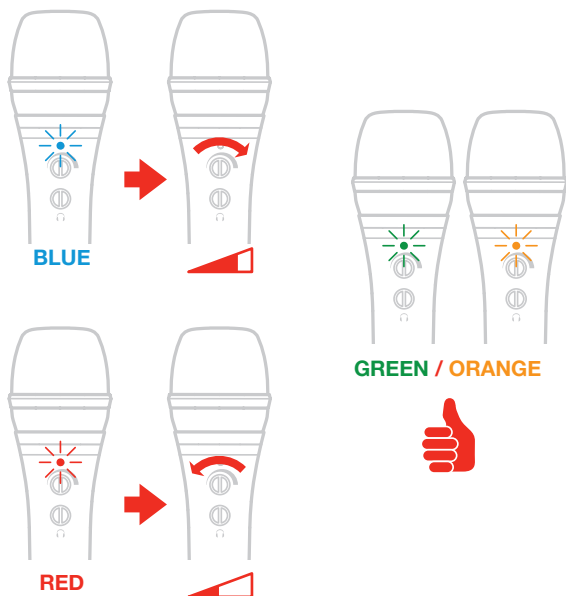


FREE DOWNLOAD



ikdownloads.com/irigmichd2

- Start talking or singing into iRig Mic HD 2, then adjust the input level as required using the gain knob.



5. Connect your headphones to the headphones port on the iRig Mic HD 2 and adjust its level with the dedicated knob.



Mac

1. Connect the included Micro USB to USB cable to iRig Mic HD 2.
2. Connect the USB cable to a free USB port on your Mac.
3. Launch any Core Audio-compatible application and select iRig Mic HD 2 as the input device from the audio preferences.
4. Start talking or singing into iRig Mic HD 2 , and then adjust the input level as required using the gain knob.
5. Connect your headphones to the headphones port on the iRig Mic HD 2 and adjust its level with the dedicated knob.

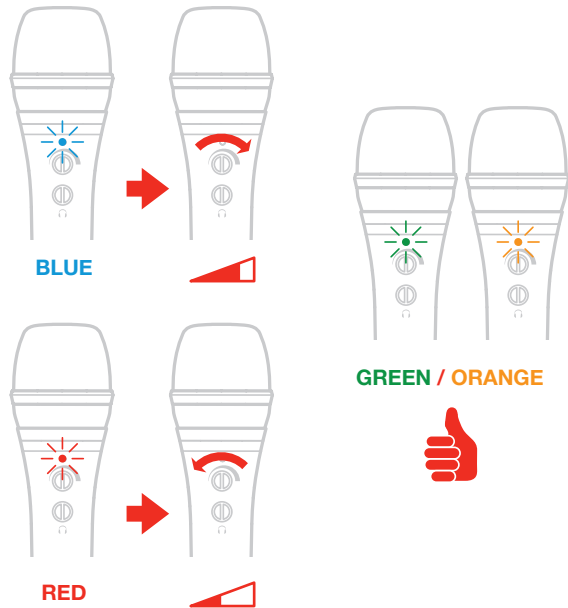
iRig Mic HD 2 status LED

The multicolor LED on iRig Mic HD 2 gives you important information about the iRig Mic HD 2's operating status. Each status is indicated by a different color:

- LED is **off**: iRig Mic HD 2 is not connected to any power source.
- LED is **bright blue**: iRig Mic HD 2 is connected and active.
- LED is **green**: iRig Mic HD 2 is active and the input signal is low.
- LED is **orange**: iRig Mic HD 2 is active and the input signal is OK.
- LED is **red**: iRig Mic HD 2 is active and the input signal is too high.

Setting optimal gain on iRig Mic HD 2

When talking or singing on iRig Mic HD 2 check status LED.



- If the LED is alternating between BLUE and GREEN or is always BLUE or GREEN, you should increase the iRig Mic HD 2 input gain by rotating the level control clockwise.
- If the LED is sometimes flashing RED you should decrease the iRig Mic HD 2 input level by rotating the gain control counterclockwise.
- When your level setting is optimal, the LED should alternate between GREEN and ORANGE while you talk or sing.

Please note the iRig Mic HD 2 gain control is intentionally slightly recessed to minimize the risk of accidental level changes during usage.

Usage Note

Signal Flow

iRig Mic HD 2 employs only quality electronic components. It's diaphragm (the mic capsule) converts sound into electrical energy which is then amplified as accurately as possible and with minimal coloration. This analog signal is then passed off to the microphone's digital conversion circuitry which converts the analog signal into digital data that can be understood by computers or iPads/iPhones. All these features make iRig Mic HD 2 the ideal microphone for recording vocals, podcasts and acoustic instruments on-the-go or in the studio.

Cardioid unidirectional pickup pattern

iRig Mic HD 2 has a cardioid (unidirectional) pickup pattern. This design means that it primarily picks up sounds arriving in front of the microphone as opposed to from the sides or behind, this minimizes the risk of feedback. This makes it ideal for capturing singing, vocals, speech, instruments and interviews.

TIP: The built-in microphone of your mobile device is great for general recordings thanks to its “omnidirectional” pickup pattern. This means that sounds coming from all directions are captured almost equally. For this reason the iRig Mic HD 2 is a great choice when increased clarity and isolation from unwanted sound is required.

Proximity effect

iRig Mic HD 2 is unidirectional, therefore it changes its response to low frequencies depending on the distance from the sound source.

If you want more warmth and bass (fuller, bigger voices, for example), speak or sing very close to the microphone, just a few inches or even less.

If you are searching for a lighter and brighter sound, speak or sing at a further distance from the microphone, greater than 10 inches/25 centimeters.

This rule not only applies to vocals, the microphone will also respond this way with all instruments and sound sources.

Recording Applications

Vocals and speech

iRig Mic HD 2 is a great microphone for recording voice and speech — like interviews. As said, the proximity effect allows you to model the sound of your recording. The closer you get to the mic, the more warmth and bass you’ll get. For a “big” vocal sound with maximum presence, get the vocalist within one to three inches of the capsule (microphone head). The internal built-in windscreen helps avoid plosives at this close range. For a lighter sound, place iRig Mic HD 2 further from the vocalist.

The acoustic environment play a key role in the success of a good recording. A room with carpet and curtains will cause much less reverberation in your vocals, making the recording sound more dry this allows your recording to be more easily manipulated during the mixing process. By contrast, a room with glass surfaces, marble, wood floors or tile will yield natural reverb, which may be pleasing to the ear but difficult to remove at a later time, and make your recording more difficult to mix.

Use iRig Mic HD 2 to record speech and interviews on-the-go with incredible sound quality.

Acoustic instruments

Thanks to its features and its high-quality components, iRig Mic HD 2 can also be used for recording acoustic instruments with studio-quality sound. For example, place iRig Mic HD 2 so that it’s facing the neck of an acoustic guitar— right where the neck joins the body (usually around the 12th or 14th frets) — for a balanced sound with plenty of sparkling high-end. Place the microphone in front of the soundhole to capture a blend of low-end. Or, for more high-end detail, place the microphone farther from the guitar either at the same neck

position or above the instrument near the guitarist's head. Experiment with different positions and reach the sound you want.

An all around microphone

What do you want to record with your iRig Mic HD 2? Thanks to its wide gain range it is possible to record an extremely broad range of instruments: guitar amplifiers, drums, wind instruments — you name it, iRig Mic HD 2 is a true all-around microphone.

Troubleshooting

Sound is distorted.

Check that the input level on iRig Mic HD 2 has been set properly. If the red LED is lighting when you talk or sing decrease the input level as described in this guide.

The iRig Mic HD 2 status LED is always dark blue and I don't get any sound.

In order for iRig Mic HD 2 to turn on, a Core Audio-compatible audio app must first be launched on your iOS device or Mac.

iOS: Be sure you are using an app that works with digital audio input from the Lightning dock connector.

Mac: Be sure you have set "iRig Mic HD 2" as the audio input device on the audio app you are using.

Specifications

Microphone Type: condenser, electret

Polar Pattern: cardioid

Interface Type: USB digital microphone with a built-in low-noise, high-definition preamp.

Conversion: 24-bit A/D, 24-bit D/A

Sampling Rate: 44.1 kHz, 48 kHz, 88.2 kHz and 96 kHz

Frequency Response: 20 Hz - 20 kHz, -3dB

Maximum Sound Pressure: 125 dB

Sensitivity: -40 dB, 10mV/Pa

Windscreen: built-in

Sensitivity: adjustable over a 40 dB range

Built-in low profile gain control

Built-in multicolor LED for status and audio level indication

Connector Type: standard Micro-USB

Headphones output: 1/8" TRS jack

Power and Connection: works with iOS and Mac/PC computer

Warranty

Please visit:

www.ikmultimedia.com/warranty

for the complete warranty policy.

Support and more info

www.ikmultimedia.com/support

www.irigmichd2.com

Apple is not responsible for the operation of this device or its compliance with safety and regulatory standards.



FCC statement

This device complies with Part 15.107 and 15.109 Class B of the FCC Rules CFR47: October 2010.
Operation is subject to the following two conditions:

1. This device may not cause harmful interference.
2. This device must accept any interference received, including interference that may cause undesired operation.

Changes or modifications not expressly approved by the party responsible for compliance could void the user's authority to operate the equipment.



"Made for iPod," "Made for iPhone," and "Made for iPad" mean that an electronic accessory has been designed to connect specifically to iPod, iPhone, or iPad, respectively, and has been certified by the developer to meet Apple performance standards. Apple is not responsible for the operation of this device or its compliance with safety and regulatory standards. Please note that the use of this accessory with iPod, iPhone, or iPad may affect wireless performance.

iRig® Mic HD 2, AmpliTube®, EZ Voice™, iRig® Recorder, VocaLive® are trademarks property of IK Multimedia Production Srl. iPad, iPhone, iPod touch, Retina, Mac and GarageBand are trademarks of Apple Inc., registered in the U.S. and other countries. iPad Air, iPad mini, and Lightning are trademarks of Apple Inc. All other trademarks are property of their respective owners.



iRig[®] Mic HD 2

Micrófono digital USB para iOS

MANUAL DE USUARIO

Tabla de Contenidos

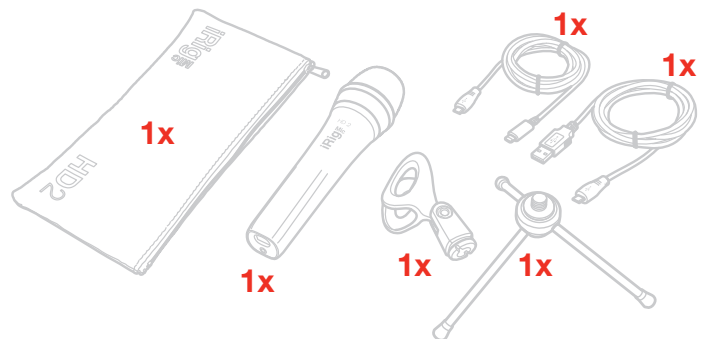
Contenidos	2
Español	3
iRig Mic HD 2	3
Registra tu iRig Mic HD 2	3
Instalación y configuración	4
Dispositivos iOS	4
Mac	6
LED de estado de iRig Mic HD 2	6
Configuración de ganancia óptima en iRig Mic HD 2	7
Nota de uso	7
Flujo de señal	7
Patrón de captura unidireccional cardioide	8
Efecto de proximidad	8
Aplicaciones de grabación	8
Voces y locución	8
Instrumentos acústicos	9
Un micrófono para todo	9
Solución de problemas	9
Especificaciones	9
Garantía	10
Soporte y más información	10

iRig Mic HD 2

Gracias por comprar iRig Mic HD 2, el micrófono de mano digital universal de alta calidad para iPhone, iPad, Mac y PC.

Tu paquete contiene

- iRig Mic HD 2
- Bolsa de protección con cremallera
- Soporte de micrófono
- Adaptador de rosca de 5/8" a 3/8"
- Cable Micro USB a Lightning
- Cable Micro USB a USB
- Trípode de mesa
- Tarjeta de registro



iRig MIC HD 2 es la secuela de iRig MIC HD, el primer micrófono digital universal para iPhone, iPad, iPod Touch, Mac/PC. Con una salida de 24 bits y conectividad con iOS y MAC/PC, iRig MIC HD 2 ofrece una calidad y versatilidad inigualables. Equipado con una cápsula de condensador electret cardioide de alta calidad, un convertidor A/D de audiófilo de 24 bits, una frecuencia de muestreo de 44.1 kHz - 48 kHz - 96 kHz, y un preamplificador de ruido bajo/alta definición, iRig Mic HD 2 captura audio de alta calidad de una manera que se adapta a las necesidades profesionales más exigentes. iRig Mic HD 2 es la solución de micrófono ideal para un amplio rango de aplicaciones que incluyen grabación de locuciones, voces, instrumentos acústicos, amplificadores de guitarra y más. Su diseño de mano cómodo es perfecto para cantantes y músicos, pero también para periodistas y presentadores. iRig Mic HD 2 también ofrece una salida de auriculares con control de volumen y está listo para usarlo con el nuevo iPhone 7.

El nuevo iRig MIC HD 2 cuenta con una cápsula bañada en oro de mayor calidad y un conjunto de accesorios completo como: una bolsa para llevarlo, un soporte y un trípode de mesa.

Registra tu iRig Mic HD 2

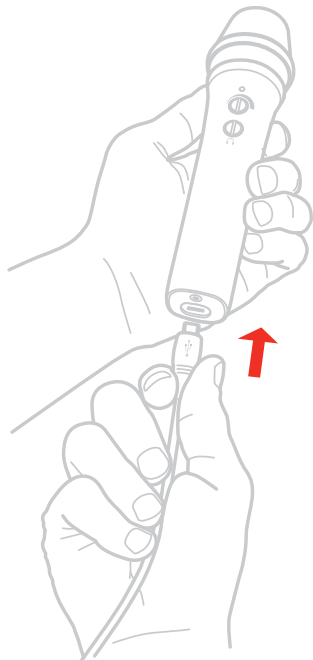
Al registrarlo puedes acceder al soporte técnico, activar tu garantía y recibir JamPoints™ gratis que se agregarán a tu cuenta. ¡Los JamPoints™ te permiten obtener descuentos en compras futuras de IK! El registro también te mantiene informado de las actualizaciones de software y productos más recientes de IK.

Regístralo en: www.ikmultimedia.com/registration

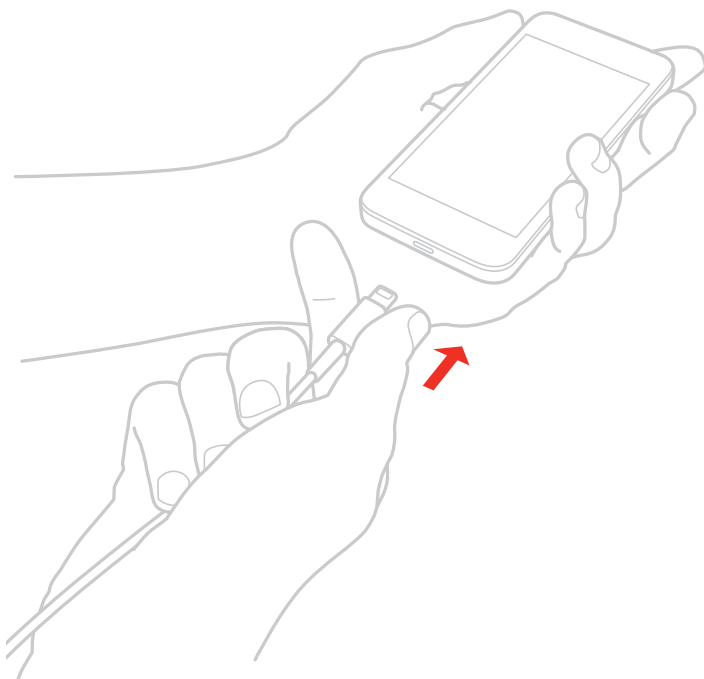
Instalación y configuración

Dispositivos iOS

1. Conecta el cable de Lightning incluido al puerto Micro USB en iRig Mic HD 2.



2. Conecta el cable Lightning al conector de tu dispositivo iOS.



3. Descarga tu app de procesamiento de audio o grabación preferida como VocaLive, AmpliTube o iRig Recorder, y ábrela.

**Pro Bundle for iRig Recorder, Mic Pack for VocaLive (iOS),
Mic Room (Mac/PC/iOS), T-RackS 4 Classic
and Ableton® Live 9 Lite (Mac/PC)**

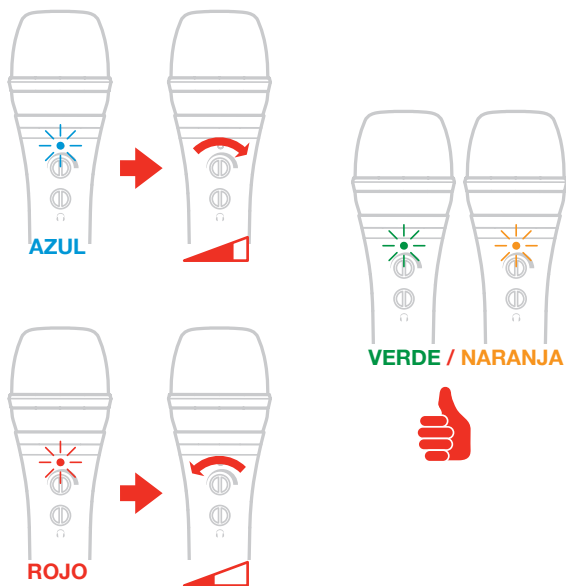


DESCARGA GRATIS

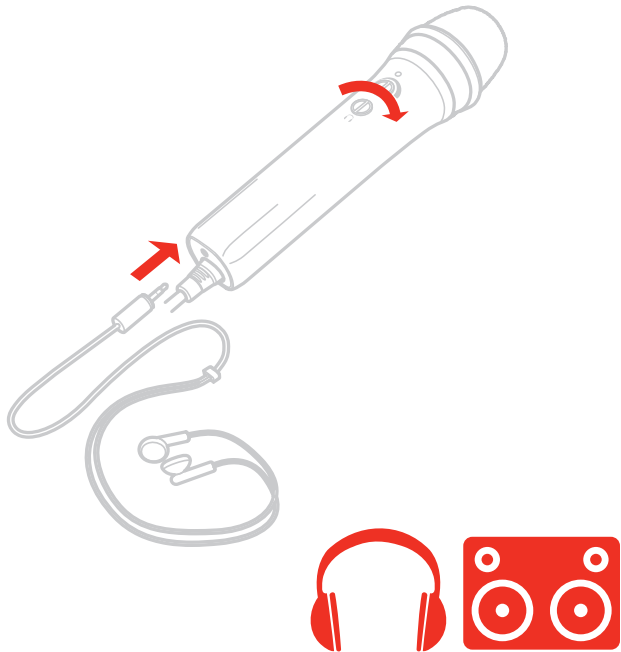


ikdownloads.com/irigmichd2

4. Start talking or singing into iRig Mic HD 2, then adjust the input level as required using the gain knob.



5. Conecta tus auriculares al puerto de auriculares en iRig Mic HD 2 y ajusta su nivel con la perilla dedicada.



Mac

1. Conecta el cable Micro USB a USB incluido a iRig Mic HD 2.
2. Conecta el cable USB a un puerto USB libre en tu Mac.
3. Inicia cualquier aplicación compatible con Core Audio y selecciona iRig Mic HD 2 como dispositivo de entrada en las preferencias de audio.
4. Empieza a hablar o cantar en iRig Mic HD 2, y luego ajusta el nivel de entrada según sea necesario usando la perilla dedicada.
5. Conecta tus auriculares al puerto de auriculares en iRig Mic HD 2 y ajusta su nivel con la perilla dedicada.

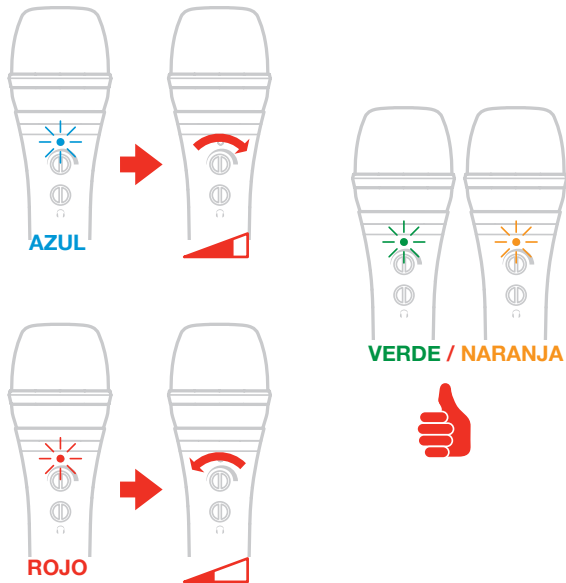
LED de estado de iRig Mic HD 2

El LED multicolor en iRig MIC HD 2 te da información importante sobre el estado operativo de iRig Mic HD 2. Cada estado se indica por un color diferente:

- LED **apagado**: iRig Mic HD 2 no está conectado a ninguna fuente de energía.
- LED **azul brillante**: iRig Mic HD 2 está conectado y activo.
- LED **verde**: iRig Mic HD 2 está activo y la señal de entrada es baja.
- LED **naranja**: iRig Mic HD 2 está activo y la señal de entrada está bien.
- LED is **rojo**: iRig Mic HD 2 está activo y la señal de entrada es demasiado alta.

Configuración de ganancia óptima en iRig Mic HD 2

Cuando hables o cantes en iRig Mic HD 2 revisa el LED de estado.



- Si el LED está alternando entre AZUL y VERDE o siempre es AZUL o VERDE, debes incrementar la ganancia de entrada de iRig Mic HD 2 girando el control de nivel en sentido horario.
- Si el LED a veces se enciende intermitentemente en ROJO, debes disminuir el nivel de entrada de iRig Mic HD 2 girando el control de ganancia en sentido antihorario.
- Cuando tu configuración de nivel es óptima, el LED debería alternar entre VERDE y NARANJA mientras hablas o cantas.

Por favor, ten en cuenta que el control de ganancia de iRig Mic HD 2 intencionalmente está ligeramente empotrado para minimizar el riesgo de cambios de nivel accidentales durante su uso.

Nota de uso

Flujo de señal

iRig Mic HD 2 solo emplea componentes electrónicos de calidad. Su diafragma (la cápsula del micrófono) convierte sonido en energía eléctrica que luego se amplifica con la mayor precisión posible y con la mínima coloración. Esta señal analógica luego pasa al circuito de conversión digital del micrófono que convierte la señal analógica en datos digitales que pueden ser entendidos por ordenadores o iPads/iPhones. Todas estas características hacen que iRig Mic HD 2 sea el micrófono ideal para grabar voces, podcasts e instrumentos acústicos en la marcha o en el estudio.

Patrón de captura unidireccional cardioide

iRig Mic HD 2 tiene un patrón de captura cardioide (unidireccional). Este diseño significa que captura principalmente los sonidos que llegan al frente del micrófono en lugar de los lados o por detrás, esto minimiza el riesgo de retroalimentación. Esto lo hace ideal para capturar voces cantadas, discursos, locuciones, instrumentos y entrevistas.

Sugerencia: el micrófono incorporado de tu dispositivo móvil es ideal para grabaciones generales gracias a su patrón de captura “omnidireccional”. Esto significa que los sonidos provenientes de todas las direcciones son capturados de igual forma. Por esta razón, iRig Mic HD 2 es una opción grandiosa cuando se requiere mayor claridad y aislamiento de sonidos no deseados.

Efecto de proximidad

iRig Mic HD 2 es unidireccional. Por lo tanto, su respuesta a las bajas frecuencias cambia dependiendo de la distancia de la fuente sonora.

Si quieres más calidez y bajos (voces más completas y más grandes, por ejemplo), habla o canta muy cerca del micrófono, a pocos centímetros o incluso menos.

Si estás buscando un sonido más ligero y más brillante, habla o canta a más distancia del micrófono, mayor a 10 pulgadas/25 centímetros.

Esta regla no solo aplica para voces, el micrófono también responderá de esta forma con todos los instrumentos y fuentes sonoras.

Aplicaciones de grabación

Voces y locución

iRig Mic HD 2 es un gran micrófono para grabar voces y locuciones — como entrevistas. Como se dijo, el efecto de proximidad te permite modelar el sonido de tu grabación. Cuanto más cerca estés del micrófono, más calidez y bajos obtendrás. Para un sonido vocal “grande” con la máxima presencia, ubica al vocalista a una distancia entre tres pulgadas de la cápsula (la cabeza de micrófono). El cortaviento interno incorporado ayuda a evitar consonantes explosivas en este rango cercano. Para lograr un sonido más ligero, ubica el iRig Mic HD 2 más lejos del vocalista.

El entorno acústico desempeña un papel clave en el éxito de una buena grabación. Una sala con alfombra y cortinas causará mucha menos reverberación en tus voces, haciendo que el sonido de la grabación sea más seco, esto permite que tu grabación se manipule más fácilmente durante el proceso de mezcla. Por el contrario, una sala con superficies de vidrio, mármol, pisos de madera o azulejos producirá una reverberación natural que puede ser agradable al oído, pero difícil de eliminar posteriormente, y hacer que tu grabación sea más difícil de mezclar.

Usa iRig Mic HD 2 para grabar locuciones y entrevistas en la marcha con calidad de sonido increíble.

Instrumentos acústicos

Gracias a sus características y sus componentes de alta calidad, iRig Mic HD 2 también se puede utilizar para grabar instrumentos acústicos con sonido de calidad de estudio. Por ejemplo, ubica iRig Mic HD 2 dirigido al cuello de una guitarra acústica — justo donde el cuello se une al cuerpo (generalmente alrededor de los trastes 12 ó 14) — para lograr un sonido balanceado con gran cantidad de frecuencias altas brillantes. Ubica el micrófono frente a la boca para capturar una mezcla de frecuencias bajas. O, para obtener más detalles en las frecuencias altas, ubica el micrófono más lejos de la guitarra en la misma posición del cuello o arriba del instrumento cerca de la cabeza del guitarrista. Experimenta con diferentes posiciones y logra el sonido que quieres.

Un micrófono para todo

¿Qué quieres grabar con tu iRig Mic HD 2? Gracias a su amplio rango de ganancia, es posible grabar una cantidad extremadamente amplia de instrumentos: amplificadores de guitarra, batería, instrumentos de viento — lo que quieras, iRig Mic HD 2 es un micrófono realmente para todo.

Solución de problemas

Sonido distorsionado.

Revisa que el nivel de entrada en iRig Mic HD 2 se haya configurado correctamente. Si el LED rojo se enciende cuando hablas o cantas, reduce el nivel de entrada como se describe en esta guía.

El LED de estado de iRig Mic HD 2 siempre está en azul oscuro y no obtengo ningún sonido.

Para que iRig Mic HD 2 se encienda, primero debes iniciar una aplicación de audio compatible con Core Audio en tu dispositivo iOS o Mac.

iOS: asegúrate de estar usando una aplicación que funcione con entrada de audio digital desde el puerto de conexión Lightning.

Mac: asegúrate de haber configurado “iRig Mic HD 2” como dispositivo de entrada de audio en la aplicación de audio que estás utilizando.

Especificaciones

Tipo de micrófono: condensador electret

Patrón polar: cardioide

Tipo de interfaz: micrófono digital USB con preamplificador de alta definición y ruido bajo incorporado

Conversión: A/D de 24 bits, D/A de 24 bits

Frecuencia de muestreo: 44.1 kHz, 48 kHz, 88.2 kHz y 96 kHz

Respuesta de frecuencia: 20 Hz - 20 kHz, -3dB

Presión sonora máxima: 125 dB

Sensibilidad: -40 dB, 10mV/Pa

Cortaviento: incorporado

Sensibilidad: ajustable en un rango de 40 dB

Control de ganancia de bajo perfil incorporado

LED multicolor incorporado para indicación de estado y nivel de audio

Tipo de conector: estándar Micro-USB

Salida de auriculares: conector TRS de 1/8"

Energía y conexión: funciona con iOS y ordenadores Mac/PC

Garantía

Por favor visita:

www.ikmultimedia.com/warranty

para conocer la política de garantía completa.

Soporte y más información

www.ikmultimedia.com/support

www.irigmichd2.com

Apple no es responsable del funcionamiento de este dispositivo ni de su cumplimiento con los estándares reglamentarios y de seguridad.



FCC statement

This device complies with Part 15.107 and 15.109 Class B of the FCC Rules CFR47: October 2010.
Operation is subject to the following two conditions:

1. This device may not cause harmful interference.
2. This device must accept any interference received, including interference that may cause undesired operation.

Changes or modifications not expressly approved by the party responsible for compliance could void the user's authority to operate the equipment.



"Made for iPod," "Made for iPhone," and "Made for iPad" mean that an electronic accessory has been designed to connect specifically to iPod, iPhone, or iPad, respectively, and has been certified by the developer to meet Apple performance standards. Apple is not responsible for the operation of this device or its compliance with safety and regulatory standards. Please note that the use of this accessory with iPod, iPhone, or iPad may affect wireless performance.

iRig® Mic HD 2, AmpliTube®, EZ Voice™, iRig® Recorder, VocaLive® are trademarks property of IK Multimedia Production Srl. iPad, iPhone, iPod touch, Retina, Mac and GarageBand are trademarks of Apple Inc., registered in the U.S. and other countries. iPad Air, iPad mini, and Lightning are trademarks of Apple Inc. All other trademarks are property of their respective owners.