

Potted 600VA Transformer



Features

- Potted core
- Earth screening
- Thermal cut-off at 130°C
- 115VAC/230VAC configurable
- Dimensions 132mm x 83mm
- Weighs 4.2kg

Application

Single UcD700HG (two max). Use with Hypex supplies is recommended

Description

The TR700 is a 600VA double insulated potted toroidal transformer with earth screening for use with a single UcD700 (two max) It has two pairs of primary windings of 115V and two pairs of secondary windings: 13VAC and 61VAC and can be used in both 230VAC and 115VAC countries.

Connections

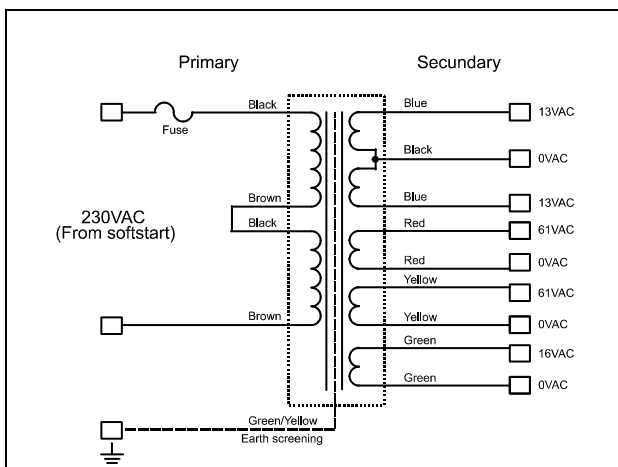


Fig 1. Connection diagram for 230VAC configuration

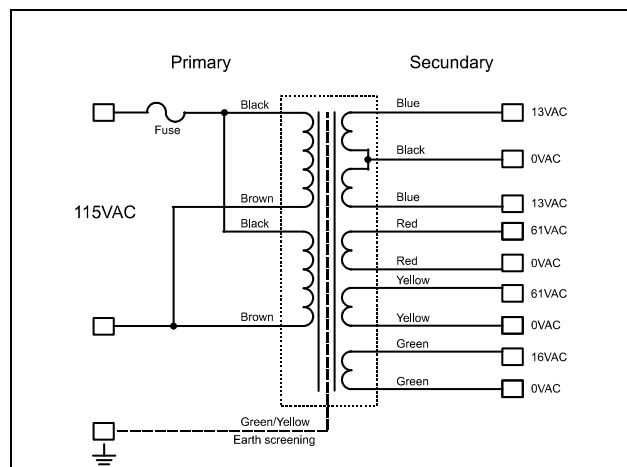


Fig 2. Connection diagram for 115VAC configuration

TR700 lead	HG Supply mono connection	Function
Blue	J10	Auxiliary supply option
Black	J14	..
Blue	J13	..
Red	J7	Amplifier main supply
Red	J9	..
Yellow	J30	..
Yellow	J31	..
Green	J11	Driver supply
Green	J12	..
Green/Yellow		Connect to safety earth