



# TR501A

Hypex Electronics

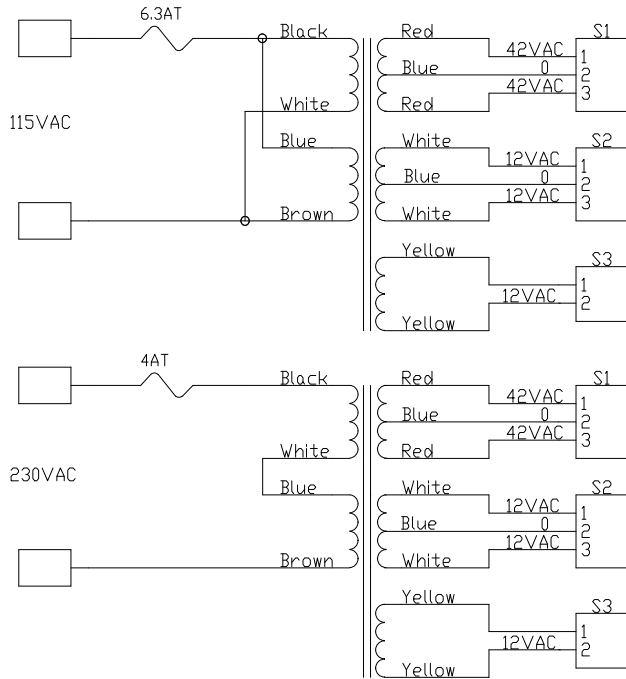
## General Description.

The TR501 is a 500VA toroidal transformer, custom made for Hypex. It's capable of powering multiple UcD400's. It has one pair of primary windings of 115V, two pairs of secondary windings: 12VAC and 42VAC. Be sure to connect the primary wires according to a diagram below to avoid phasing-problems and short-circuits. In series for 230VAC, in parallel for 115VAC. To avoid high inrush currents, which will trip standard household circuit breakers, a softstart-module is a necessity with this transformer.

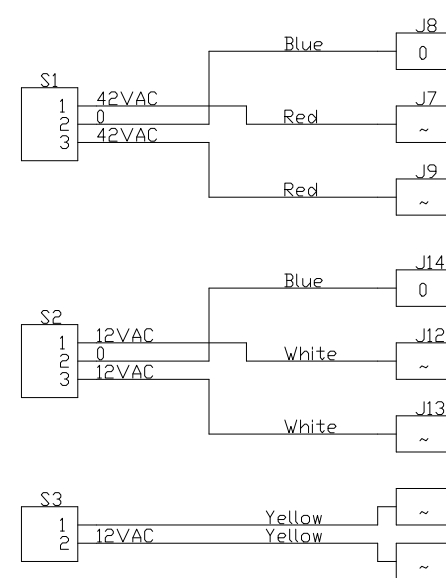
## Labeltext.

|                    |                      |
|--------------------|----------------------|
| RINGKERNTRAFO      | 500VA                |
| 0 - 115V, 0 - 115V | blk - wht, ble - brn |
| S1 : 42V - 0 - 42V | rot - blau - rot     |
| S2 : 12V - 0 - 12V | wht - ble - wht      |
| S3 : 12V - 0       | yew - yew            |

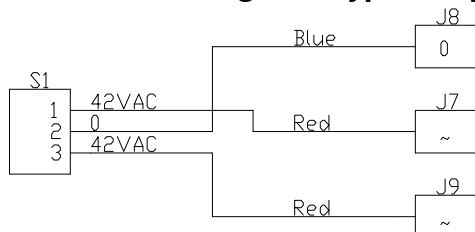
## Connection diagram primary.



## Connection diagram Hypex Supply-HG.



## Connection diagram Hypex Supply-ST.



## Connection diagram regular bridge/ electrolytic capacitors setup.

