

## Potted 160VA Transformer



### Features

- Potted core
- Earth screening
- Thermal cut-off at 130°C
- 115VAC/230VAC configurable
- Dimensions 105mm x 56mm
- Weighs 1.85kg

### Application

- Single UcD180xx (two max). Use with Hypex supplies is recommended

### Description

The TR180 is a 160VA double insulated potted toroidal transformer with earth screening for use with a single UcD180 (two max). It has two pairs of primary windings of 115V and two pairs of secondary windings: 13VAC and 30VAC and can be used in both 230VAC and 115VAC countries.

### Connections

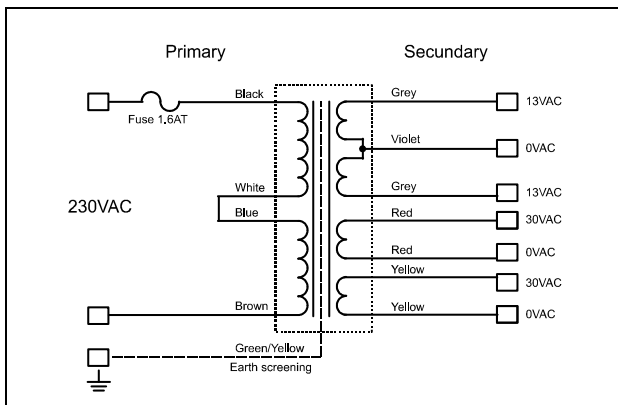


Fig 1. Connection diagram for 230VAC configuration

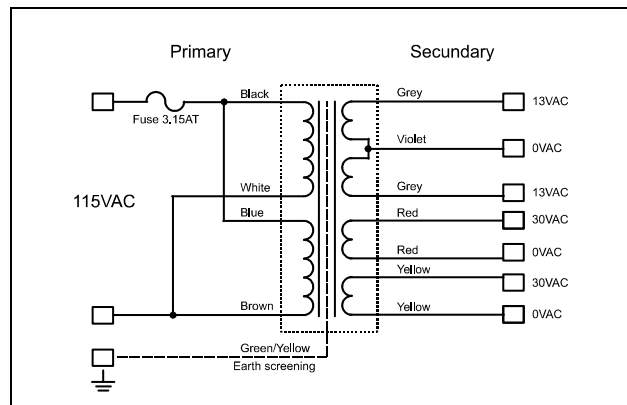


Fig 2. Connection diagram for 115VAC configuration

TR180 lead	HG Supply mono connection	HG Supply connection	Function
(Violet)	(J12)	(J12)	Auxiliary supply (option)
(Grey)	(J14)	(J14)	..
(Violet)	(J13)	(J13)	..
Red	J7	J7	Amplifier main supply
Red	J22	J8	..
Yellow	J8	J8	..
Yellow	J9	J9	..
Green/Yellow			Connect to safety earth