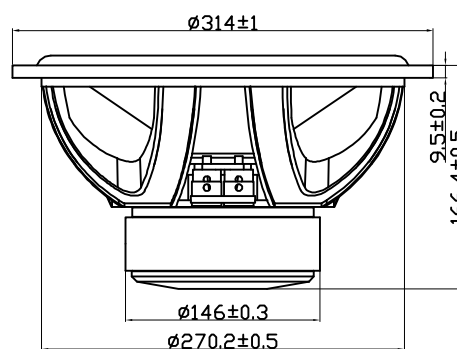
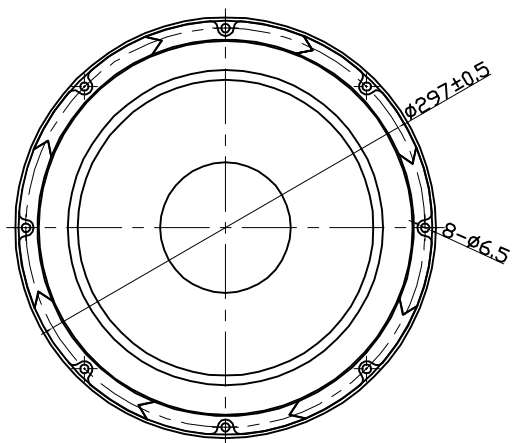


FW300 subwoofer



FEATURES

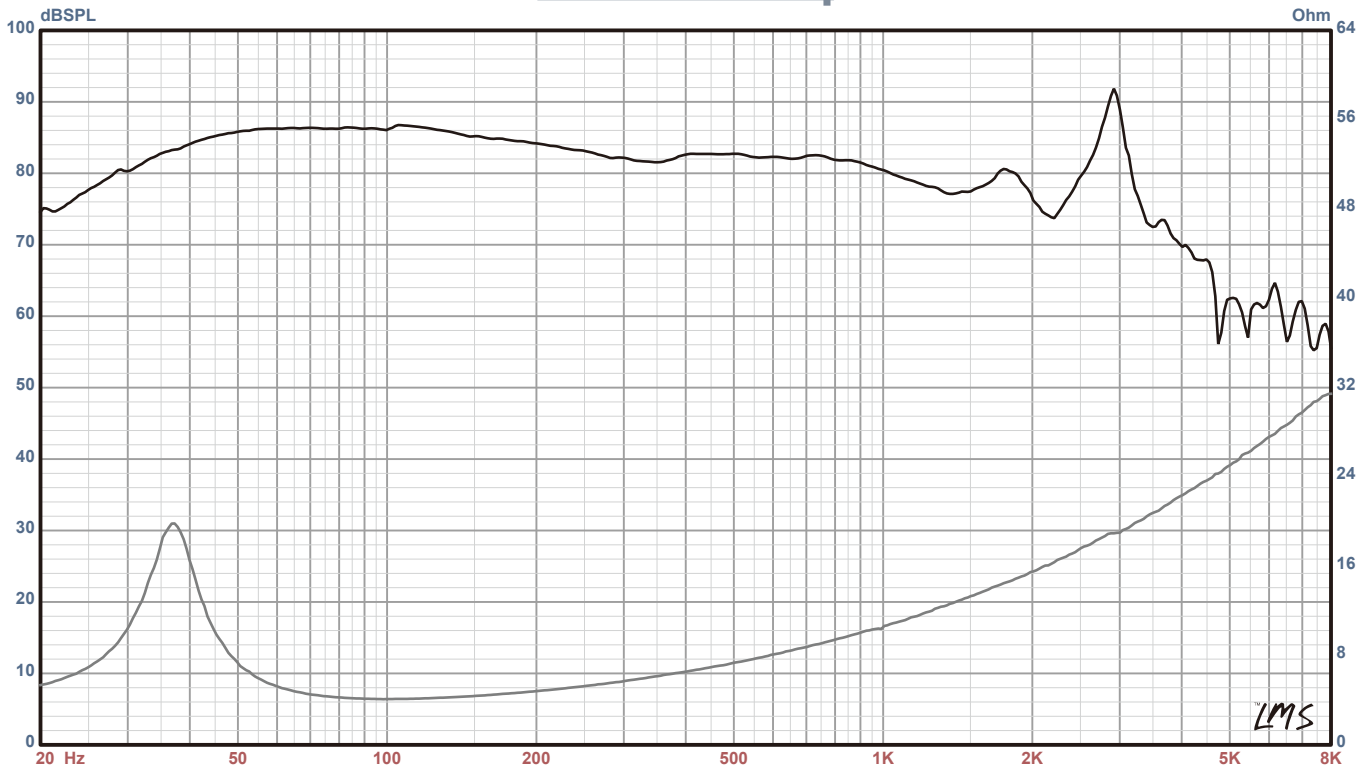
- Hard aluminum cone
- Die cast chassis
- 50mm voice coil
- Dual 4 ohm voice coil
- Inverted dust cap
- large linear excursion

Specifications			
Overall Dimensions	D314x166.4mm	Voice coil height	36.5mm
Net. Weight	6.6kgs	Voice coil former	Aluminum
Norminal power handling	600W *	Voice coil wire	round copper
Norminal impedance	8 ohms	Number of layer	4
Frequency response	31-1,000Hz	DC resistance	2x3.6ohm
Resonant frequency	38Hz	Magnet system type	ferrite
Voice Coil-magnet system		Magnetic gap height	8mm
Voice coil diameter	50mm	Max linear excursion	14.25mm +/-
T/S parameter			
Single voice coil		Dual voice coil in series	
DC resistance	3.6 ohm	DC resistance	7.2 ohm
Resonant frequency	37.247Hz	Resonant frequency	38.21Hz
Sd	530.930cm ²	Sd	530.930cm ²
BL	11.392Tm	BL	21.274Tm
Qms	4.557	Qms	4.246
Qes	0.946	Qes	0.53
Qts	0.784	Qts	0.471
SPL	86.2dB/W/M	SPL	89.1dB/W/M
Vas	50.132 litre	Vas	50.022 litre
Cms	0.125241mm/N	Cms	0.124968mm/N
Mms	145.782gm	Mms	138.83gm
Mmd	138.748gm	Mmd	131.795gm

* test standard IEC268-5 , dual voice coil

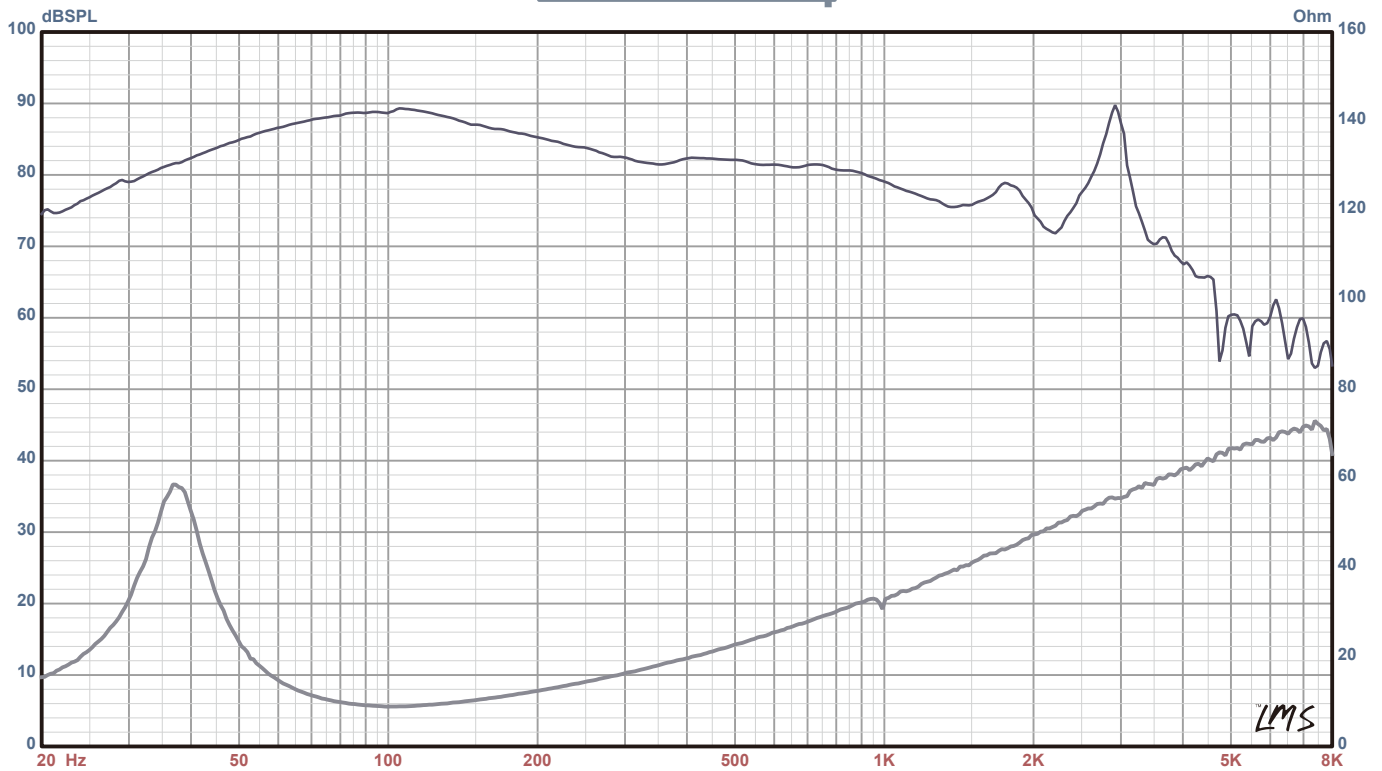


SPL vs Freq



Frequency Vs impedance - single voice coil

SPL vs Freq



Frequency Vs impedance - dual voice coil in series

www.fountek.net

email: info@fountek.net

tel: +86-573-8301 9220 fax: +86-573-8301 9221