

# 27 V2

## 270mm Polyglass subwoofer



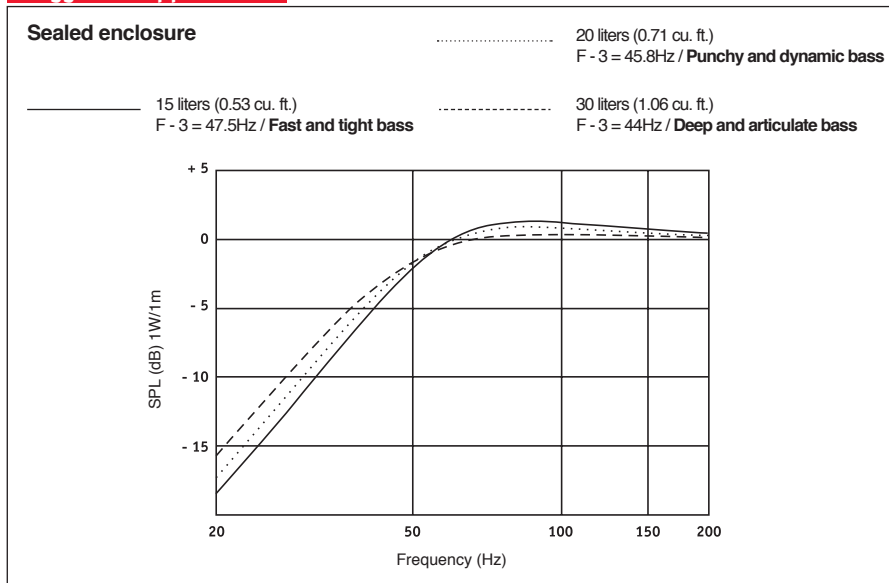
- Zamak chassis, 4 layers Kapton former voice-coil
- Polyglass cone, Butyl surround
- High power handling
- Deep frequency in small sealed box



### Specifications

Nominal power	300 W	
Maximum power	600 W	
Sensitivity	88 dB	
Cone	Polyglass	
Surround	Butyl	
Nom. impedance	2 x 4 ohms	
DC resistance	2.1 ohms	
VC diameter	65 mm	2 <sup>9/16</sup> in
VC height	32 mm	1 <sup>1/4</sup> in
Former	Aluminium	
Layers	4	
Wire	Copper	
Inductance	2 mH	
Xmax	11 mm	
Magnet d x h	155 x 40 mm	6 <sup>1/8</sup> x 1 <sup>9/16</sup> in
Magnet weight	6400 g	14.1 lb
Flux density	0.75 T	
Gap height	10 mm	3/8 in
Net weight	7.3 kg	16.31 lb

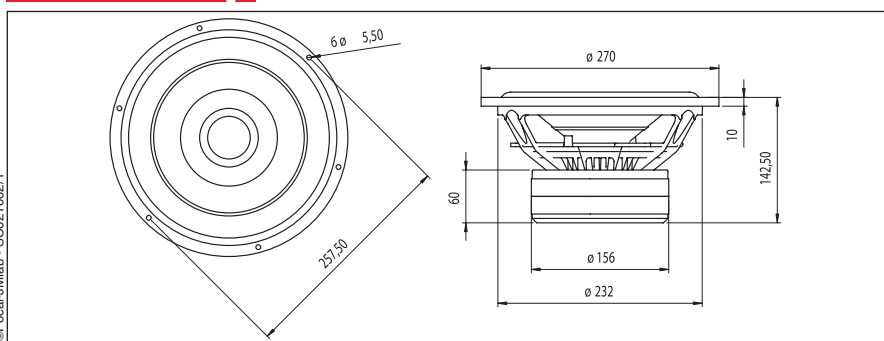
### Suggested Application



### Parameters

Fs	38.51 Hz	
Vas	21.34 l	0.754 Ft <sup>3</sup>
Qts	0.63	
Qes	0.71	
Qms	5.52	
Re	2.1 ohms	
Sd	336.54 cm <sup>2</sup>	
Cas	1.52E-07 m <sup>5</sup> /N	
Mas	112.42 kg/m <sup>4</sup>	
Ras	4927.76 ohms.ac	
Cms	1.34E-04 m/N	
Mms	127.32 g	0.28 lb
Rms	5.581 Kg/s	
Ces	1397.29 mF	
Les	12.22 mH	
Res	16.33 ohms	
Bl	9.55 N/A	
SPL	84.19 dB/W/m	

### Mechanical Drawing



### Suggested application

Load	V (l)	Fb (Hz)	F-3 (Hz)	Ql
Vented	-	-	-	-
Sealed	-	-	-	-

Focal® is a trademark of Focal-JMLab®