

130 VRS

5" Polyglass 2-way

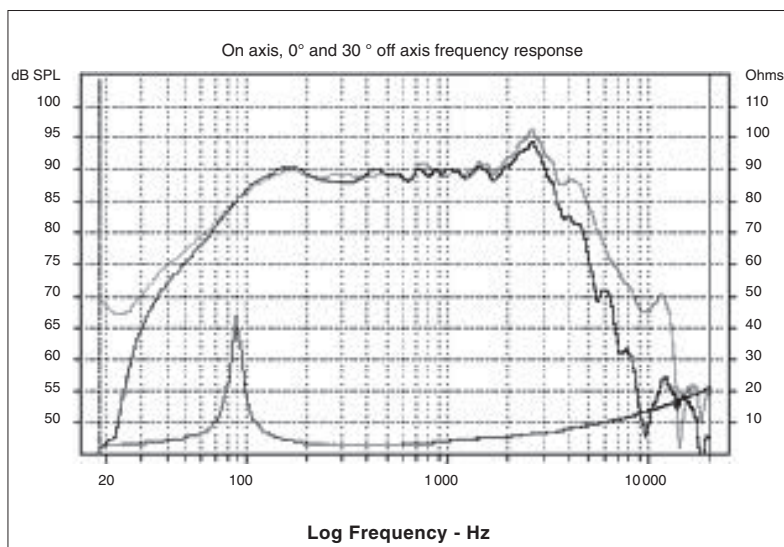
- Zamak chassis
- Polyglass cone, Butyl surround
- Neodymium magnet



Specifications

Nominal power	50 W	
Maximum power	100 W	
Sensitivity	91 dB	
Cone	Polyglass	
Surround	Butyl	
Nom. impedance	4 ohms	
DC resistance	2.9 ohms	
VC diameter	32 mm	
VC height	10 mm	
Former	Kapton	
Layers	2	
Wire	Copper	
Inductance	0.3 mH	
Xmax	3 mm	
Magnet d x h	-	
Magnet weight	-	
Flux density	1 T	
Gap height	4 mm	
Net weight	550 g	1.21 lb

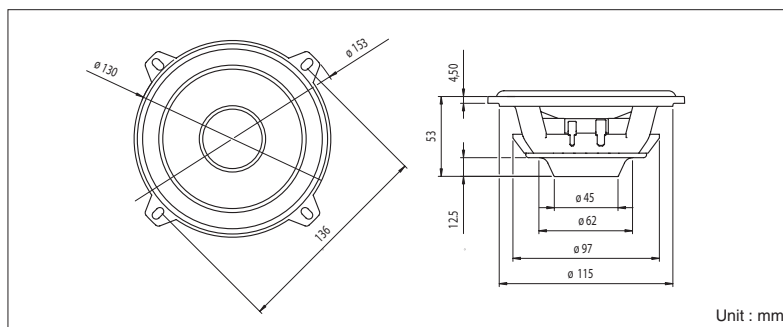
Frequency response / Impedance



Parameters

Fs	86.45 Hz	
Vas	9.55 l	0.337 Ft ³
Qts	0.599	
Qes	0.640	
Qms	9.230	
Re	2.9 ohms	
Sd	93.31 cm ²	14.46 in ²
Cas	6.80E-08 m ⁵ /N	
Mas	49.84 kg/m ⁴	
Ras	2933.24 ohms.ac	
Cms	7.81E-04 m/N	
Mms	4.34 g	0.0095 lb
Rms	0.255 Kg/s	
Ces	406.29 mF	
Les	8.34 mH	
Res	41.82 ohms	
BI	3.27 N/A	
SPL	91.68 dB/W/m	

Mechanical Drawing



Suggested application

Load	V (l)	Fb (Hz)	F-3 (Hz)	Ql
------	-------	---------	----------	----

