

6 KRX2 (165 KRX2 WOOFER KIT)

6" K2 Power Woofer

- 2 Ohm voice-coil
- Aluminum basket
- High power handling



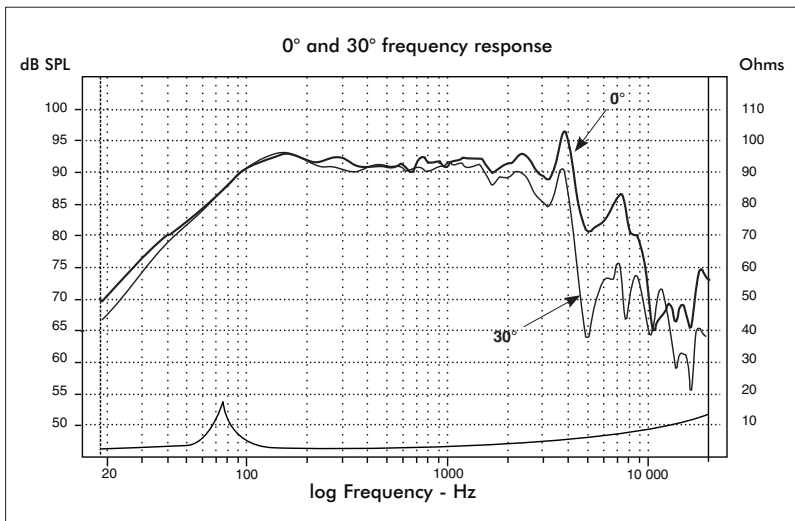
Specifications

Nominal power	100	
Maximum power	200	
Sensitivity	93 dB	
Cone	CKMV	
Surround	Butyl	
Nom. impedance	2 ohms	
DC resistance	1,9 ohms	
VC diameter	40 mm	1-9/16 in
VC height	17 mm	2/3 in
Former	Kapton	
Layers	2	
Wire	copper	
Inductance	0,11mH	
Xmax	5,5mm	3/16 in
Magnet d x h	100x20mm	3-15/16x13/16 in
Magnet weight	1550 g	3,42 lb
Flux density	1T	
Gap height	6mm	1/4 in
Net weight	1800g	3,97 lb

Parameters

Fs	76,46 Hz
Vas	7,45 liters
Qts	0,754
Qes	0,83
Qms	8,24
Re	1,93 Ohms
Sd	132,73cm
Cas	5,3E-08 m5/N
Mas	81,68 Kg/m4
Ras	4762 ohms.ac
Cms	3,01E-04 m/N
Mms	14,39g
Rms	0,839Kg/s
Ces	895,17 mF
Les	4,84 mH
Res	19,16 ohms
BI	4,01N/A
SPL	87,87 dB/W/M

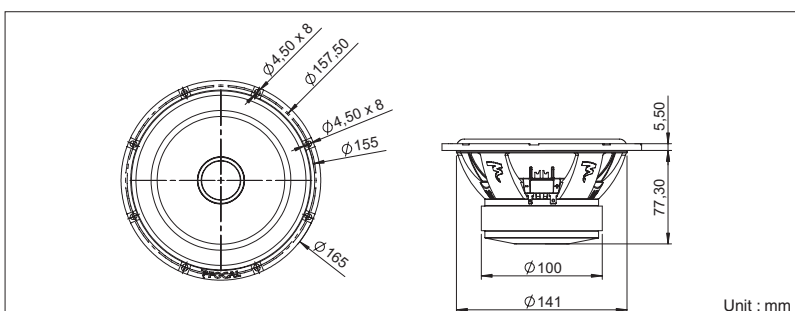
Frequency Response / Impedance



Suggested application

Load	V (l)	Fb (Hz)	F-3 (Hz)	Ql
Sealed	30	-	73,8	7

Mechanical Drawing



©Focal-JMlab - DB080418/1

Focal® is a trademark of Focal-JMlab® - BP 374 - 108, rue de l'Avenir - 42353 La Taubaudière cedex France - Tél. (33) 04 77 43 57 00 - Fax (33) 04 77 37 65 87 - www.focal-fr.com - SCAS080418/1



FOCAL
THE SPIRIT OF SOUND