

# 30 A1 DB

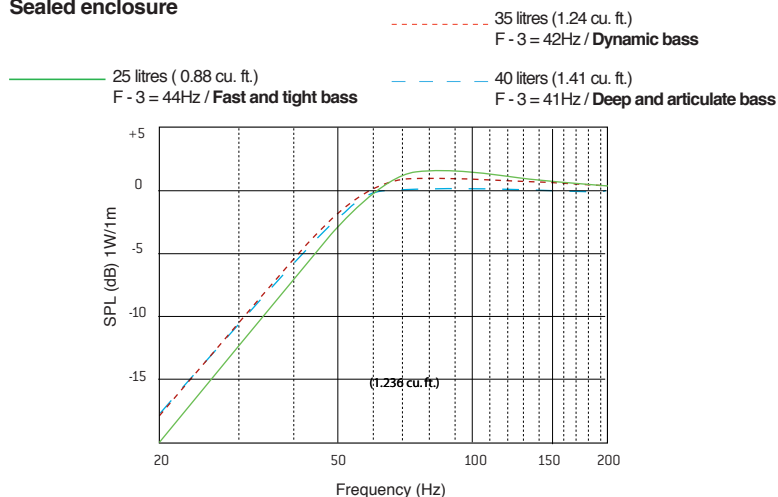
30 cm (12'') Access 1 subwoofer

- All weather woven glass fiber cone
- 65 mm/4 layer voice coil
- Voice coil cooling system
- Dual voice coil (2x4Ω)

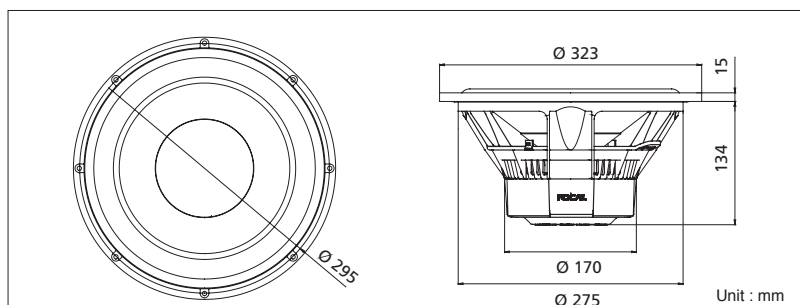


## Suggested Application

### Sealed enclosure



## Mechanical Drawing



## Specifications

Nominal power	250 W	
Maximum power	500 W	
Sensitivity	91 dB	
Cone	Braided glass fiber	
Surround	Butyl	
Nom. impedance	2 x 4 ohms	
DC resistance (in parallel)	1.69 ohms	
VC diameter	65 mm	2-9/16 in
VC height	18 mm	11-16 in
Former	Kapton®	
Layers	4	
Wire	Copper	
Inductance	0.68 mH	
Xmax	5 mm	3-16 in
Magnet (d x h)	145 x 20 mm	5-11/16x13/16in
Magnet weight	1.15 kg	2.45 lb
Flux density	0.8 T	
Gap height	8 mm	5/16 in
Net weight	4.8 kg	10.58 lb

## Parameters

Fs	29.5 Hz
Vas	66.32 l
Qts	0.52
Qes	0.55
Qms	7.87
Re (in parallel)	1.69 ohms
Sd	510.71 cm <sup>2</sup>
Cas	9.03E-07 m <sup>5</sup> /N
Mas	32.24 kg/m <sup>4</sup>
Ras	759.42 ohms.ac
Cms	1.81E-04 m/N
Mms	161.11 g
Rms	3.794 kg/s
Ces	1755.8 mF
Les	16.58 mH
Res	24.18 ohms
BI	9.58 N/A
SPL	86.7 dB/W/m

## Suggested application

Load	V (l)	F-3 (Hz)	Ql
Sealed	25	44	7
Sealed	35	42	7
Sealed	40	41	7

