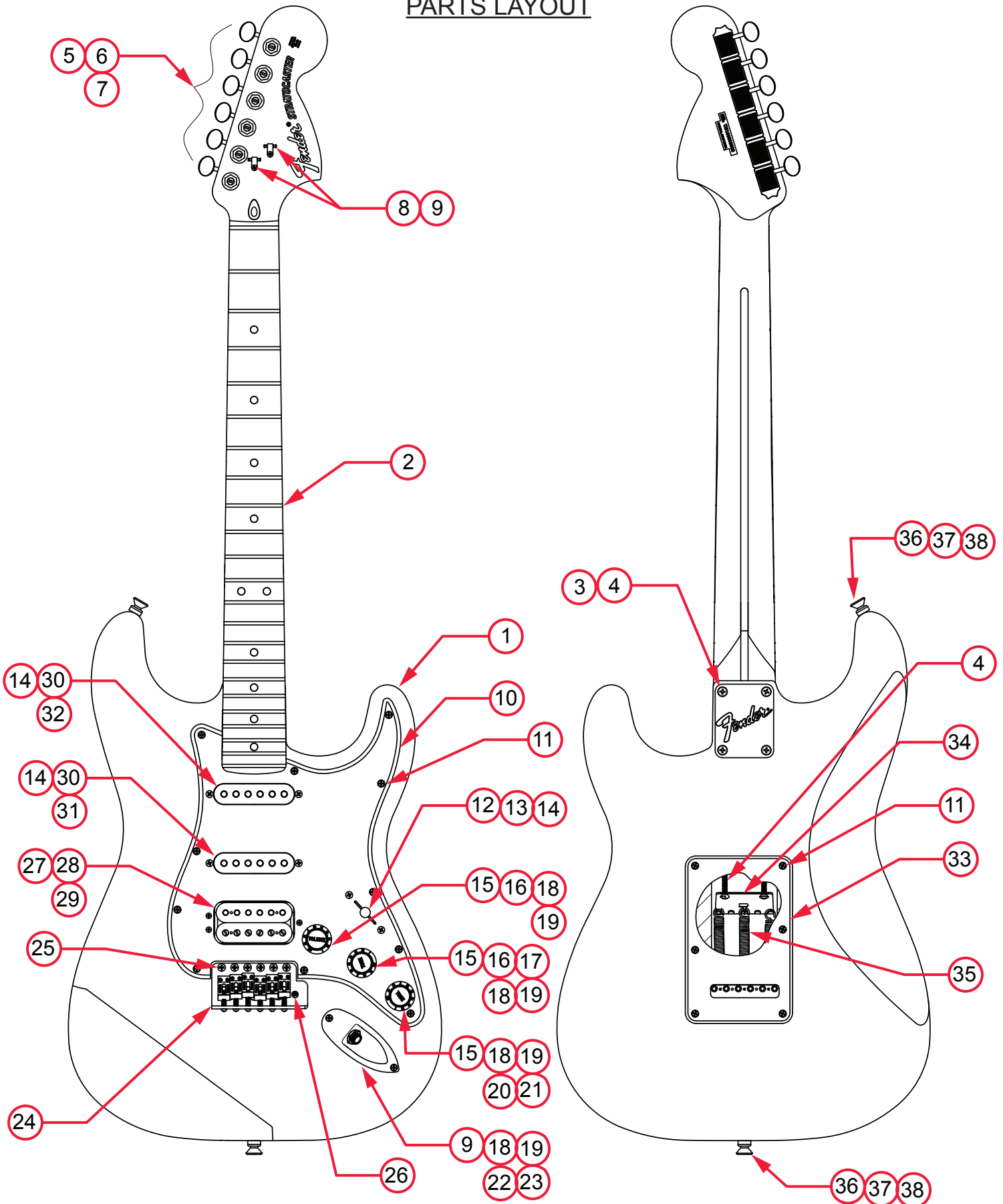


# AMERICAN PERFORMER STRATOCASTER® HSS (11492XXXX)

## PARTS LAYOUT



# AMERICAN PERFORMER STRATOCASTER® HSS (11492XXXX)

REF#	DESCRIPTION	PART NUMBER
1	BODY AM PERFORMER STRAT BLK	7714102506
1	BODY AM PERFORMER STRAT SFG	7714103557
1	BODY AM PERFORMER STRAT AUBERGINE	7714102545
1	BODY AM PERFORMER STRAT 3TSB	7714102500
2	NECK ASSY AM PERFORMER STRAT MPL	7714149000
2	NECK ASSY AM PERFORMER STRAT RW	7713148000
3	NECK PLATE STD SERIES LOGO NO TILT	0048691000
4	SCREW SMA 8 X 1-3/4 OHP NI	0015636049
5	TUNING KEYS MODERN VINTAGE SET	7713088000
6	WASHER KEY SET	0053106049
7	BUSHING KEY SET	0058820049
8	STRING GUIDE TREE AM STD SET W/HDWR	0994911000
9	SCREW SMAB 3 X 3/8 RHP STL NI	0011357049
10	PICKGUARD STRAT 1-HB MG/B/MG	0054021049
10	PICKGUARD STRAT 1-HB B/W/B	0992156000
10	PICKGUARD STRAT 1-HB P/B/P	0077907000
11	SCREW SMAB 4 X 1/2 OHP NI	0015578049
12	KNOB P/U SWITCH VINT AGED WHT	0994938000
13	SWITCH 5-WAY LEVER	0991367000
14	SCREW TF 6-32 X 3/4 RHP STL NI	0048631049
15	KNOBS STRAT AGED WHITE SET VOL (1) TONE (2)	0991369000
16	CONTROL 250K 10% TPR SPLIT	0990830000
17	CAPACITOR MPF RDL .022MF 250V 10%	0024832049
18	NUT HEX 3/8-32 X 3/32 TK NI	0016352049
19	WASHER LOCK INTL 3/8 X .687	0016436049
20	POT W/ LATCHING PUSH SWITCH KNURLED SHAFT	7713200000
21	PCB ASSY GREASE BUCKET TONE CIRCUIT	7713546000
22	FERRULE JACK CHROME	0991940000
23	JACK PHONE 1/4 OUTPUT	0047329049
24	BRIDGE ASSY VINTAGE NARROW CHR	0072290000
25	SCREWS WOOD RD PH 6 X 1-1/8 NI	0016170049
26	SPRING .150 OD 1/2" LONG .039"	0994931000
27	PICKUP ASSY AM PERF STRAT SHAWBUCKER	7713381000
28	SPRING HUMBUCKER MTG SHORT	0050167049
29	SCREW MACH 3-48 X 13/16 NICKEL	0051596049

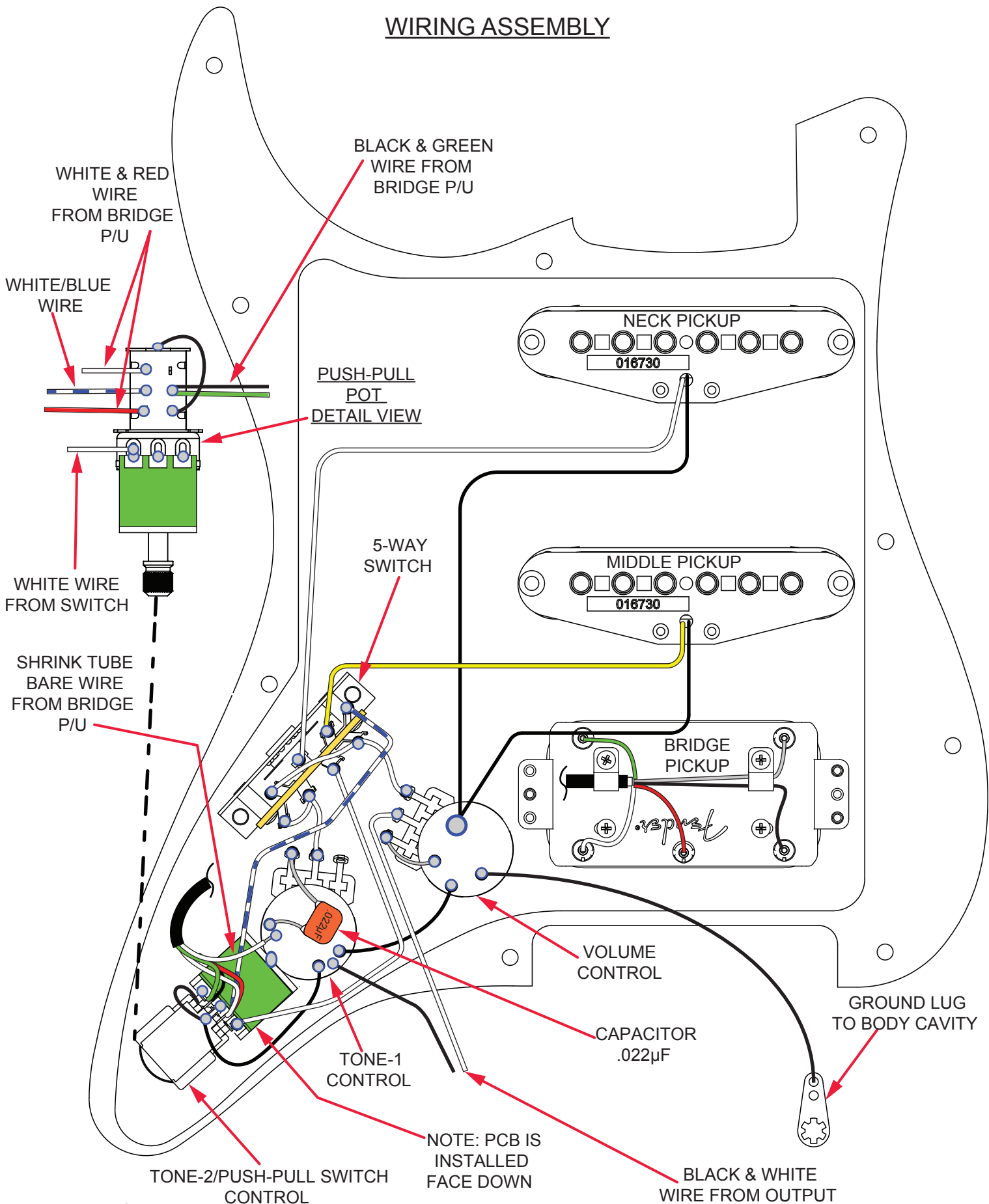
\*= NOT PICTURED IN DIAGRAM





# AMERICAN PERFORMER STRATOCASTER® HSS (11492XXXX)

## WIRING ASSEMBLY



# AMERICAN PERFORMER STRATOCASTER® HSS (11492XXX)

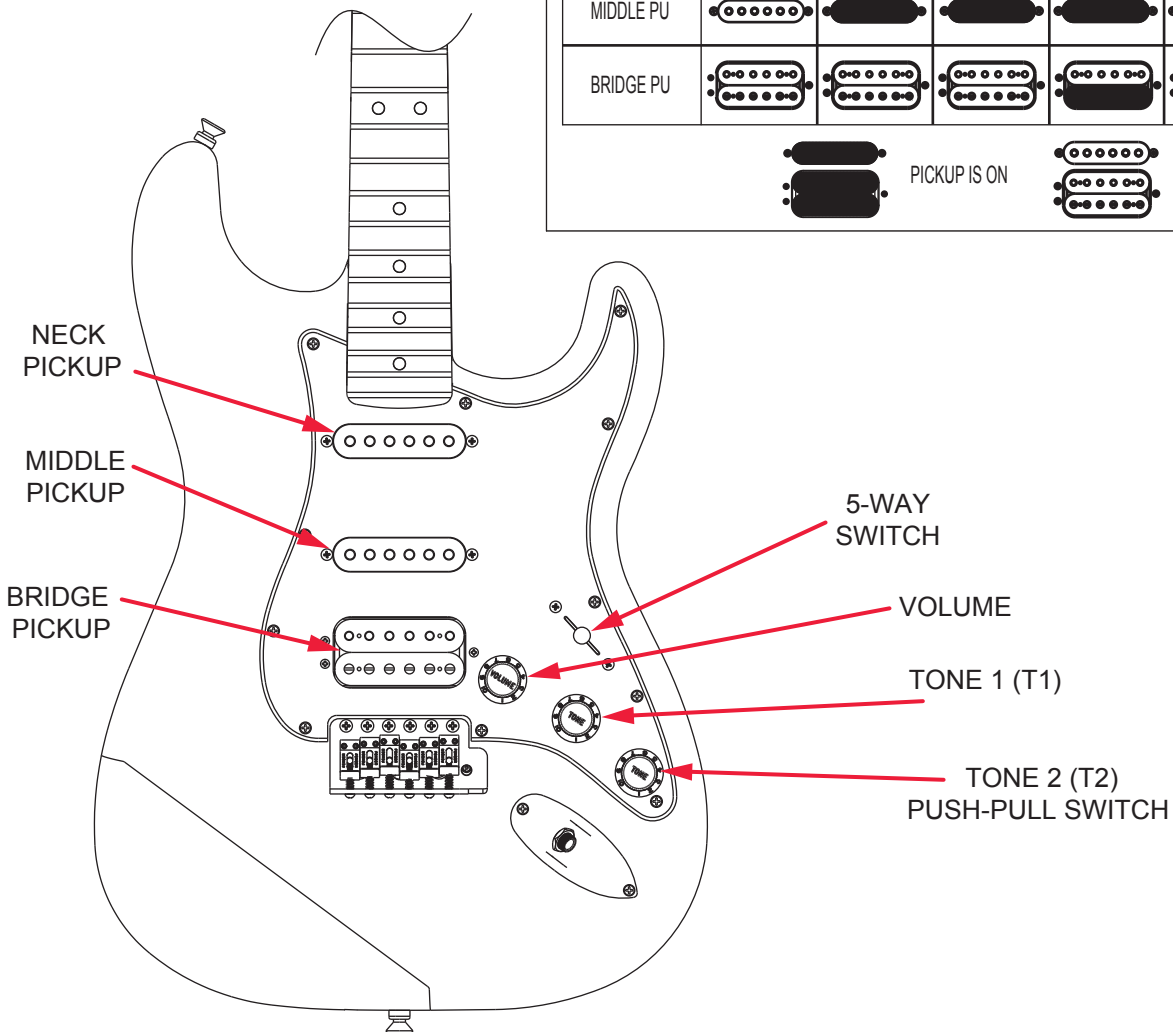
## SWITCH AND CONTROL FUNCTION

5 WAY SELECTOR POSITION	T1 ONLY	T1 ONLY	T1 ONLY	T1 & T2	T2 ONLY	
5						 PUSH-PULL (DOWN POSITION)
NECK PU						COMBINED PICKUPS ARE IN PARALLEL
MIDDLE PU						
BRIDGE PU						

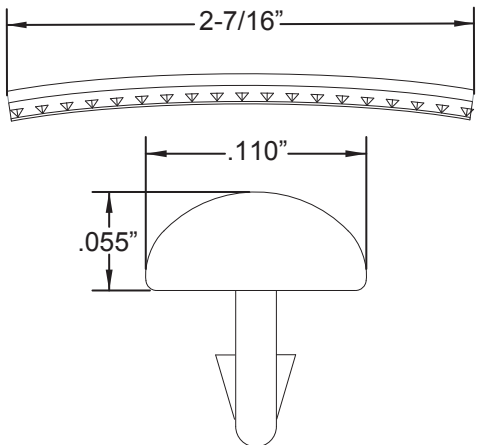
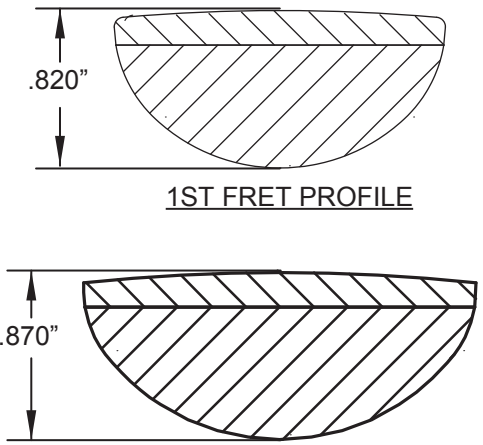
5 WAY SELECTOR POSITION	T1 ONLY	T1 ONLY	T1 ONLY	T1 & T2	T2 ONLY	
5						 PUSH-PULL (UP POSITION)
NECK PU						COMBINED PICKUPS ARE IN PARALLEL
MIDDLE PU						
BRIDGE PU						

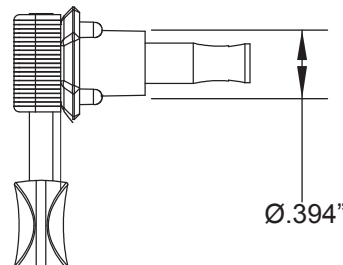
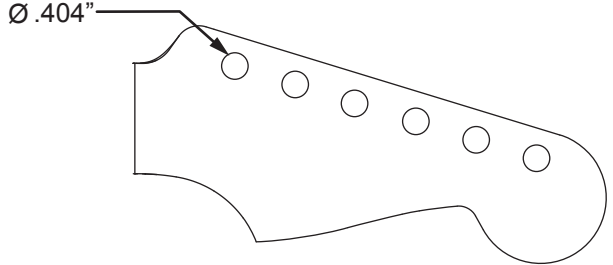
PICKUP IS ON      PICKUP IS OFF



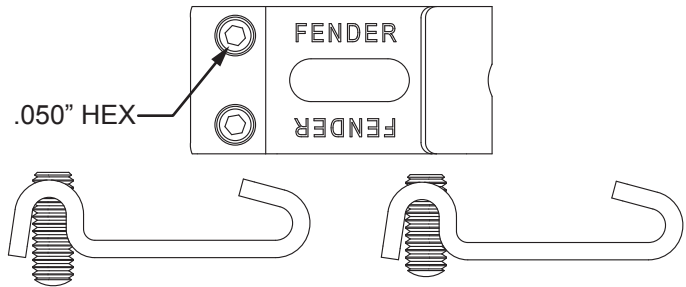
# AMERICAN PERFORMER STRATOCASTER® HSS (11492XXXX)

## ADDITIONAL SPECIFICATION DETAIL

<p><b>FRET SIZE: JUMBO</b> (FRET DIMENSIONS ARE BEFORE INSTALLATION)</p> 	<p>PLEASE NOTE: AS EACH NECK IS SANDED &amp; FINISHED BY HAND, THICKNESS DIMENSIONS MAY VARY SLIGHTLY FROM THOSE SHOWN.</p>	<p><b>NECK PROFILE: MODERN "C"</b></p>  <p style="text-align: center;"><b>1ST FRET PROFILE</b></p> <p style="text-align: center;"><b>12TH FRET PROFILE</b></p>
--	---	---

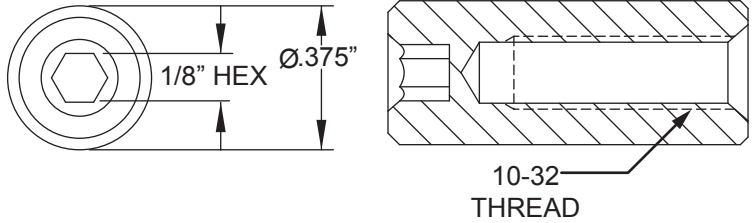
<p><b>STAGGERED TUNING MACHINE SET P/N 7713088000</b> <b>OUTER SHAFT DIAMETER .394"</b></p> 	<p><b>TUNING MACHINE THRU-HOLE</b> <b>INNER DIAMETER .404"</b></p> 
--	--

**SADDLE HEIGHT ADJUSTMENT WRENCH:**  
**.050" HEX KEY P/N 0018531049**




**SADDLE HEIGHT ADJUSTMENT SCREWS:**  
TALL: P/N 0075384000      SHORT: P/N 0075536000

**TRUSS ROD NUT P/N 0994943000**  
**TRUSS ROD ADJUSTMENT WRENCH:**  
**1/8" HEX KEY P/N 0023811049**



**LOGO: AMERICAN PERFORMER STRAT**  
**APPLIED UNDER THE FINISH**



**PICKUP SPECIFICATIONS**

POSITION	MAGNETS	DC RESISTANCE	POLARITY
NECK	ALNICO 4 BEVELED	7.5 - 8.1KΩ	NORTH
MIDDLE	ALNICO 4 BEVELED	8.2 - 8.8KΩ	SOUTH
BRIDGE	BAR ALNICO 4	7.9 - 8.5KΩ	SOUTH NORTH