

COLOSSUS 15XB



PROFESSIONAL SERIES

ELECTRO ACOUSTIC SPECIFICATIONS

Nominal Chassis Diameter	15"
Impedance	8 Ω
EIA 426A Power	800 w
Program Power	1600
Peak Power 6dB Crest Factor	3200
Frequency Range -3dB	40 Hz - 1.0 KHz
Sensitivity 1w - 1m	99 dB
Magnet Weight	126 oz
Magnetic Gap Depth	0.39" / 10 mm
Coil Diameter	4.0" / 102 mm
Flux Density (Tesla)	1.2
Coil Winding Length	0.90" / 23 mm
Coil Material	Copper
Former Material	Fibreglass

THIELE SMALL PARAMETERS

FS Hz	42 Hz
RE Ohms	6.5 Ω
Qms	9.5
Qes	0.47
Qts	0.46
Vas Ltr	109
Vd	0.641
CMS (mm/N)	0.106
BL T/m	22.28
Mms grms	136
Xmax mm	7.5
Sd cm ²	855.3
Efficiency %	1.667

MOUNTING / SHIPPING INFORMATION

Overall Diameter	16.02" / 407 mm
Width Across Flats	15.25" / 387 mm
Baffle Hole (Front Mount)	13.85" / 352 mm
Flange Height	0.30" / 7.8 mm
Mounting Hole Diameter & Quantity	4 x 7.1 mm dia on 393.7 PCD / 8 x 7.1 mm dia on 370 PCD / 4 x 0.281" dia on 15.5 PCD / 8 x 0.281 dia on 14.56 PCD
Overall Height	7.24" / 184 mm
Nett Weight	13.6 kg
Shipping Weight	14.6 kg
Packing Carton Dimensions	230 x 440 x 440 mm

MATERIALS OF CONSTRUCTION

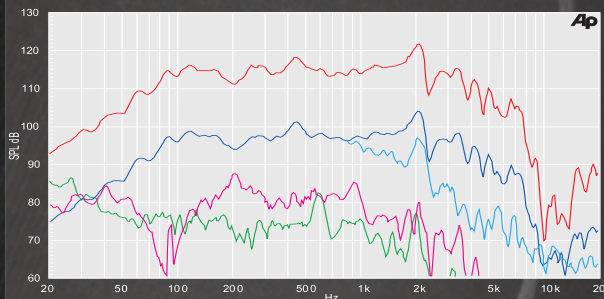
Former Material	Fibreglass
Voice Coil	Copper
Magnet Material	Ferrite
Chassis	Die-cast Aluminium
Cone	Paper
Surround / Edge Termination	Polyvinyl Damped Fabric
Dust Dome	Paper
Connectors	Push-button Spring Terminals
Polarity	Positive Voltage at Red Terminal causes forward motion of cone

- Please inquire about alternative impedances.
- A.E.S. power handling test. Pink noise bandpass filtered at 12 dB per octave with cutoff frequencies of 35 Hz and 350 Hz. Driver mounted in free air, test signal applied at rated power for two hours.

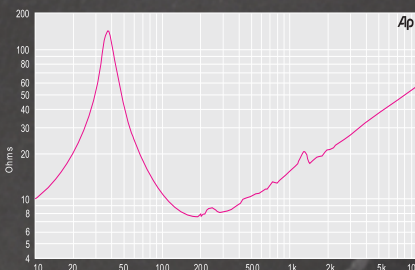
APPLICATION NOTES:

The Colossus 15XB is intended for use as a high-output sub-bass driver either singly or in multiway systems. The unit features a 4-inch voice coil immersed in a symmetric magnetic field and centralized by using two suspensions in a dual arrangement to maintain ultra linearity and stability at high excursions. The heavily ribbed straight-sided paper cone membrane is reinforced with high-strength composite fibres to resist deformation under extreme loads. The driver handles 800 Watts (E.I.A.) continuous and can cope with peaks in excess of 3200 Watts. This is due to advanced thermal management in the form of a vented die-cast chassis and motor system using an internal heatsink coupled to a large vaned heatsink mounted on the rear of the unit. These measures effectively remove heat from the voice coil resulting in extremely low-power compression. The Colossus 15XB is designed for use in 70 to 150 litre ported enclosures.

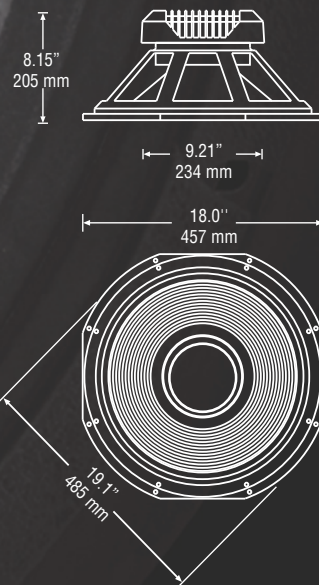
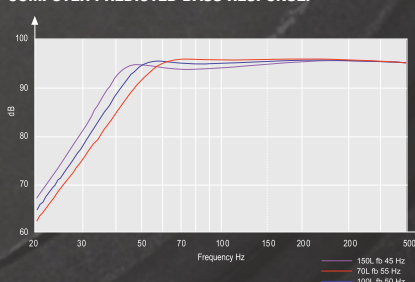
FREQUENCY RESPONSE DATA:



IMPEDANCE:



COMPUTER PREDICTED BASS RESPONSE:



FANE