

COLOSSUS 15B-600N

NEODYMIUM DRIVERS



ELECTRO ACOUSTIC SPECIFICATIONS

Nominal Chassis Diameter	15"
Impedance	8 Ω
Power Handling	600 (A.E.S.)
Usable Frequency Range -6dB	40 Hz - 3 kHz
Sensitivity 1 w - 1m	98 dB
Moving Mass inc. Air Load	145 grams
Minimum Impedance Zmin	7.5 Ω
Effective Piston Diameter	13.03" / 331 mm
Peak Displacement Volume of Cone Vd	0.98 litres
Magnet Weight	-
Magnetic Gap Depth	0.43" / 11 mm
Flux Density	1.06 Tesla
Coil Winding Height	0.75" / 19 mm
Voice Coil Length	95 ft / 29 m
Voice Coil Diameter	4.0" / 101.6 mm

THIELE SMALL PARAMETERS

FS Hz	42 Hz
RE Ohms	5.8 Ω
Qms	5.361
Qes	0.549
Qts	0.498
Vas Ltr	110
Vd Litres	0.98
CMS (mm/N)	0.099
BL T/m	20.17
Mms (grms)	145
Xmax mm	5.7
Sd cm ²	889.6 cm ²
Efficiency %	2.4

MOUNTING / SHIPPING INFORMATION

Overall Diameter	16" / 406.4 mm
Width Across Flats	15.25" 387 mm
Flange Height	0.305" / 7.8 mm
Baffle Hole Diameter F/M	13.85" / 352 mm
Baffle Hole Diameter R/M	14" / 355.6 mm
Gasket Supplied	Front & Rear
Fixing Holes	4 x 0.281" diam on 15.5 PCD / 8 x 0.281 diam on 14.56 PCD 4 x 7.1 mm diam on 393.7 PCD / 8 x 7.1 diam on 370 PCD
Depth	7.20" / 183 mm
Weight	14.00 lb / 6.35 kg
Recommended Enclosure Volume	2.47-4.41 cu ft / 70-125 litres
Volume Displaced by Driver	0.219 cu ft / 6.2 litres
Shipping Weight	15.87 lb / 7.2 kg
Packing Carton Dimensions	415 x 415 x 250 mm

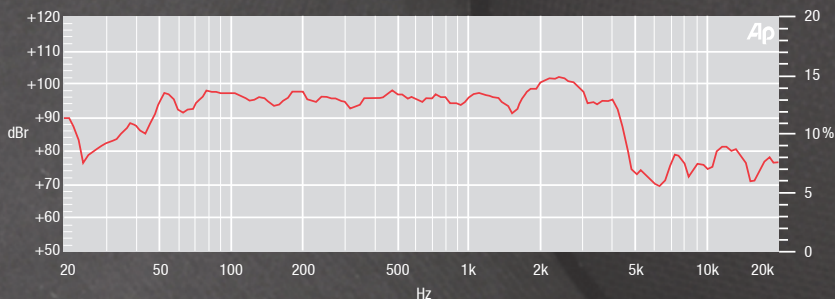
MATERIALS OF CONSTRUCTION

Former Material	Fibreglass
Voice Coil	Aluminium
Magnet Material	Neodymium
Chassis	Die-cast Aluminium
Cone	Curvilinear Polycellulose
Surround / Edge Termination	Polyvinyl Damped Dbl Half Roll Linen
Dust Dome	Solid Paper
Connectors	Push-button Spring Terminals
Polarity	Positive Voltage at Red Terminal Causes Forward Motion of Cone

APPLICATION NOTES:

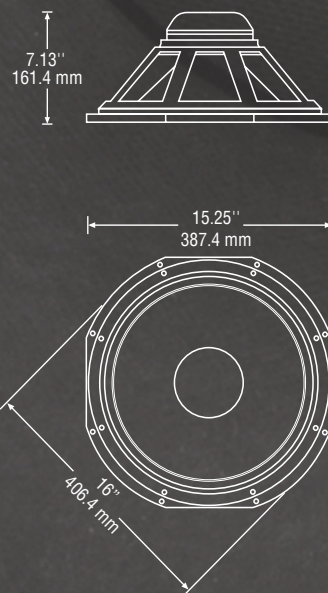
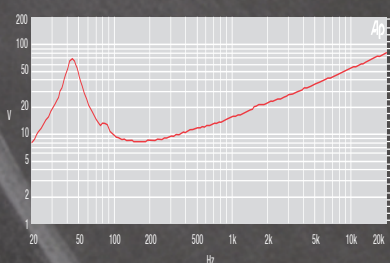
The Colossus 15B-600N is intended for use in high-power two-way ported enclosures and as a high-output bass driver in multiway systems. It features a 4-inch voice coil immersed in a symmetric magnetic field yielding increased linearity and lower distortion at high excursion levels. The cone membrane, manufactured from Polycellulose, is much stronger and more durable than conventional paper pulp alternatives. This allows the driver to combine high-sensitivity with the structural integrity required to produce undistorted low frequencies at high output levels. The driver handles 600 Watts (A.E.S) continuous and can cope with peaks in excess of 2400 Watts. This is due to advanced thermal management in the form of vented die-cast chassis and increased motor system venting. These measures effectively remove heat from the voice coil, resulting in extremely low-power compression. The Colossus 15B-600N exhibits an average sensitivity of 98 dB and can deliver bass down to 40 Hz (-6 dB) in a 125 litre ported enclosure.

FREQUENCY RESPONSE DATA:



Half space response measured in a 975 litre sealed box.

IMPEDANCE:



- Please inquire about alternative impedances.
- A.E.S. power handling test. Pink noise bandpass filtered at 12 dB per octave with cutoff frequencies of 30 Hz and 300 Hz. Driver mounted in free air, test signal applied at rated power for two hours.
- Please note that the frequency response measurements are supplied for comparison only and are not a measure of the low frequency performance which may be achieved in a fully optimised system.

FANE