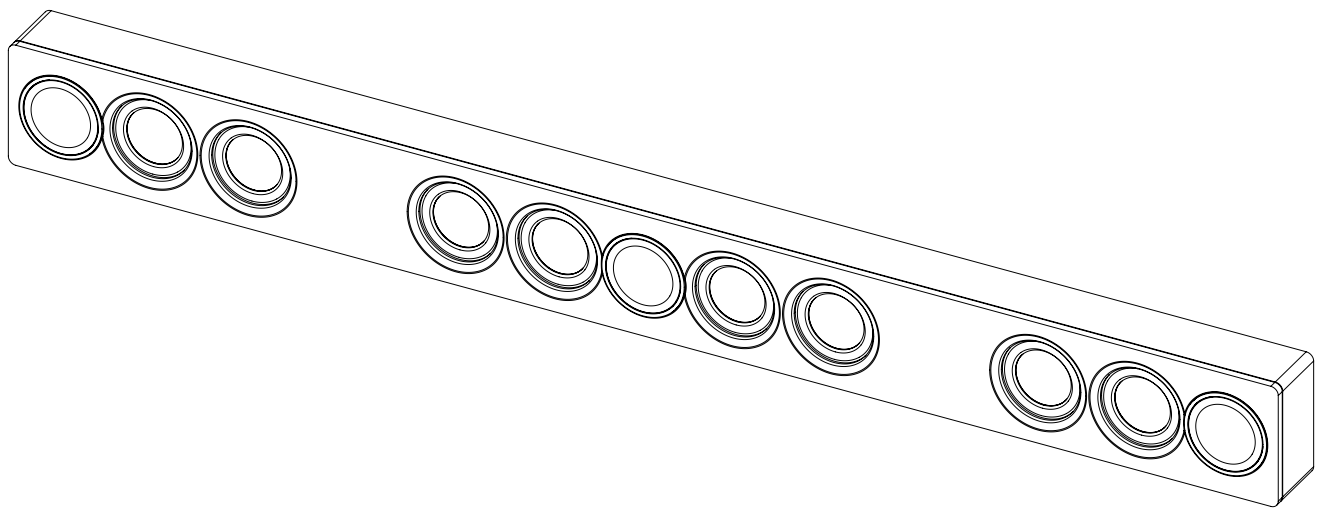


**ELAC** Muro™ Series



**MSB41L** 3 CHANNEL PASSIVE SOUNDBAR FOR TV's 65" and larger  
**MSB41S** 3 CHANNEL PASSIVE SOUNDBAR FOR TV's 55" and larger

## OPERATING INSTRUCTIONS

**ELAC** The life of sound.

# Safety Instructions

## 1. General information

- Please read and follow these safety instructions.
- Keep them safe for future reference.
- Observe all warnings on the soundbar and in the manual. Please check the soundbar for damage before use. The soundbar must be in perfect working condition.

## 2. Use only as directed

- Connect the soundbar according to the instructions in the manual.

## 3. Location

- Install the soundbar on the wall or on a level surface only
- When choosing the location of the soundbar do not place the unit in locations that are:
  - In direct sunlight
  - Very humid
  - Prone to vibrations
  - Exceptionally hot or cold
  - Near CRT Televisions (the speakers inside the soundbar are not magnetically shielded and may cause color issues with a CRT based TV)
  - Close to magnetic cards (Since the speakers inside the soundbar are not magnetically shielded placing magnetic cards such as credit cards or commuter cards may cause them to fail).

**WARNING!** Please ensure the product is perfectly stable to avoid injury from tip-over. Do not install the soundbar near any heat sources such as radiators, heating valves, stoves, or other apparatus that produce heat, or in areas where there is a risk of explosion.

- Do not block any ventilation openings. Install in accordance with the manufacturer's instructions.
- Do not put burning candles on or near the soundbar.
- Do not install the soundbar near transformers, because electromagnetic stray fields can cause hum noise .

## 4. Overload

Extreme overload of the device due to very high volume may cause damage to individual components. Because of the possible danger, you should never leave the soundbar under extreme overload conditions unattended.

## 5. Service

**DANGER!** Do not open the soundbar because the components and conductors may carry current! Servicing to be carried out by qualified service personnel only.

Servicing is required when the soundbar has been damaged in any way, such as damage when liquid has been spilled or objects have fallen onto the soundbar, the soundbar has been exposed to rain or moisture, does not operate normally, or has been dropped. Servicing should be carried out by qualified service personnel only.

## 6. Cleaning

**NOTE:** Clean only with soft, smooth cloth or with dust brush. Do not use scouring agents, alcohol, benzene, furniture polish or other agents for cleaning! Modern furniture is often coated with multiple varnishes and plastics which can be treated with chemical agents.

## 7. Volume

**CAUTION!** Continuous high volume may cause severe damage to your hearing. Please listen responsibly.

## 8. Disposal

The packaging is made from recyclable materials. Dispose of this in an environmentally friendly manner. At end of life do not dispose of the soundbar with standard household waste. The product must be recycled in accordance with local legislation. Ask your local government for further information on recycling as the device contains valuable raw materials.

# Philosophy

**Thank you for purchasing this ELAC product.**

Since the time we started (1926), ELAC has always striven to achieve the very best.

Your new ELAC pasive soundbar is built to the highest standards using high-quality components that are carefully constructed to deliver the best-in-class sound quality. The soundbar has been developed by a passionate group of individuals whose soul purpose is to bring a new dimension of sound quality into your home. Enjoy!

# Wall Mounting of the Passive Soundbar

Avoid damage to the soundbar and other components:

- Carefully unbox the soundbar to avoid physically damaging the unit.
- Depending on your existing audio-video configuration it is recommended to carefully choose the channel connection (left - center - right) of the passive soundbar.
- Both soundbar models can be mounted on the wall using the provided wall bracket.
- Use the provided wall bracket as a template to mark up on the wall the location of the holes.
- The wall bracket is the same for both soundbar models MSB41L and MSB41S . See Fig.1.
- The design of the soundbar and wall bracket allow you to adjust the position of the soundbar by 1.77 in [4.5 cm] in both directions: left and right from the center axis of the wall bracket. See Fig.2 and Fig.3.
- The adjustment left and right of the soundbar allows you to better align the soundbar with the TV unit above.

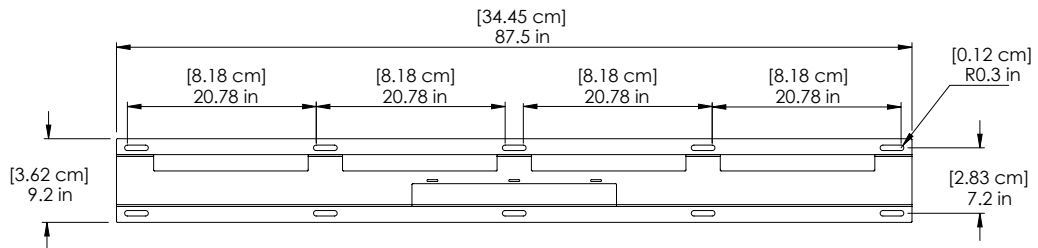


Fig.1

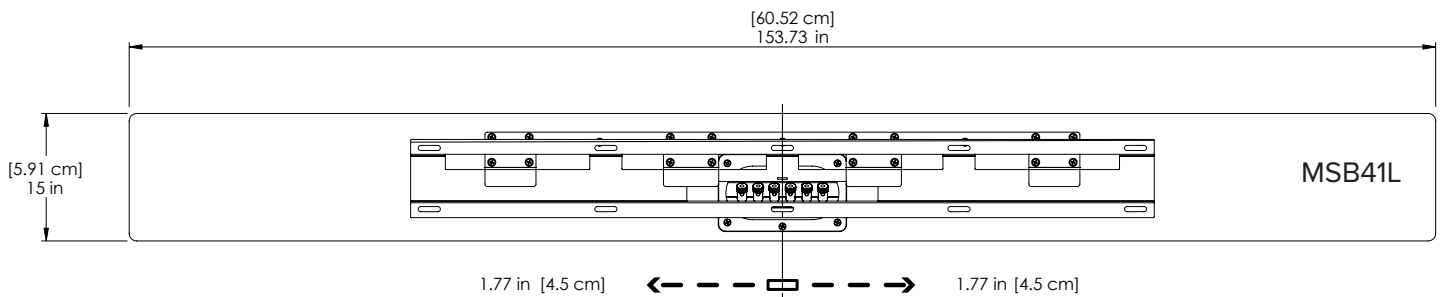


Fig.2

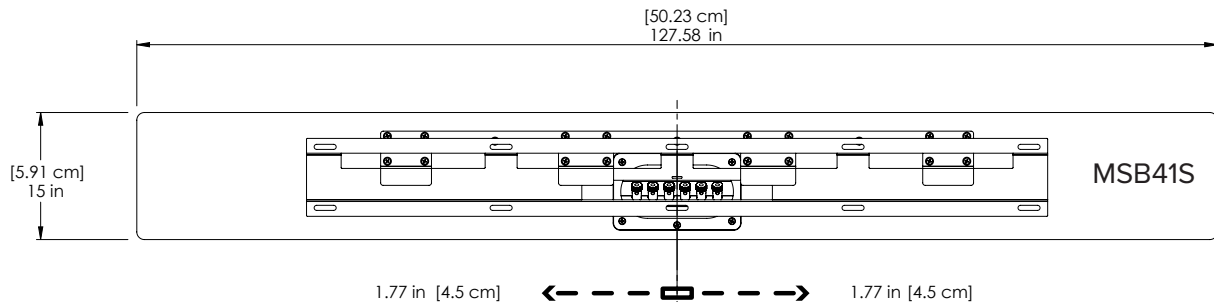


Fig.3

# Soundbar Connection

After choosing the position of the soundbar, do the following to avoid damaging the soundbar:

- Ensure your equipment is turned off before connecting the soundbar.
- Use appropriate gauge wires (minimum of 16 gauge wire for runs up to 25 feet).
- Connect the left, center and right channel output terminals of your audio source to the appropriate soundbar binding posts as shown in Fig.4.
- Make sure wire polarity is connected correctly. Most speaker cables are coded for ease of use. Make sure positive (red) connection on the audio source terminal is connected to the positive (red) on your soundbar. Follow the same instructions for the negative side. Strip off approximately 1/2" of the insulation from the ends of the speaker cable, twist the bare strands and insert into the binding post.
- Check to ensure positive and negative wires are not touching each other once they're connected to the soundbar terminals. See Fig.4.

View from the back of passive soundbar

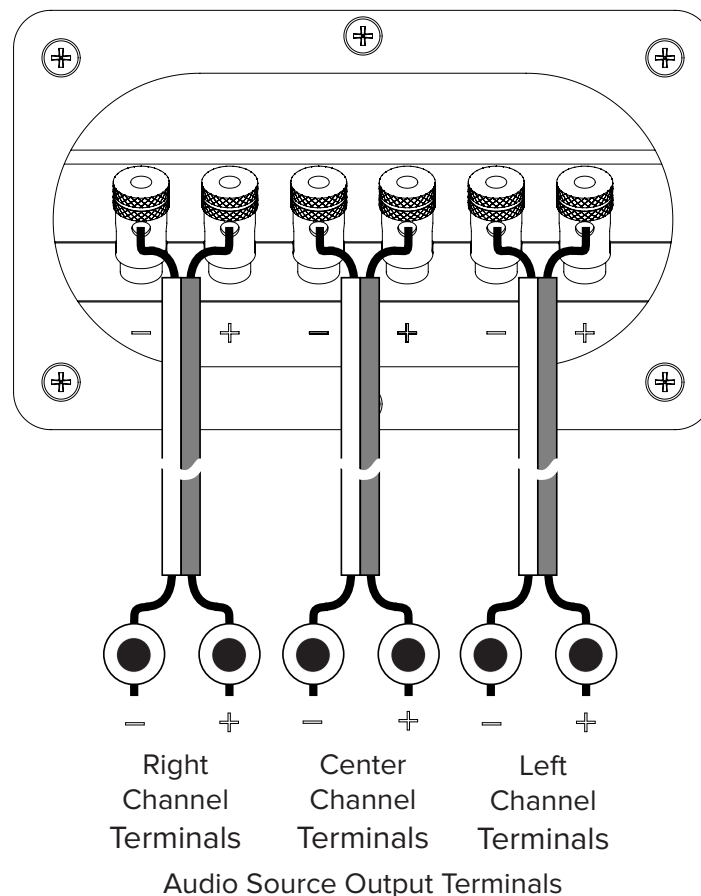


Fig.4

## Installing and Removing the Grill

The mesh grill of your passive soundbar is designed to be removable if desired. To remove it, hold the top or bottom edges of the grill and pull gently. To install the grill, align the edges of the grills with the edges of the soundbar. The grill will be positioned and hold in place by the magnets incorporated in the grill.

# On-Wall Soundbar Setup

The Elac MSB41L and MSB41S passive soundbars are designed to be mounted on the wall primarily, but you can also place them on a horizontal surface of a piece of furniture under your TV.

If you choose the on-wall mounting of the soundbar, you should allow a minimum distance of 1 inch [2.5 cm] between the upper edge of the wall bracket and your TV. See Fig.5.

We highly suggest that a professional installer performs the on-wall installation of passive soundbar. Different wall materials require different types of mounting hardware.

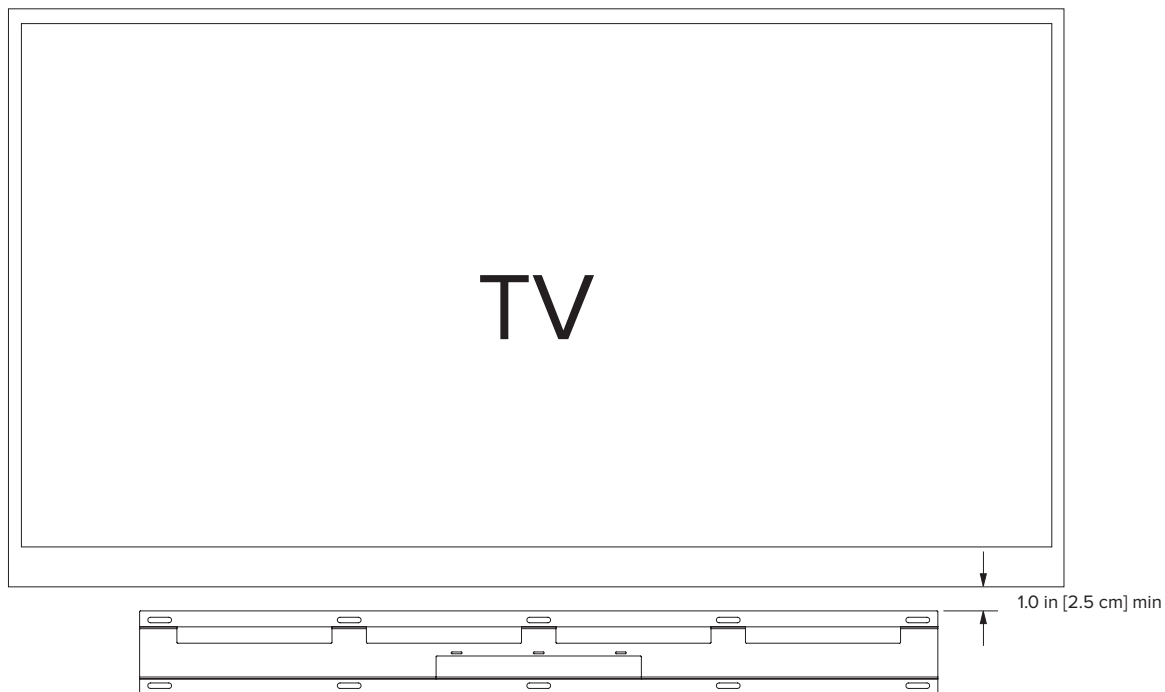


Fig.5

## Specifications

Parameter / Model	MSB41S	MSB41L
Speaker Type	Passive Radiator	Passive Radiator
Tweeter	1" Soft Dome x 3	1" Soft Dome x 3
Woofer	4" Aluminum x 8	4" Aluminum x 8
Frequency Response	75Hz - 35000Hz	70Hz - 35000Hz
Crossover Frequency	2800Hz	2800Hz
Sensitivity	86db @ 2.83 v/1m	86db @ 2.83 v/1m
Max Power Input	80 Watts	80 Watts
Nominal Impedance	6 Ohms	6 Ohms
Biding Posts	Metal Push	Metal Push
Cabinet Finish	Satin Black or Satin White	Satin Black or Satin White
Grill	Black/Grey Magnetic	Black/Grey Magnetic
Wall Mount	Included	Included
Height	5-15/16"	5-15/16"
Width	50-3/16"	60-1/2"
Depth	3-7/16"	3-7/16"
Net Weight	26.23 lbs	28.66 lbs

# Warranty

## North America Limited Liability Warranty

ELAC Americas Inc. warrants to the original purchaser that this product be free from defects and or workmanship for a period of 1 (One) year on the soundbar from the original date of purchase.

During this time period, repair or replacement of parts will be free of charge to the original owner (See below limitations). Shipping to and return from the repair center will be the responsibility of the original purchaser.

### Limitations

Warranty begins on the date of original purchase from an authorized ELAC Americas Inc. dealer.

- Product is warranted only if used in home applications. Commercial use of this product is not warranted.
- Product that has been modified or altered in anyway will not be warranted.
- Product that has been abused or subjected to faulty equipment will not be warranted.
- Products with defaced or removed serial numbers will not be warranted.

### If service is required

In the event that service is required, please contact ELAC America at 714-252-8843 or at customerservice@elac.us to arrange for service or replacement. You will be responsible to provide proof of purchase (Copy or original sales receipt). Shipping to and from our repair center will be the responsibility of the original purchaser.

### Warranty Outside of North America

This warranty applies to products purchased in the United States and Canada. For warranty claims outside of North America please contact the local dealer/distributor in the country of purchase.

ELAC AMERICAS INC.  
11145 KNOTT AVE. SUITES E & F  
CYPRESS, CA 90630

ELAC ELECTROACUSTIC GMBH  
FRAUNHOFERSTRASSE 16  
D-24118 KIEL, GERMANY