

# DALI PHANTOM KOMPAS 6M BACKBOX INSTALLATION DIRECTIONS

TABLE 1

KOMPAS 6M BACKBOX	
KOMPAS 6M BACKBOX	2 pcs
4 screws, PH2	2 pcs
Installation directions	1 pc

Congratulations with your new KOMPAS 6M BACKBOX. We recommend that you go through these installation directions before mounting the BACKBOX to your KOMPAS loudspeaker.  
 You can find more information about the products on our website [www.dali-speakers.com](http://www.dali-speakers.com) or by contacting your local DALI dealer.

## MOUNTING THE KOMPAS BACKBOX TO KOMPAS 6M LOUDSPEAKER:

FIGURE 1

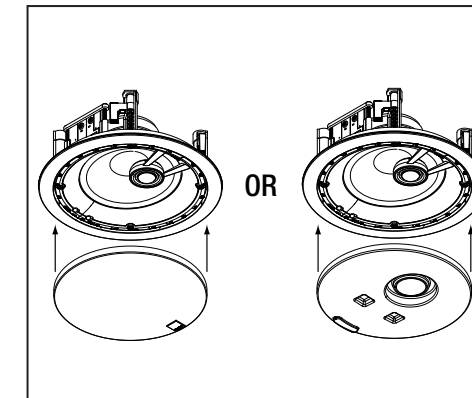
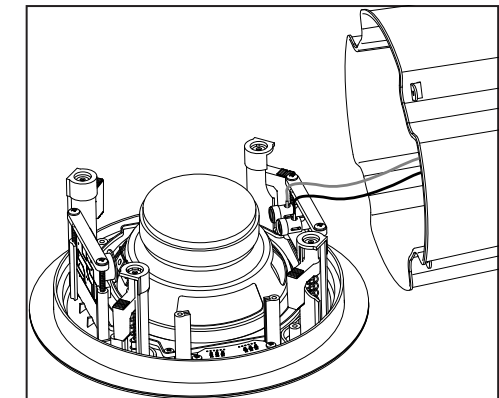


FIGURE 2



### 1. KOMPAS Loudspeaker Tweeter:

Make sure to protect the tweeter on the KOMPAS loudspeaker while mounting the BACKBOX by using the painting cover mask (protection shield that comes with the KOMPAS 6M loudspeaker). If the cover mask is no longer available the grille must be in place while mounting. We strongly recommend that the mounting is done on a soft surface in order to prevent scratching the grille.

### 2. BACKBOX-Connectors:

Connection of the KOMPAS speaker to the BACKBOX-connectors (red/black).

**NOTE:** The protection shield/grille must be off while mounting into the ceiling.

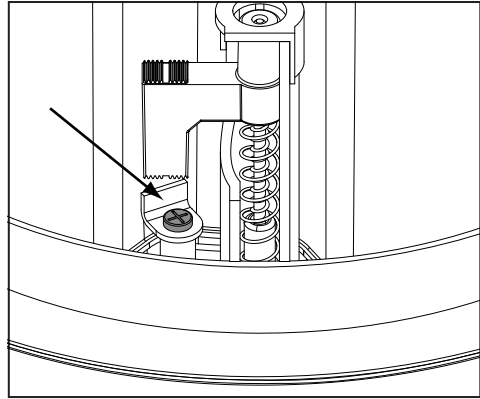


IN ADMIRATION OF MUSIC



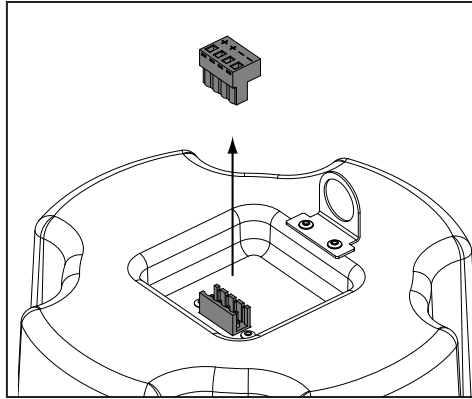
IN ADMIRATION OF MUSIC

FIGURE 3



**3. Screws:**  
Make sure to fully tighten all 4 screws when mounting the BACKBOX to the KOMPAS loudspeaker. Please refer to the recommendations of use of tools.

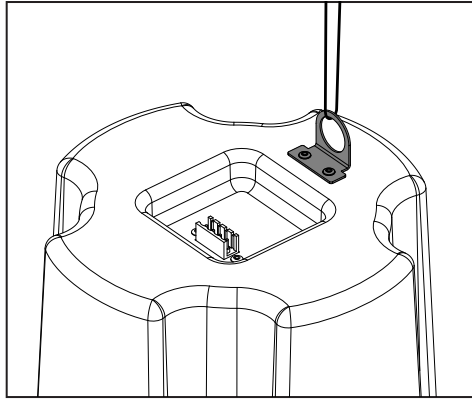
FIGURE 4



**4. Connector Block:**  
We recommend that you dismantle the green Connector Block from the BACKBOX before connecting to the amplifier cable.

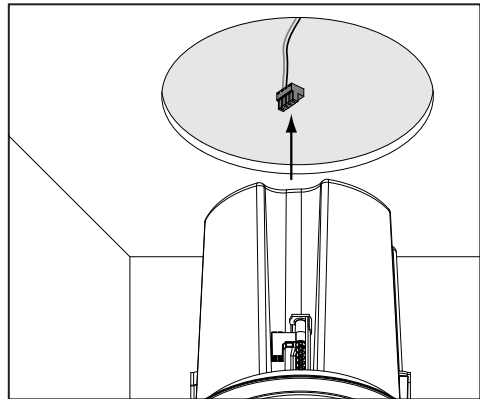
**NOTE:** Make sure to fully tighten all screws.

FIGURE 7



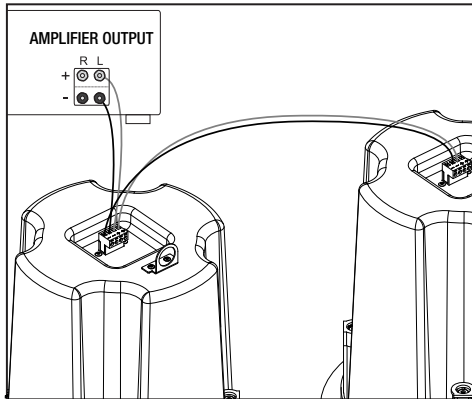
**7. Earthquake Safety Hook:**  
If using this feature make sure that the wire is attached to the roof construction. We recommend consulting a professional builder.

FIGURE 5



**5. Connector Block:**

FIGURE 6



**6. Connector Block:**  
The green Connector Block is equipped with a “Daisy Chain” (parallel connection) for easy connection of a 2nd KOMPAS. Make sure that you connect the +/- from the amplifier to the +/- connection of the BACKBOX.

**NOTE:** If you're doing a retrofit installation, please be careful not to drop the KOMPAS loudspeaker when you unscrew the 4 screws. The tweeter is very fragile so the same precaution is needed when mounting the KOMPAS loudspeaker into the ceiling.

**NOTE:** If you haven't installed your KOMPAS loudspeaker at this stage we strongly recommend that you read the manual including in the KOMPAS 6M loudspeaker packaging very carefully.

**Recommended tools to use:**

- 3 mm HEX bit: For dismantling the KOMPAS loudspeaker from the ceiling
- PH2 bit: For mounting the BACKBOX to the KOMPAS loudspeaker
- Slotted 2,5 mm bit: For connecting the connectors

**NOTE:** If using an electrical or battery driven screwdriver, we recommend that you use an extension bit when mounting the BACKBOX to the KOMPAS loudspeaker because of the narrow space around the doglegs brackets.

TABLE 2 - KOMPAS 6M BACKBOX TECHNICAL SPECIFICATIONS

KOMPAS 6M BACKBOX	
Material	1 mm zinc plated steel with bitumen damping
Cut-out dimensions (Ø) [mm/inch]	221/8.7
Weight – BACKBOX [kg/lb]	1.6/2.2
Weight – BACKBOX incl. KOMPAS loudspeaker [kg/lb]	3.6/6.4

All technical specifications are subject to change without notice.

