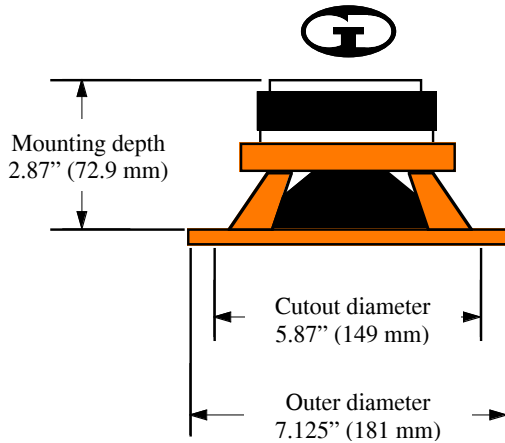


Specifications

Diameter: 7" (180mm)
Sensitivity: 92.2 dB
Power Handling: 100 Wrms (200W pk)
Frequency Response: 50 ~ 5000 hz
Nominal Impedance: 4 Ohms
Voice Coil Diameter: 1.5" (38mm)
Dimensions:



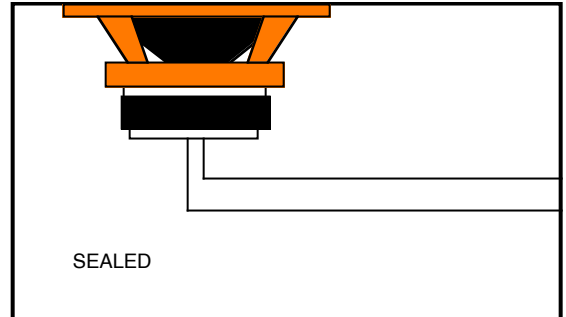
Thiele-Small Parameters

Free Air Resonance: 52.2 Hz
Voice Coil DC Resistance: 3.08 ohms
Voice Coil Inductance @ 1 kHz: 0.29 mH
Mechanical Q (Q_{ms}): 1.88
Electrical Q (Q_{es}): 0.42
Total Q (Q_{ts}): 0.34
Compliance Volume (V_{as}): 17.85 l
0.63 ft³
Moving mass, Diaphragm: 13.4 Gr
Driver Radiating Area (S_d): 135 cm²
20.9 in²
Motor Force Factor: 5.66 Tm

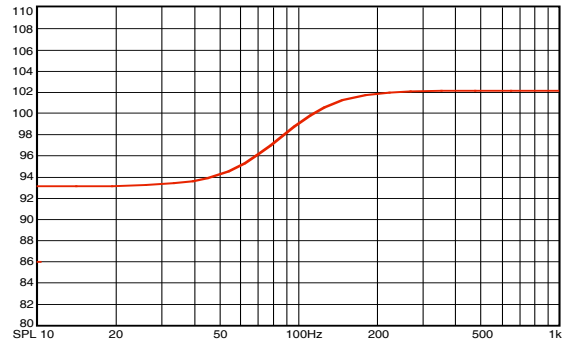
Note:

All sealed boxes greater than 0.18 cubic feet are allowable but with non-optimal bass response. Optimal setup for bass in a medium size cab is shown here.

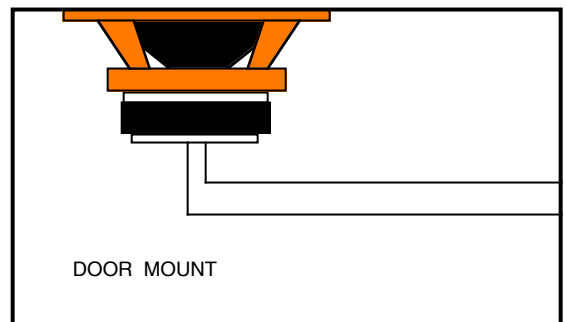
**Box Volume = 0.18 cu. Ft.
(5.1 liters) sealed**



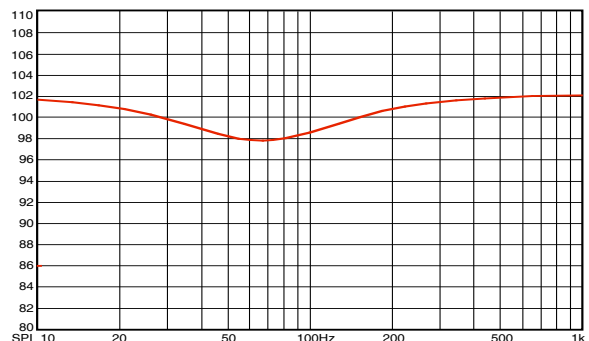
**Sealed Box
Frequency response @ 10 Watts**



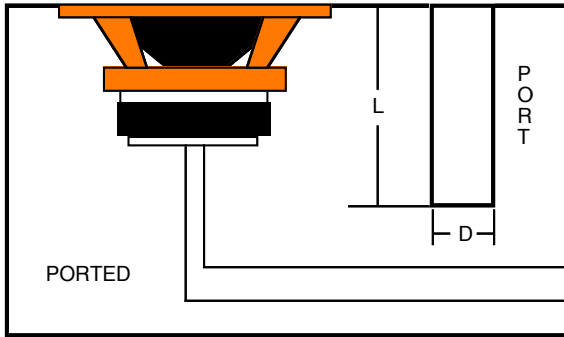
**Door Volume = 1.0cu. Ft.
(28.35 liters)**



**Door Mount
Frequency Response @ 10 Watts**



Box Volume = 0.35 cu. Ft. (9.9 liters)
Tuned to 55hZ Port =2.0”d x 6.5”l



Ported Box
Frequency Response @ 10 Watts

