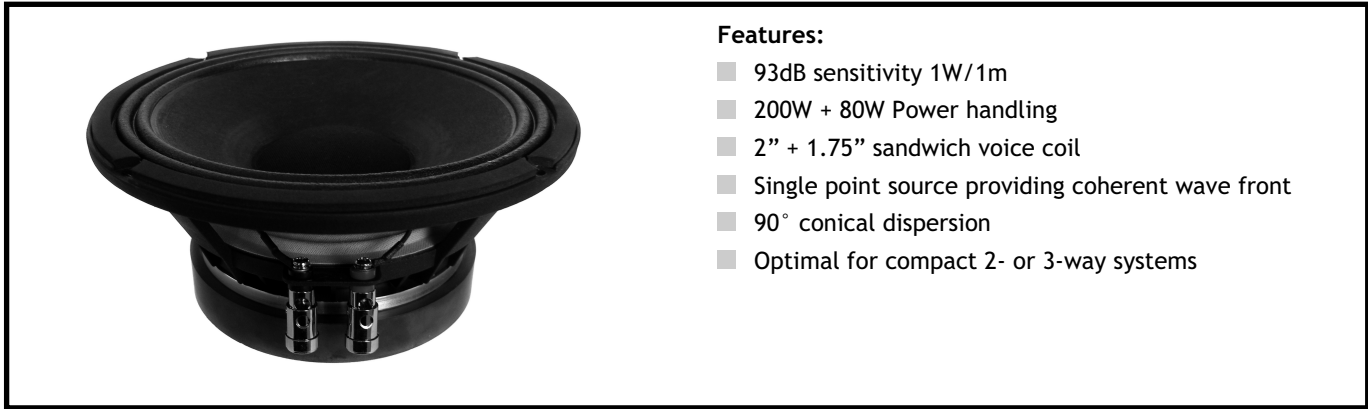


8C250

Coaxial Transducer

Coaxial series



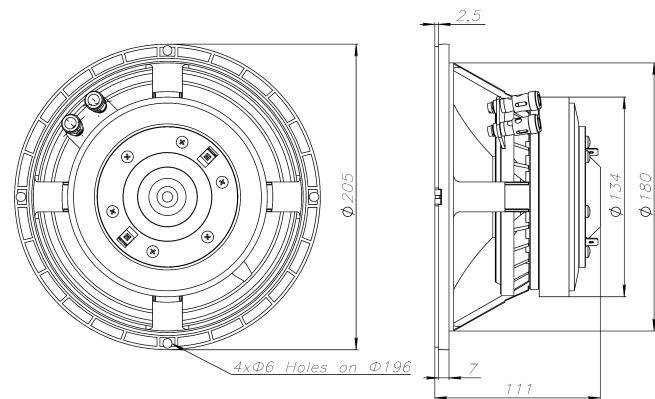
Features:

- 93dB sensitivity 1W/1m
- 200W + 80W Power handling
- 2" + 1.75" sandwich voice coil
- Single point source providing coherent wave front
- 90° conical dispersion
- Optimal for compact 2- or 3-way systems

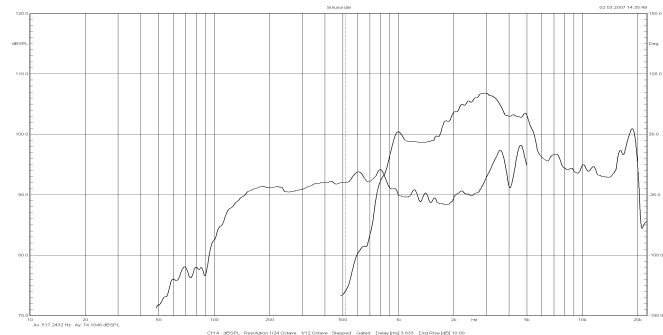
SPECIFICATIONS

APPLICATION	Transducer		
Nominal impedance	Ohm	8 or 16	
Power handling AES noise	W	200	
Sensitivity (1W/1m)	dB	93	
Frequency response	Hz	70 - 3000	
Voice coil diameter	mm	51 (2")	
Voice coil material		Cu	
Voice coil winding depth	mm	15	
Magnet gap depth	mm	6.5	
Basket		Cast Aluminium	
Effect. diaphragm diameter D	mm	160	
THIELE - SMALL PARAMETERS			
Resonance frequency	Fs	Hz	79.1
DC resistance	Re	Ohm	5.40
Mechanical Q factor	Qms		4.85
Electrical Q factor	Qes		0.61
Total Quality factor	Qts		0.52
Equivalent volume	Vas	L	10.18
Moving mass	Mms	kg	0.0183
Mechanical compl.	Cms	mm/N	0.18
BL factor	BL	Tesla/ m	9.95
Effective piston area	Sd	m ²	0.0201
Max. linear excursion	Xmax	mm	± 4.25
SPECIFICATIONS HIGH FREQUENCY			
Nominal impedance	Ohm	16	
Power handling AES	W	80	
Peak Power	W	300	
Sensitivity (1W/1m)	dB	109	
Frequency range	Hz	1000-20000	
Recommended crossover	Hz	1500	
Voice coil diameter	mm	44.4 (1.75")	
Magnet material		Ceramic	
Fluchs density	T	1.8	
Voice coil material	Copper Clad Aluminium		
	(2Layers in and outside of the VC)		
Voice coil former		Kapton™	
Diaphragm material		Polyester	

Recommended reflex enclosure:
 12L/65Hz, BRD=60mm/114mm long
 8 - 12L closed box



Frequency response measured 10W (8.94V) at 1m in a closed enclosure of 100 litre.



MOUNTING INFORMATION		
Overall diameter	mm	205
Mounting holes diameter	mm	4 x (6 x 6.5)
Bolt circle diameter	mm	196
Baffle cut-out diameter	mm	182
Overall depth	mm	111
Net weight	kg	3

Coaxial Drivers