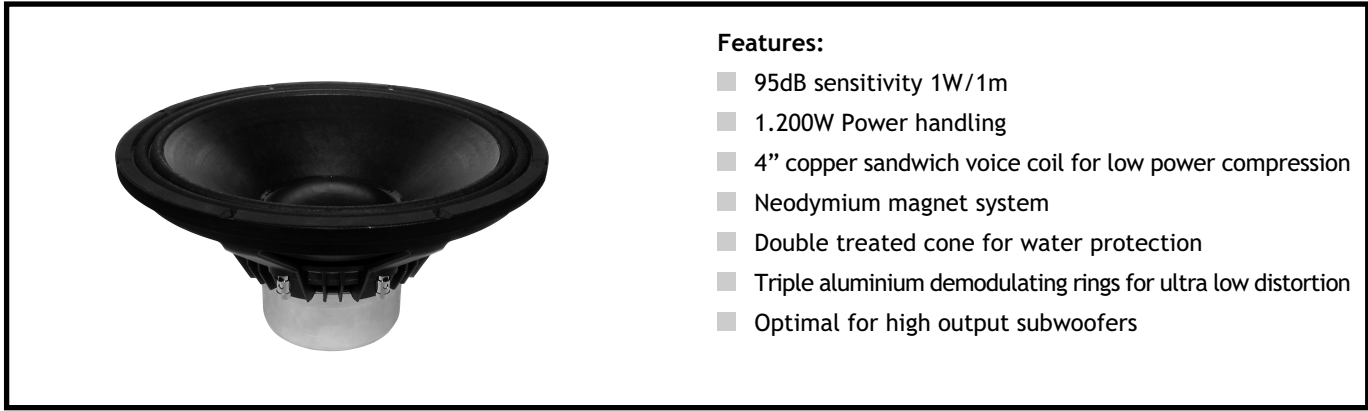


15N850v2

Neodymium Ultra Low Distortion Woofer

Ultra low distortion series

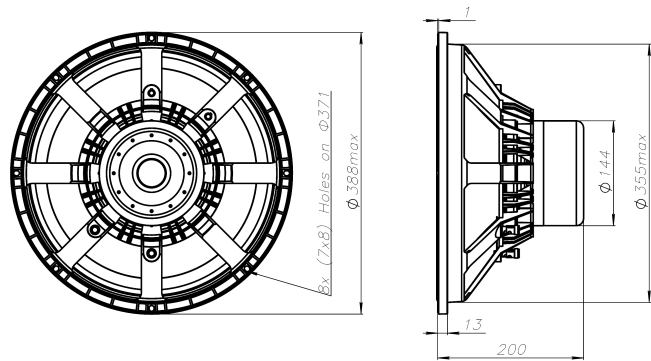


Features:

- 95dB sensitivity 1W/1m
- 1.200W Power handling
- 4" copper sandwich voice coil for low power compression
- Neodymium magnet system
- Double treated cone for water protection
- Triple aluminium demodulating rings for ultra low distortion
- Optimal for high output subwoofers

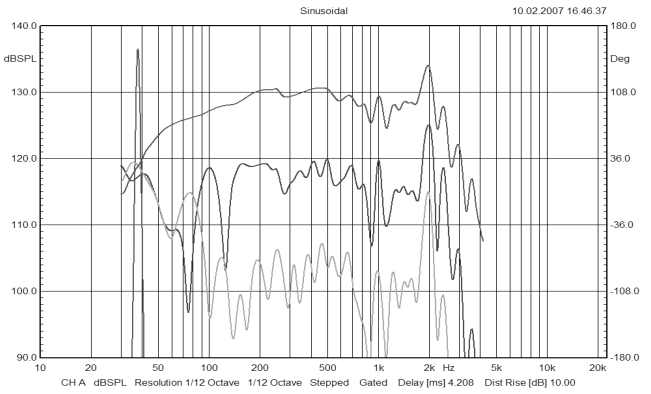
SPECIFICATIONS

APPLICATION	subwoofer	
Nominal impedance	Ohm	8
Power handling AES noise	W	1200
Sensitivity (1W/1m)	dB	95
Frequency response	Hz	20 - 200
Voive coil diameter	mm	101.6 (4")
Voice coil material		Cu
Voice coil winding depth	mm	38
Magnet gap depth	mm	12
Basket		Cast Aluminium
Effect. diaphragm diameter D	mm	328



THIELE - SMALL PARAMETERS			
Resonance frequency	Fs	Hz	38.2
DC resistance	Re	Ohm	5
Mechanical Q factor	Qms		4.2
Electrical Q factor	Qes		0.32
Total Quality factor	Qts		0.3
Equivalent volume	Vas	L	103.5
Moving mass	Mms	kg	0.171
Mechanical compl.	Cms	mm/N	0.1
BL factor	BL	Tesla m	25.4
Effective piston area	Sd	m ²	0.0855
Max. linear excursion	Xmax	mm	± 13
Voice coil inductance	Le1k	mH	0.76
	Le10k	mH	0.45

Frequency response measured 1000W (89.4V) at 1m in a closed enclosure of 100 litre incl. 2nd and 3rd harmonic distortion raised 10dB.



MOUNTING INFORMATION		
Overall diameter	mm	388
Mounting holes diameter	mm	8 x (7 x 8)
Bolt circle diameter	mm	371
Baffle cut-out diameter	mm	357
Overall depth	mm	200
Net weight	kg	8.55

Recommended reflex enclosure:
 50L/43Hz, BRD=160mm/522mm long
 75L/35Hz, BRD=175mm/64mm long

