

Features:

- 98dB sensitivity 1W/1m
- 500W Power handling
- Extremely light weight of 3.7 kg
- 3" copper sandwich voice coil for low power compression
- Neodymium magnet system
- Triple aluminium demodulating rings for ultra low distortion
- Optimal for compact 2- or 3-way systems

SPECIFICATIONS

APPLICATION	Low-Middle	
Nominal impedance	Ohm	8
Power handling AES noise	W	500
Sensitivity (1W/1m)	dB	98
Frequency response	Hz	35 - 2500
Voive coil diameter	mm	77 (3")
Voive coil winding depth	mm	19
Magnet gap depth	mm	8
Voice coil material		Cu
Basket		Cast Aluminium
Effect. diaphragm diameter D	mm	335

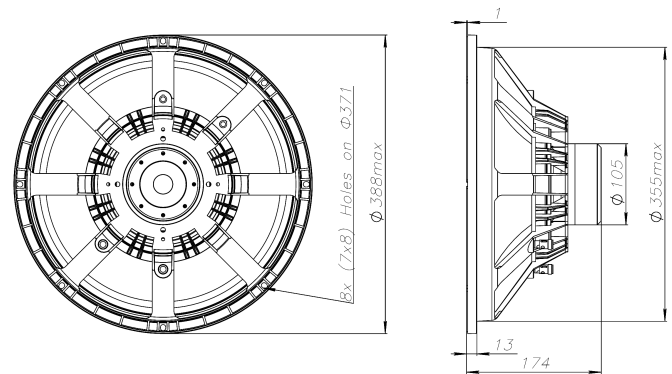
THIELE - SMALL PARAMETERS			
Resonance frequency	Fs	Hz	40.0
DC resistance	Re	Ohm	5.90
Mechanical Q factor	Qms		6.10
Electrical Q factor	Qes		0.33
Total Quality factor	Qts		0.31
Equivalent volume	Vas	L	144.8
Moving mass	Mms	kg	0.115
Mechanical compl.	Cms	mm/N	0.140
BL factor	BL	Tesla m	22.90
Effective piston area	Sd	m ²	0.0880
Max. linear excursion	Xmax	mm	± 5.5
Voice coil inductance	Le1k	mH	1.28
	Le10k	mH	0.48

MOUNTING INFORMATION		
Overall diameter	mm	388
Mounting holes diameter	mm	8 x (7 x 8)
Bolt circle diameter	mm	371
Baffle cut-out diameter	mm	358
Overall depth	mm	174
Net weight	kg	3.7

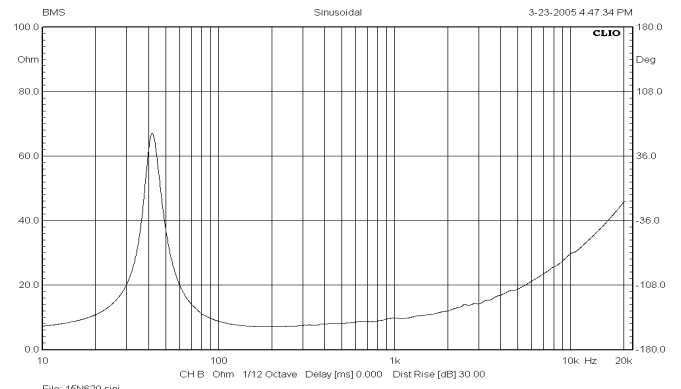
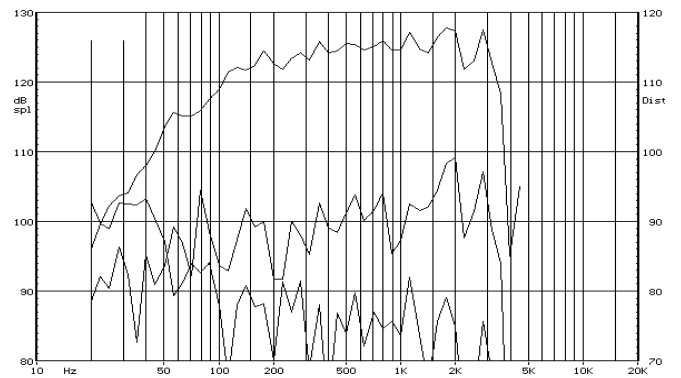
Recommended reflex enclosure:

60L/50Hz, -3dB=56Hz, BRD=130mm/150mm long

80L/45Hz, -3dB=50Hz, BRD=140mm/162mm long



Frequency response measured 100W (28.3V) at 1m in a closed enclosure of 100 litre in an anechoic chamber incl. 2nd and 3rd harmonic distortion raised 20dB.



File: 15N620.sini