

12N820

Neodymium Ultra Low Distortion Low Midrange Driver

Neodymium series

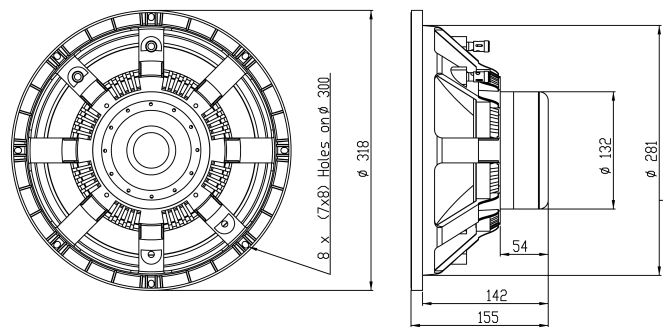


Features:

- 98dB sensitivity 1W/1m
- 800W Power handling
- Extremely light weight of 5.5 kg
- 4" copper sandwich voice coil for low power compression
- Double treated cone for water protection
- Neodymium magnet system
- Triple aluminium demodulating rings for ultra low distortion
- Optimal for compact 2- or 3-way systems

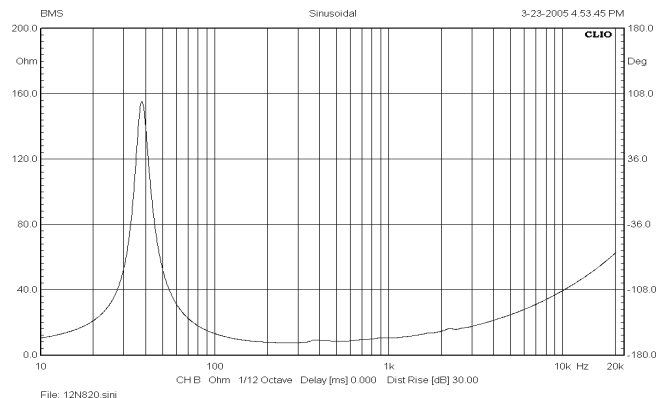
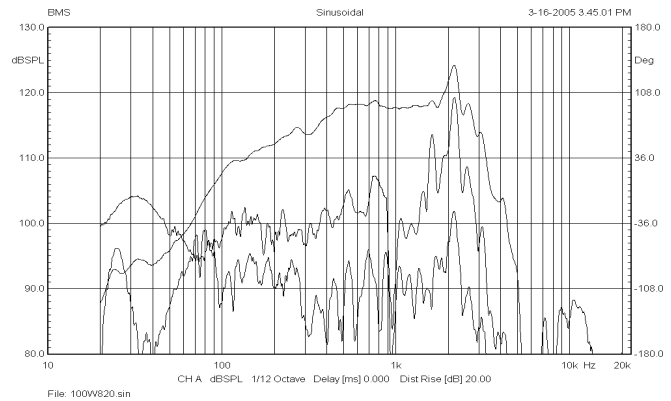
SPECIFICATIONS

APPLICATION	Low-Middle	
Nominal impedance	Ohm	8
Power handling AES noise	W	800
Sensitivity (1W/1m)	dB	98
Frequency response	Hz	45 - 1700
Voive coil diameter	mm	101.6 (4")
Voice coil material		Cu
Voice coil winding depth	mm	19
Magnet gap depth	mm	10
Basket		Cast Aluminium
Effect. diaphragm diameter D	mm	260



THIELE - SMALL PARAMETERS			
Resonance frequency	Fs	Hz	37.5
DC resistance	Re	Ohm	5.70
Mechanical Q factor	Qms		6.00
Electrical Q factor	Qes		0.19
Total Quality factor	Qts		0.18
Equivalent volume	Vas	L	80.90
Moving mass	Mms	kg	0.088
Mechanical compl.	Cms	mm/N	0.205
BL factor	BL	Tesla m	25
Effective piston area	Sd	m ²	0.0531
Max. linear excursion	Xmax	mm	± 4.5
Voice coil inductance	Le1k	mH	1.67
	Le10k	mH	0.61

Frequency response measured 100W (28.3V) at 1m in a closed enclosure of 50 litre in an anechoic chamber incl. 2nd and 3rd harmonic distortion raised 20dB.



MOUNTING INFORMATION		
Overall diameter	mm	318
Mounting holes diameter	mm	8 x (7 x 8)
Bolt circle diameter	mm	300
Baffle cut-out diameter	mm	283
Overall depth	mm	155
Net weight	kg	5.5

Recommended reflex enclosure:

8L/77Hz, -3dB=104Hz, BRD=70mm/178mm long

20L/64Hz, -3dB=70Hz, BRD=90mm/155mm long