

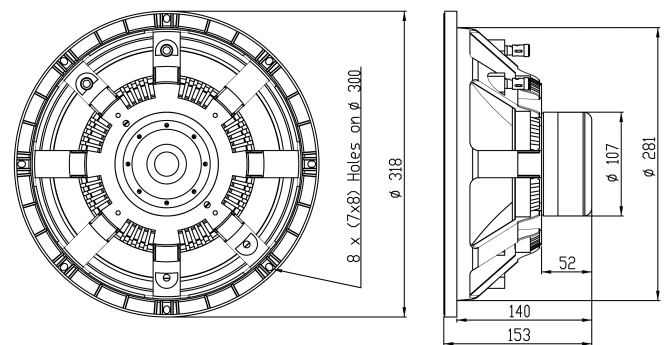


Features:

- 98dB sensitivity 1W/1m
- 500W Power handling
- Extremely light weight of 3.5kg
- 3" copper sandwich voice coil for low power compression
- Double treated cone for water protection
- Neodymium magnet system
- Triple aluminium demodulating rings for ultra low distortion
- Optimal for compact 2- or 3-way systems

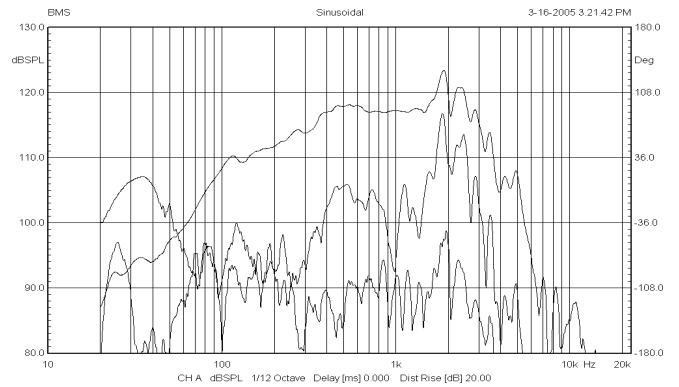
SPECIFICATIONS

| APPLICATION | Low-Middle | |
|------------------------------|------------|----------------|
| Nominal impedance | Ohm | 8 |
| Power handling AES noise | W | 500 |
| Sensitivity (1W/1m) | dB | 98 |
| Frequency response | Hz | 45 - 2500 |
| Voive coil diameter | mm | 77 (3") |
| Voice coil material | | Cu |
| Voice coil winding depth | mm | 19 |
| Magnet gap depth | mm | 8 |
| Basket | | Cast Aluminium |
| Effect. diaphragm diameter D | mm | 260 |

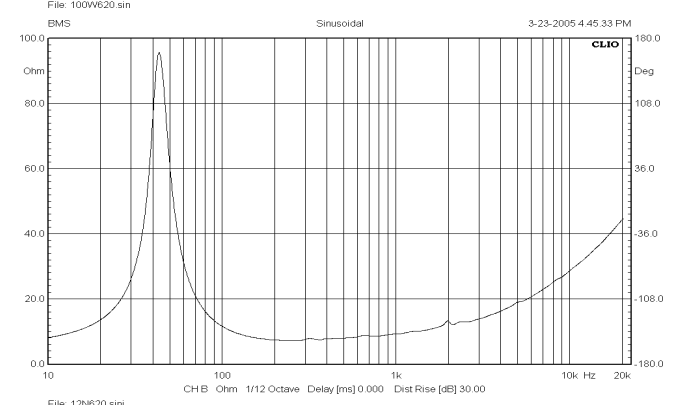


| THIELE - SMALL PARAMETERS | | | |
|---------------------------|-------|----------------|--------|
| Resonance frequency | Fs | Hz | 43.6 |
| DC resistance | Re | Ohm | 5.70 |
| Mechanical Q factor | Qms | | 5.44 |
| Electrical Q factor | Qes | | 0.29 |
| Total Quality factor | Qts | | 0.27 |
| Equivalent volume | Vas | L | 67.30 |
| Moving mass | Mms | kg | 0.078 |
| Mechanical compl. | Cms | mm/N | 0.170 |
| BL factor | BL | Tesla m | 20.60 |
| Effective piston area | Sd | m ² | 0.0531 |
| Max. linear excursion | Xmax | mm | ± 5.5 |
| Voice coil inductance | Le1k | mH | 1.14 |
| | Le10k | mH | 0.45 |

Frequency response measured 100W (28.3V) at 1m in a closed enclosure of 50 litre in an anechoic chamber incl. 2nd and 3rd harmonic distortion raised 20dB.



| MOUNTING INFORMATION | | |
|-------------------------|----|-------------|
| Overall diameter | mm | 318 |
| Mounting holes diameter | mm | 8 x (7 x 8) |
| Bolt circle diameter | mm | 300 |
| Baffle cut-out diameter | mm | 283 |
| Overall depth | mm | 145 |
| Net weight | kg | 3.5 |



Recommended reflex enclosure:

17L/62Hz, -3dB=75Hz, BRD=80mm/148mm long

25L/60Hz, -3dB=63Hz, BRD=100mm/177mm long