

# 12N610

Neodymium Ultra Low Distortion Low Midrange Driver

Neodymium series

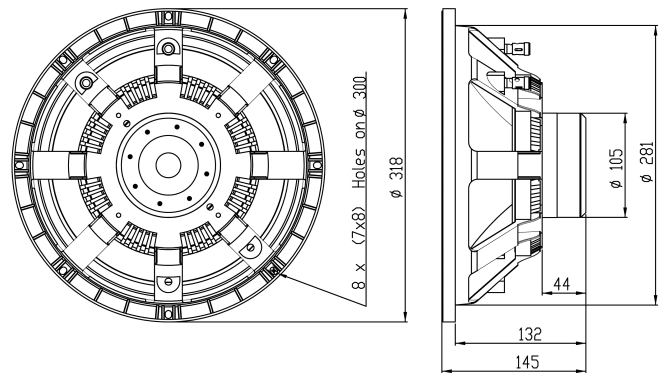


### Features:

- 99dB sensitivity 1W/1m
- 400W Power handling
- Extremely light weight of 3.2kg
- 3" copper sandwich voice coil for low power compression
- Double treated cone for water protection
- Neodymium magnet system
- Triple aluminium demodulating rings for ultra low distortion
- Optimal for compact 2- or 3-way systems

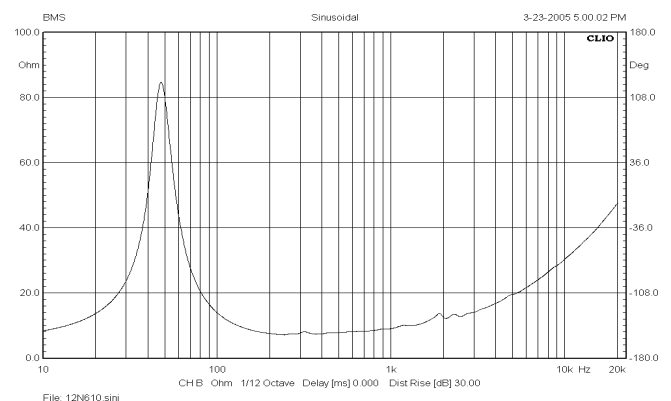
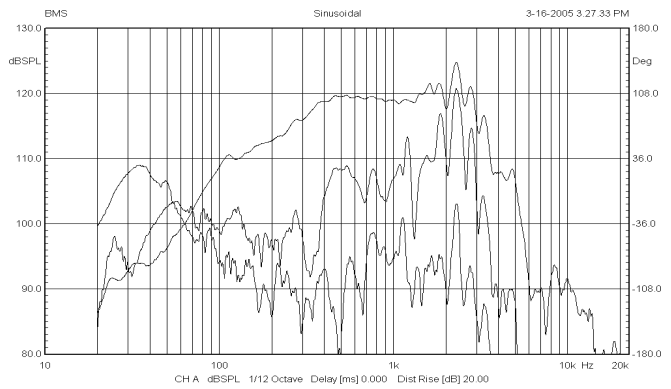
## SPECIFICATIONS

APPLICATION	Low-Middle	
Nominal impedance	Ohm	8
Power handling AES noise	W	400
Sensitivity ( 1W/1m )	dB	99
Frequency response	Hz	60 - 2500
Voive coil diameter	mm	77 (3")
Voice coil material		Cu
Voice coil winding depth	mm	15
Magnet gap depth	mm	8
Basket		Cast Aluminium
Effect. diaphragm diameter D	mm	260



THIELE - SMALL PARAMETERS			
Resonance frequency	Fs	Hz	44.7
DC resistance	Re	Ohm	5.70
Mechanical Q factor	Qms		4.25
Electrical Q factor	Qes		0.24
Total Quality factor	Qts		0.23
Equivalent volume	Vas	L	67.60
Moving mass	Mms	kg	0.074
Mechanical compl.	Cms	mm/N	0.171
BL factor	BL	Tesla m	22.22
Effective piston area	Sd	m <sup>2</sup>	0.0531
Max. linear excursion	Xmax	mm	± 3.5
Voice coil inductance	Le1k	mH	1.08
	Le10k	mH	0.38

Frequency response measured 100W (28.3V) at 1m in a closed enclosure of 50 litre in an anechoic chamber incl. 2nd and 3rd harmonic distortion raised 20dB.



MOUNTING INFORMATION		
Overall diameter	mm	318
Mounting holes diameter	mm	8 x (7 x 8)
Bolt circle diameter	mm	300
Baffle cut-out diameter	mm	283
Overall depth	mm	145
Net weight	kg	3.2

### Recommended reflex enclosure:

12L/72Hz, -3dB=94Hz, BRD=80mm/170mm long  
 20L/70Hz, -3dB=73Hz, BRD=100mm/157mm long

Neodymium Cone Drivers