

### TECHNICAL SPECIFICATIONS

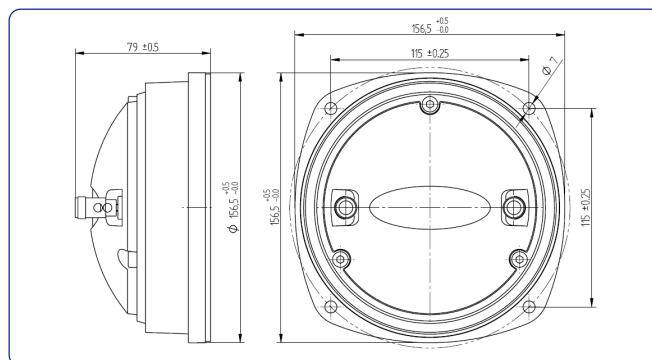
Rated impedance	16 ohms
Minimum impedance	9.8 ohms
Force (peak)	20 kgf 196 N
Power capacity (continuous)	50 w AES
Power capacity (maximum)	100 w
Resonant frequency, fs	47 Hz
Frequency range	20 - 100 Hz
Recommended low pass filter, fc.	120 Hz, 18 dB/oct min.
Voice coil diameter	77 mm. 3 in.



### MOUNTING INFORMATION

Overall dimensions	156.5 x 156.5 mm. 6.16 x 6.16 in.
Depth	79 mm. 3.11 in.
Mounting	Four Ø7 mm. passing holes, 90° apart on a 162.6 mm. (6.40 in.) diameter circle
Net weight	1.5 kg. 3.3 lb.
Shipping weight	1.6 kg. 3.52 lb.

### DIMENSION DRAWINGS



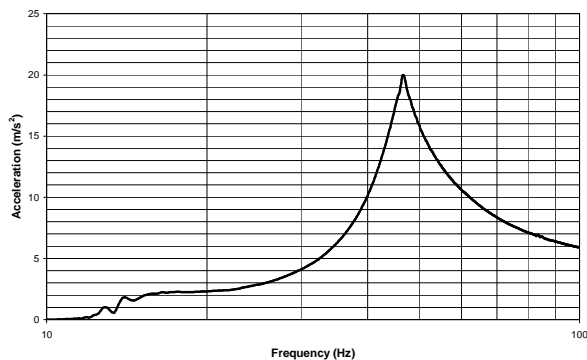
### MATERIALS

- **Voice coil:** copper
- **Voice coil former:** fiber glass
- **Magnet:** neodymium

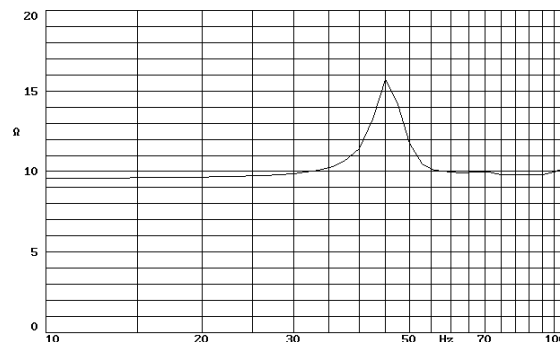
### GENERAL DESCRIPTION

This bass shaker has been designed in order to add new sensations to the state of the art home theatre systems. It features a 3" voice coil and an optimized neodymium magnetic system that allow it to reach an excellent performance: a peak force of 196 N and a maximum power handling of 100 w. For optimum results, a low pass filter with a cut frequency of 120 Hz should be used.

### FREQUENCY RESPONSE



### FREE AIR IMPEDANCE CURVE



Note: acceleration data were obtained applying maximum power.