

#### KEY FEATURES

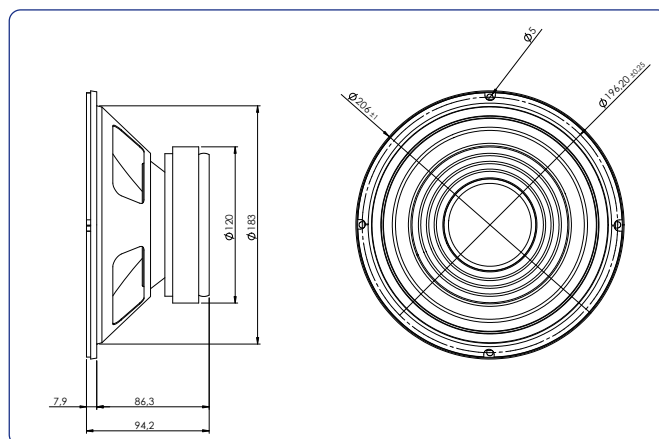
- 200 W program power.
- 92,4 dB, 2,83V @ 1m sensitivity.
- Extended controlled displacement:  $X_{max} \pm 6,7$  mm.
- Treated cloth surround.
- Smooth and flat response and low distortion.
- Suited for bass and midbass applications in small vented cabinets.
- Steel basket.
- Ferrite magnet.



#### TECHNICAL SPECIFICATIONS

Nominal diameter	200 mm	8 in
Rated impedance		8 $\Omega$
Minimum impedance		7,7 $\Omega$
Power capacity*		100 W <sub>RMS</sub>
Program power		200 W
Sensitivity	92,4 dB	2.83v @ 1m @ 2 $\pi$
Frequency range		40 - 5.000 Hz
Recom. enclosure vol.	20 / 60 l	0,71 / 2,12 ft <sup>3</sup>
Voice coil diameter	38,1 mm	1,5 in
Magnetic assembly weight	1,8 kg	3,97 lb
BL factor		9,8 N/A
Moving mass		0.022 kg
Voice coil length		16 mm
Air gap height		6 mm
X <sub>damage</sub> (peak to peak)		25 mm

#### DIMENSION DRAWINGS



#### MOUNTING INFORMATION

Overall diameter	206 mm	8,11 in
Bolt circle diameter	196,2 mm	7,72 in
Baffle cutout diameter:		
- Front mount	183 mm	7,2 in
- Rear mount	194 mm	7,64 in
Depth	86 mm	3,39 in
Volume displaced by driver	1,5 l	0,05 ft <sup>3</sup>
Net weight	2,18 kg	4,81 lb
Shipping weight	2,34 kg	5,16 lb

#### Notes:

\* The power capacity is determined according to AES2-1984 (r2003) standard. Program power is defined as the transducer's ability to handle normal music program material.

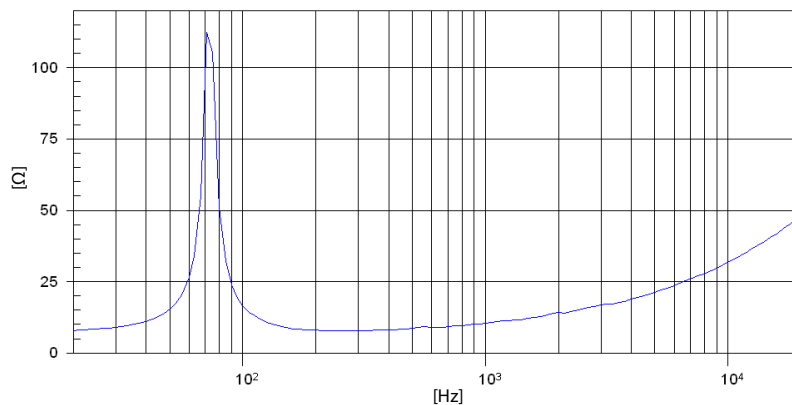
\*\* T-S parameters are measured after an exercise period using a preconditioning power test. The measurements are carried out with a velocity-current laser transducer and will reflect the long term parameters (once the loudspeaker has been working for a short period of time).

\*\*\* The  $X_{max}$  is calculated as  $(L_{vc} - H_{ag})/2 + (H_{ag}/3,5)$ , where  $L_{vc}$  is the voice coil length and  $H_{ag}$  is the air gap height.

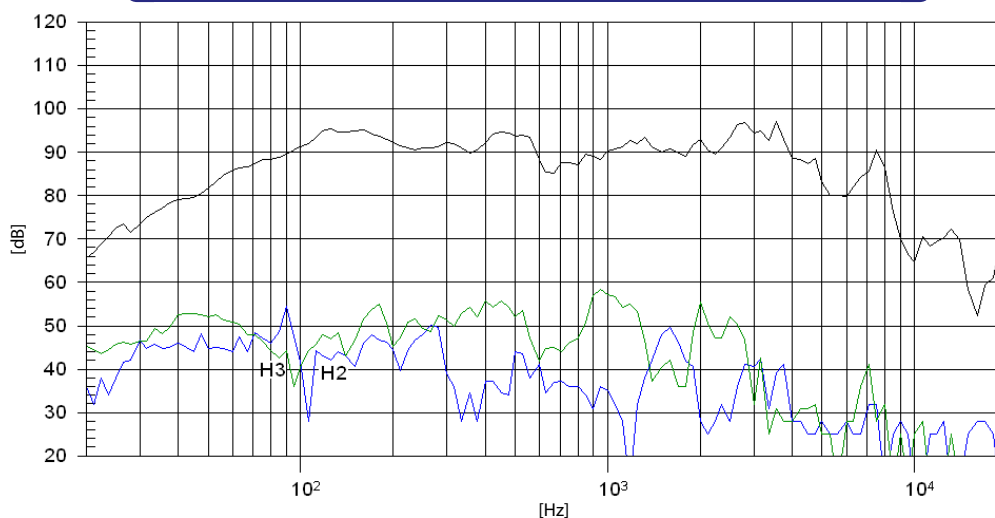
#### THIELE-SMALL PARAMETERS\*\*

Resonant frequency, $f_s$	73 Hz
D.C. Voice coil resistance, $R_e$	6,2 $\Omega$
Mechanical Quality Factor, $Q_{ms}$	13,46
Electrical Quality Factor, $Q_{es}$	0,65
Total Quality Factor, $Q_{ts}$	0,62
Equivalent Air Volume to $C_{ms}$ , $V_{as}$	14,6 l
Mechanical Compliance, $C_{ms}$	216 $\mu$ m / N
Mechanical Resistance, $R_{ms}$	0,75 kg / s
Efficiency, $\eta_0$	0,84 %
Effective Surface Area, $S_d$	0,022 m <sup>2</sup>
Maximum Displacement, $X_{max}$ ***	6,7 mm
Displacement Volume, $V_d$	124 cm <sup>3</sup>
Voice Coil Inductance, $L_e$ @ 1 kHz	1,2 mH

### FREE AIR IMPEDANCE CURVE



### FREQUENCY RESPONSE AND DISTORTION



Note: On axis frequency response measured with loudspeaker standing on infinite baffle in anechoic chamber, 1W @ 1m