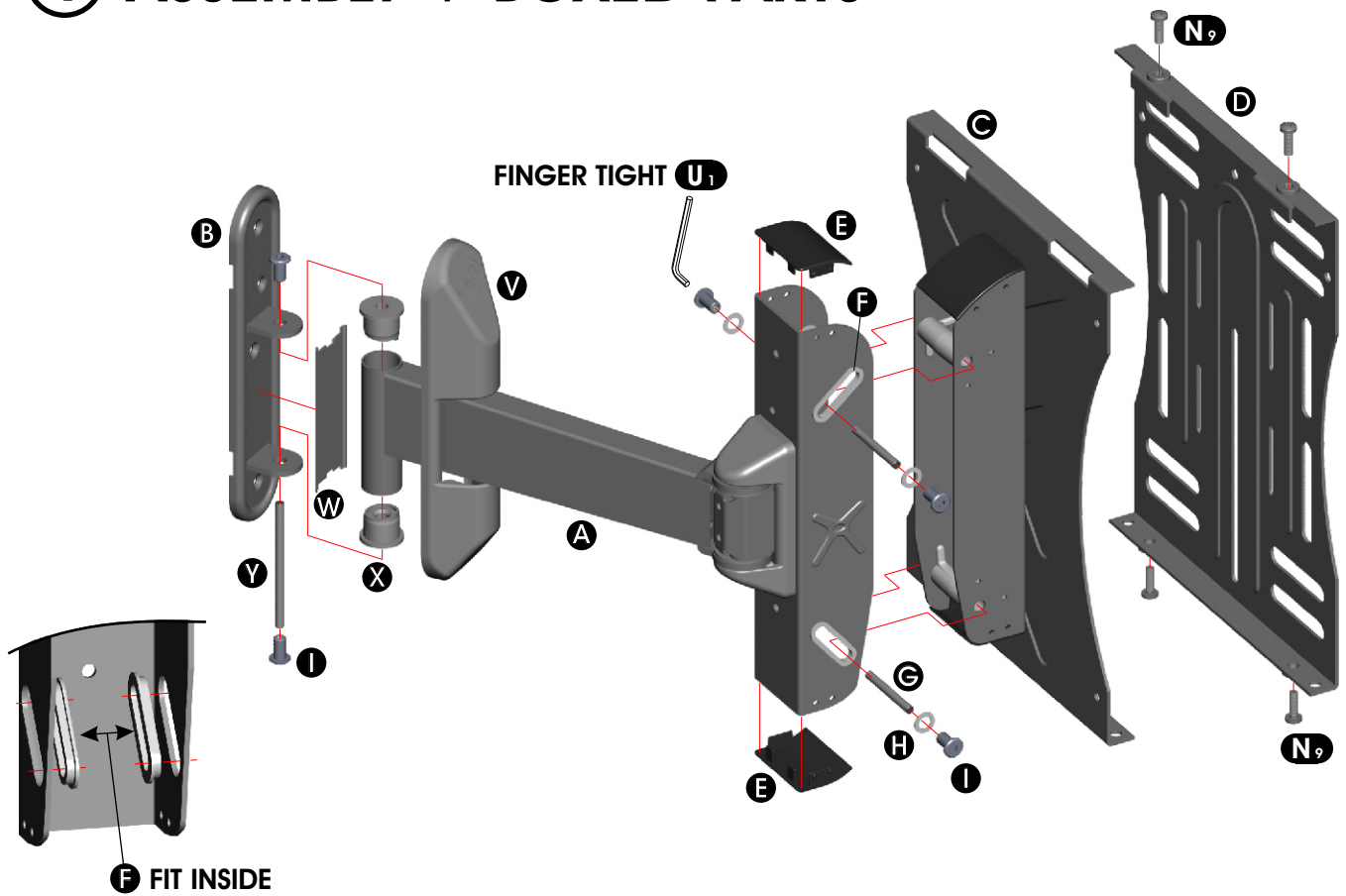
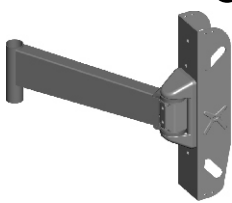

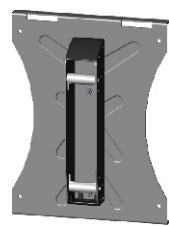
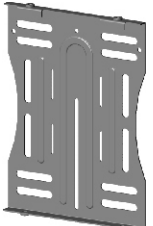

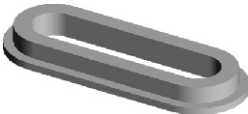


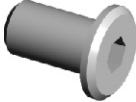
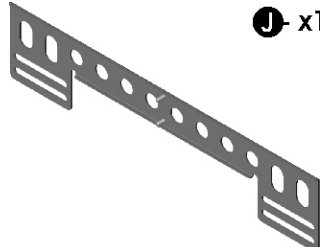
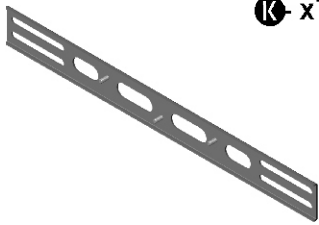
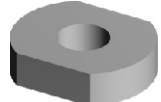













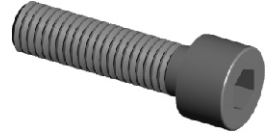
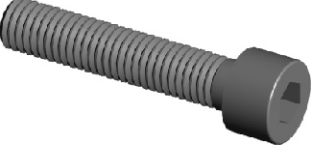
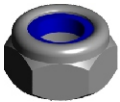





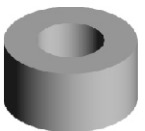



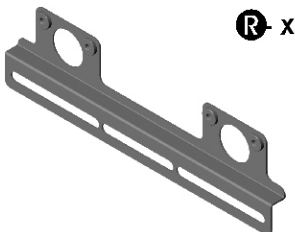
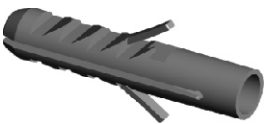


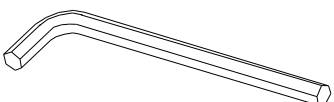

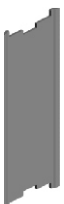
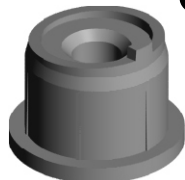
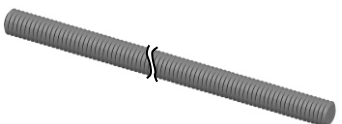
DIRECTIONS
For Model No.

FP 1003

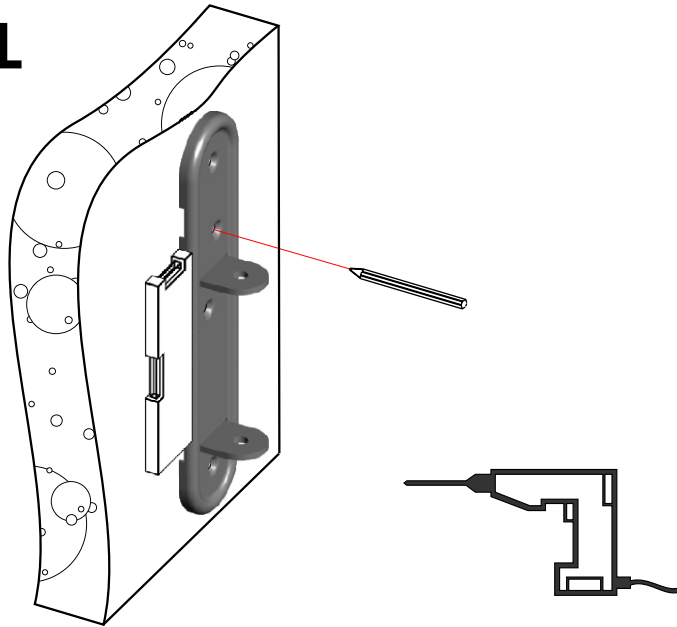
① ASSEMBLY + BOXED PARTS



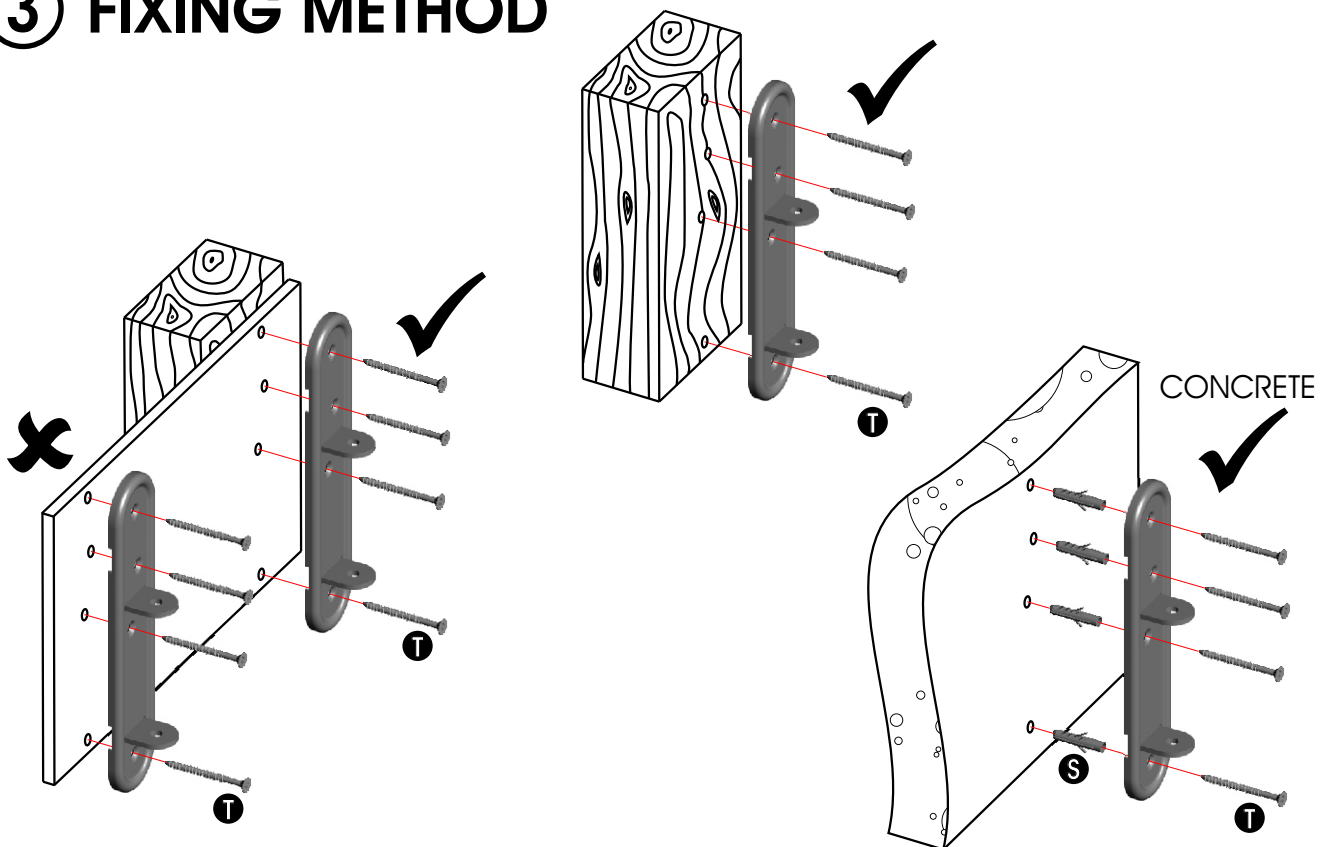
 <p>A - x1</p>	 <p>B - x1</p>	 <p>C - x1</p>	 <p>D - x1</p>
 <p>E - x2</p>	 <p>F - x4</p>	<p>M6 x 58 ALLTHREAD</p>  <p>G - x2</p>	<p>THIN WASHER</p>  <p>H - x4</p>
<p>M6 BARREL NUT</p>  <p>I - x4</p>	 <p>J - x1</p>	 <p>K - x1</p>	<p>PACKER</p>  <p>L - x5</p>
<p>PLUNGED WASHER</p>  <p>M - x12</p>	<p>M4 x 16 SCREW</p>  <p>N1 - x4</p>	<p>M4 x 20 SCREW</p>  <p>N2 - x4</p>	<p>M4 x 25 SCREW</p>  <p>N3 - x4</p>

<p>M4 x 30 SCREW N₄ x4</p> 	<p>M4 x 40 SCREW N₅ x4</p> 	<p>M5 x 16 SCREW N₆ x4</p> 	<p>M5 x 25 SCREW N₇ x4</p> 
<p>M5 x 35 SCREW N₈ x4</p> 	<p>M6 x 20 SCREW N₉ x8</p> 	<p>M8 x 16 SCREW N₁₀ x8</p> 	<p>M8 x 30 SCREW N₁₁ x4</p> 
<p>M8 x 40 SCREW N₁₂ x4</p> 	<p>M8 NUT O x5</p> 	<p>M4 WASHER P₁ x4</p> 	<p>M5 WASHER P₂ x4</p> 
<p>M6 WASHER P₃ x4</p> 	<p>NYLON WASHER P₄ x8</p> 	<p>M8 WASHER P₅ x2</p> 	<p>LARGE NYLON SPACER Q₁ x4</p> 
<p>SHORT NYLON SPACER Q₂ x4</p> 	<p>MEDIUM NYLON SPACER Q₃ x4</p> 	<p>LONG NYLON SPACER Q₄ x4</p> 	<p>R x2</p> 
<p>10mm WALL PLUG S x4</p> 	<p>No14 x 2 1/2" SCREW T x4</p> 	<p>5mm ALLEN KEY U₁ x2</p> 	<p>6mm ALLEN KEY U₂ x1</p> 
<p>V x1</p> 	<p>W x1</p> 	<p>X x2</p> 	<p>M6 x 100 ALLTHREAD Y x1</p> 

② MARK & DRILL



③ FIXING METHOD



IMPORTANT

WHEN FIXING TO BRICKWORK OR SOLID MASONRY USE SUITABLE WALL PLUGS AND SCREWS. DO NOT MOUNT ONTO SHEETROCK, PLASTERBOARD OR PANELED WALLS UNLESS ALL 4 SCREWS ARE FIXED INTO WOODEN BATTEN/STUD.

IT IS THE RESPONSIBILITY OF THE INSTALLER TO ENSURE THE WALL STRUCTURE AND FIXINGS ARE CAPABLE OF SUPPORTING THE SCREEN AND MOUNT IN A NORMAL WORKING ENVIRONMENT. IF YOU HAVE ANY DOUBTS REGARDING INSTALLATION CONSULT A QUALIFIED CONTRACTOR. CHECK THE STRENGTH OF THE INSTALLATION BEFORE INSTALLING THE SCREEN.

④ FIT SCREEN

COMPATIBILITY RANGE TABLE			
CONFIGURATION	HORIZONTAL FIXING CENTRES	VERTICAL FIXING CENTRES	VESA COMPATABILITY
FIG 5	870mm - 590mm (34 1/4" - 23 1/4")	400mm - 200mm (15 3/4" - 7 7/8")	800 x 400 600 x 400
FIG 4	870mm - 590mm (34 1/4" - 23 1/4")	405mm - 35mm (15 15/16" - 1 3/8")	800 x 400 600 x 400
FIG 1	700mm - 480mm (27 9/16" - 18 7/8")	400mm - 200mm (15 3/4" - 7 7/8")	600 x 400
FIG 2	700mm - 480mm (27 9/16" - 18 7/8")	235mm - 45mm (9 1/4" - 1 3/4")	
FIG 3	590mm - 310mm (23 1/4" - 12 3/16")	405mm - 35mm (15 15/164" - 1 3/8")	400 x 400
FIG 8	404mm - 223mm (15 7/8" - 8 3/4")	405mm - 32mm (15 15/16" - 1 1/4")	400 x 400
FIG 7	405mm - 32mm (15 15/16" - 1 1/4")	475mm (18 11/16")	400 x 200 200 x 200
	405mm - 32mm (15 15/16" - 1 1/4")	445mm (17 1/2")	
	405mm - 32mm (15 15/16" - 1 1/4")	405mm - 200mm (15 15/16" - 7 7/8")	
FIG 6	234mm - 113mm (9 3/16" - 4 7/16")	305mm (12")	200 x 200 200 x 100 100 x 100
	234mm - 113mm (9 3/16" - 4 7/16")	275mm (10 13/16")	
	234mm - 113mm (9 3/16" - 4 7/16")	245mm (9 5/8")	
	200mm (7 7/8")	205mm - 35mm (8 1/16" - 1 3/8")	
	100mm (3 15/16")	150mm - 50mm (5 7/8" - 1 15/16")	

MEASURE YOUR SCREEN'S FIXING CENTRES AND REFER TO TABLE ABOVE AND FOLLOWING ILLUSTRATIONS FOR GUIDANCE. NOT ALL PARTS ARE USED IN ALL CONFIGURATIONS. 8 TYPICAL CONFIGURATIONS ARE SHOWN (FIG's 1-8). YOUR SCREEN CONFIGURATION MAY VARY TO THOSE SHOWN. USE SUPPLIED ADAPTERS AND FIXINGS AS REQUIRED TO SUIT YOUR SCREEN. CALL HELPLINE IF ANY ASSISTANCE IS REQUIRED.

FIG 1

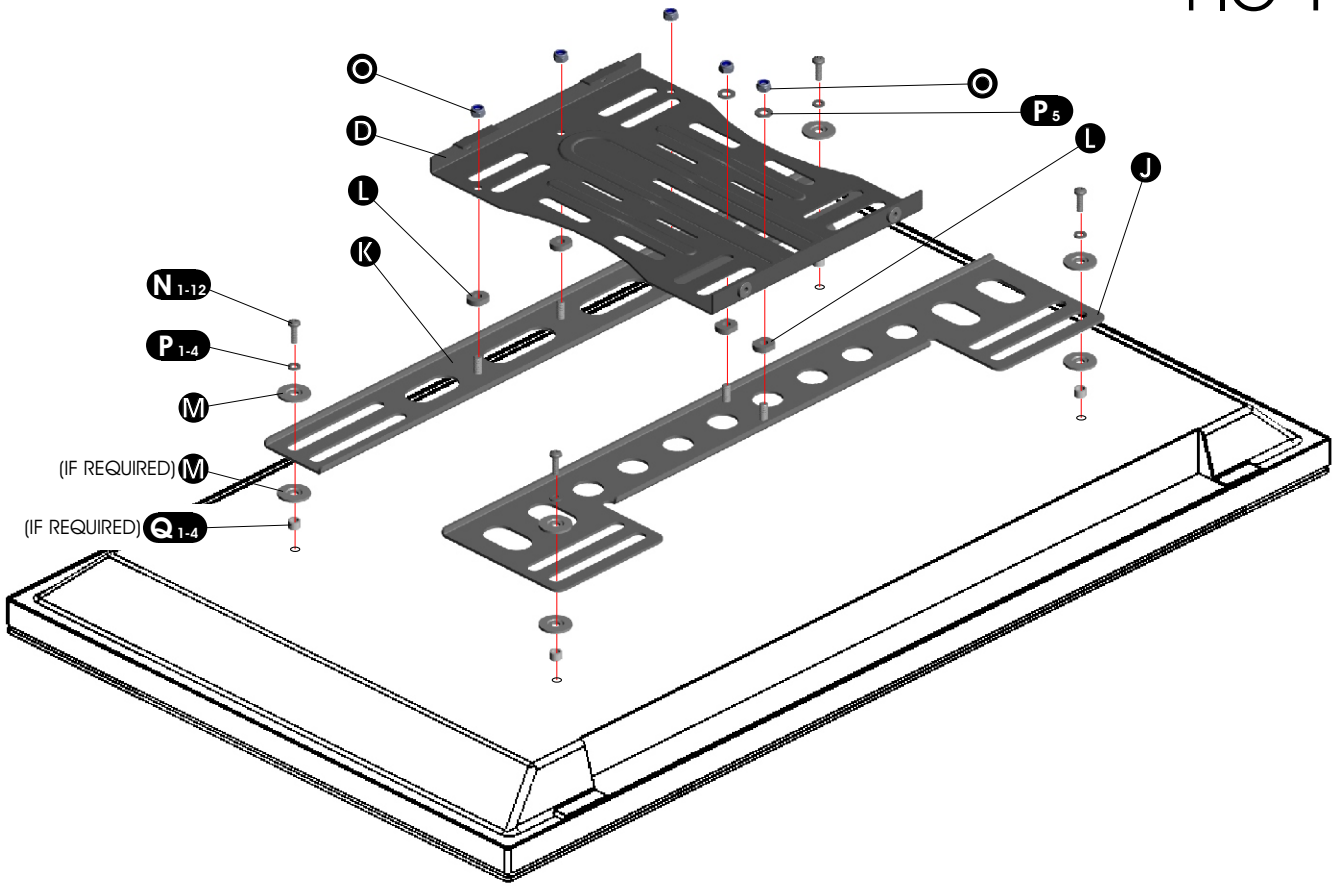


FIG 2

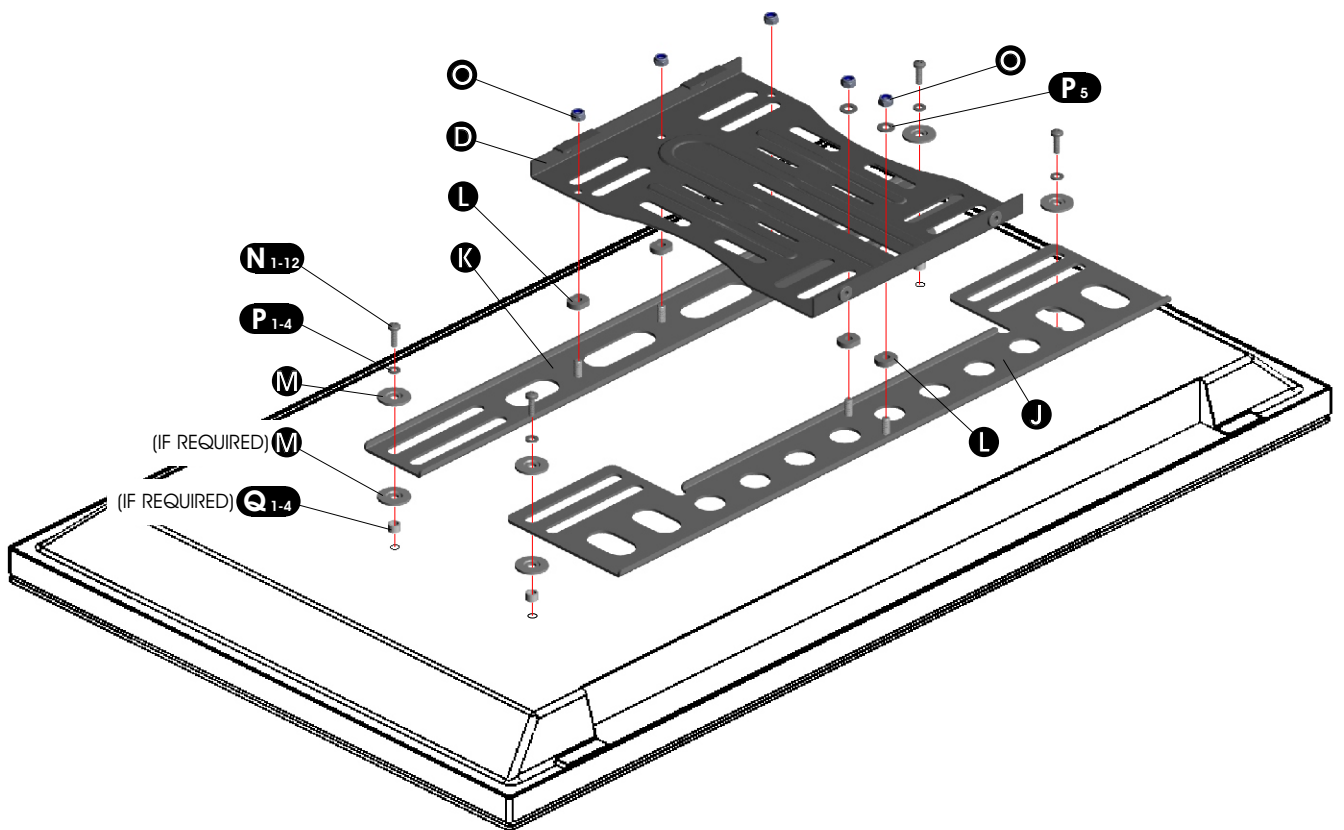


FIG 3

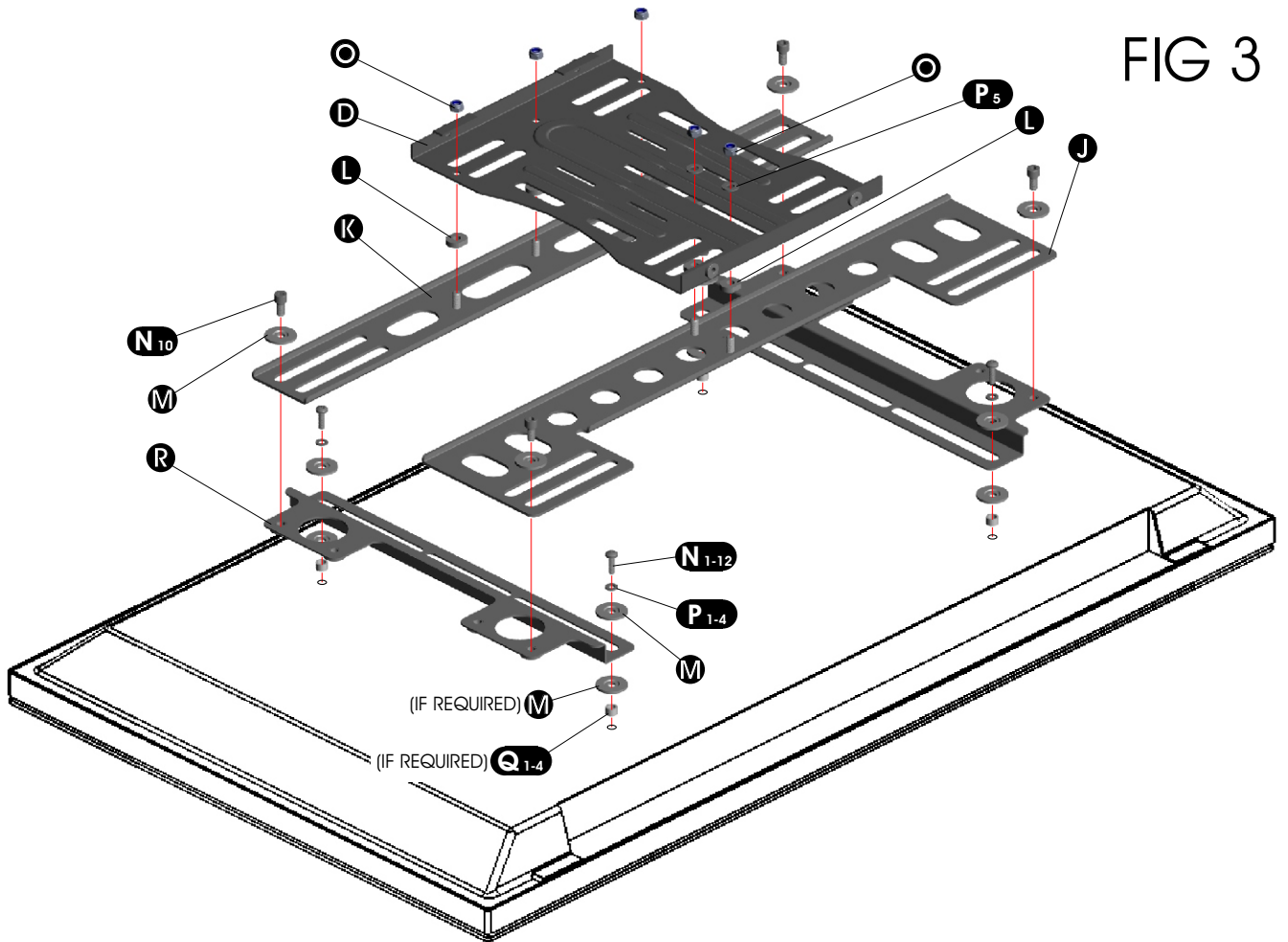


FIG 4

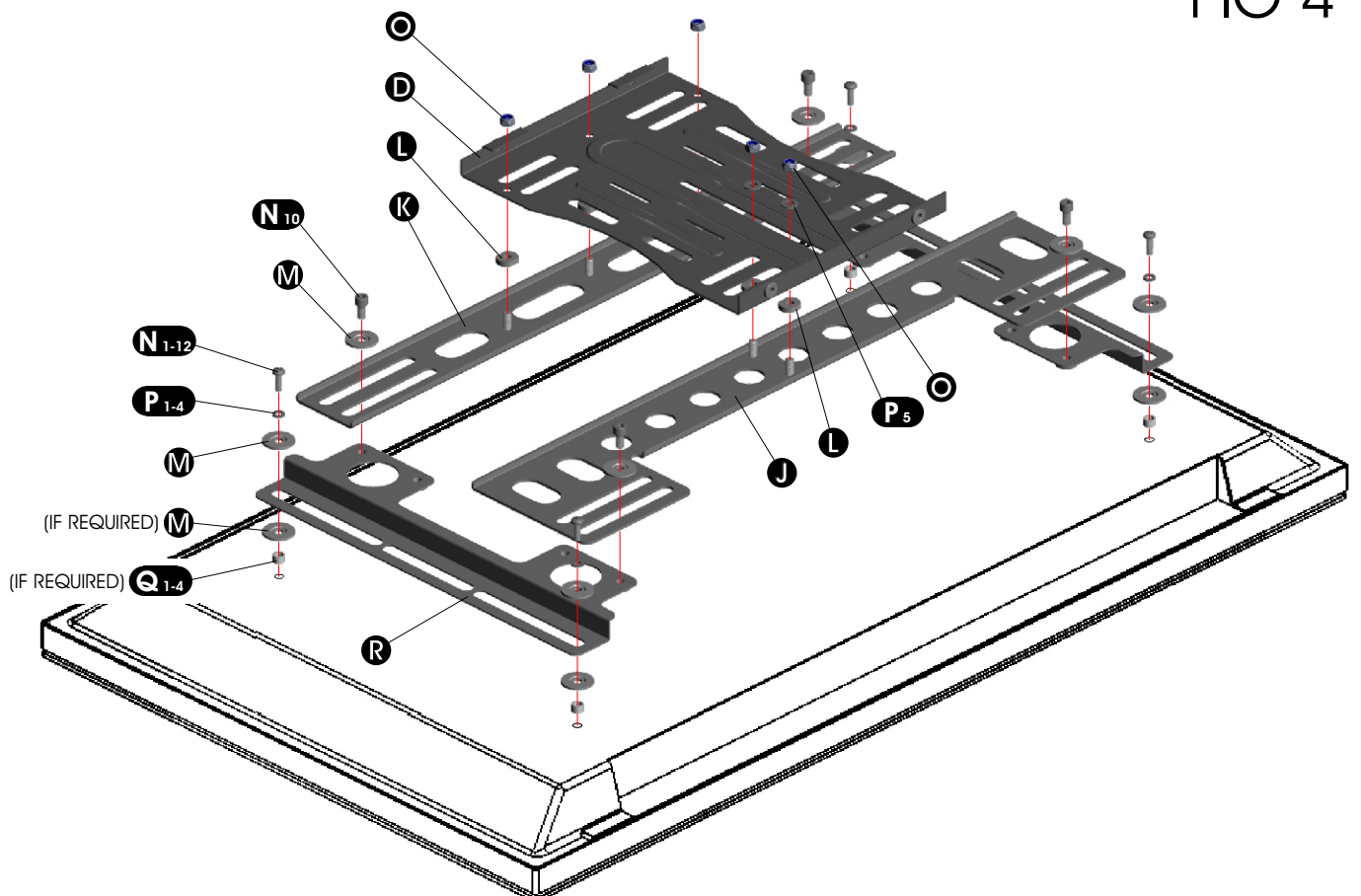


FIG 5

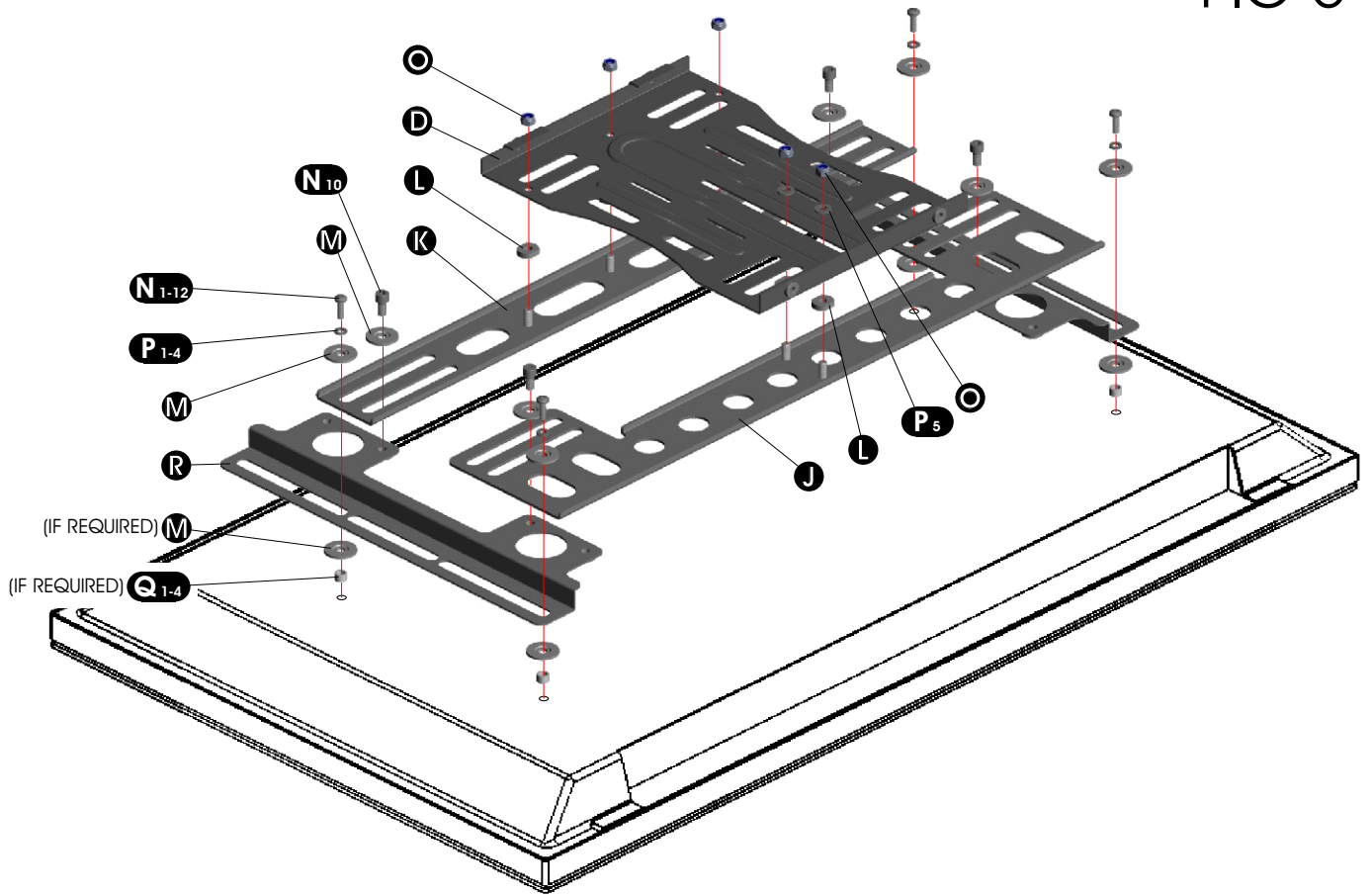


FIG 6

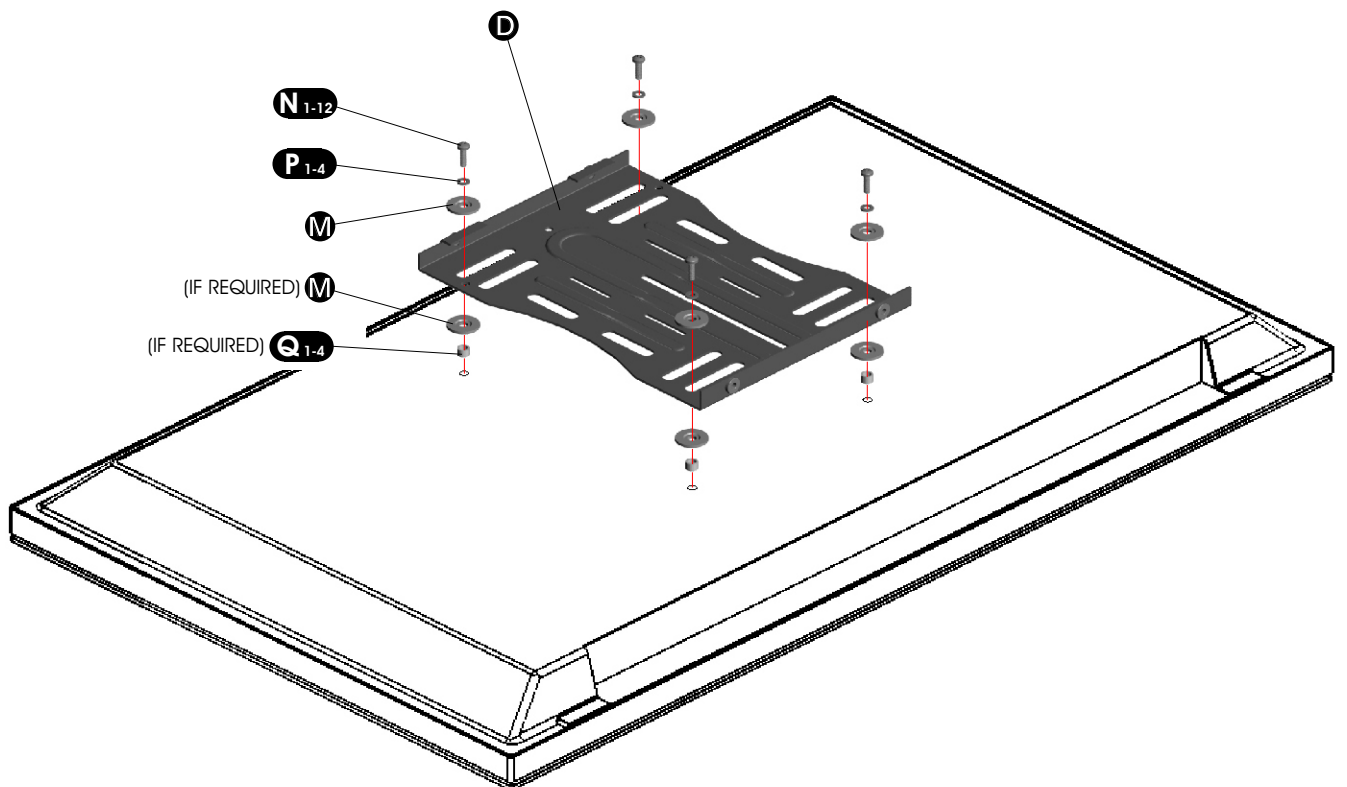


FIG 7

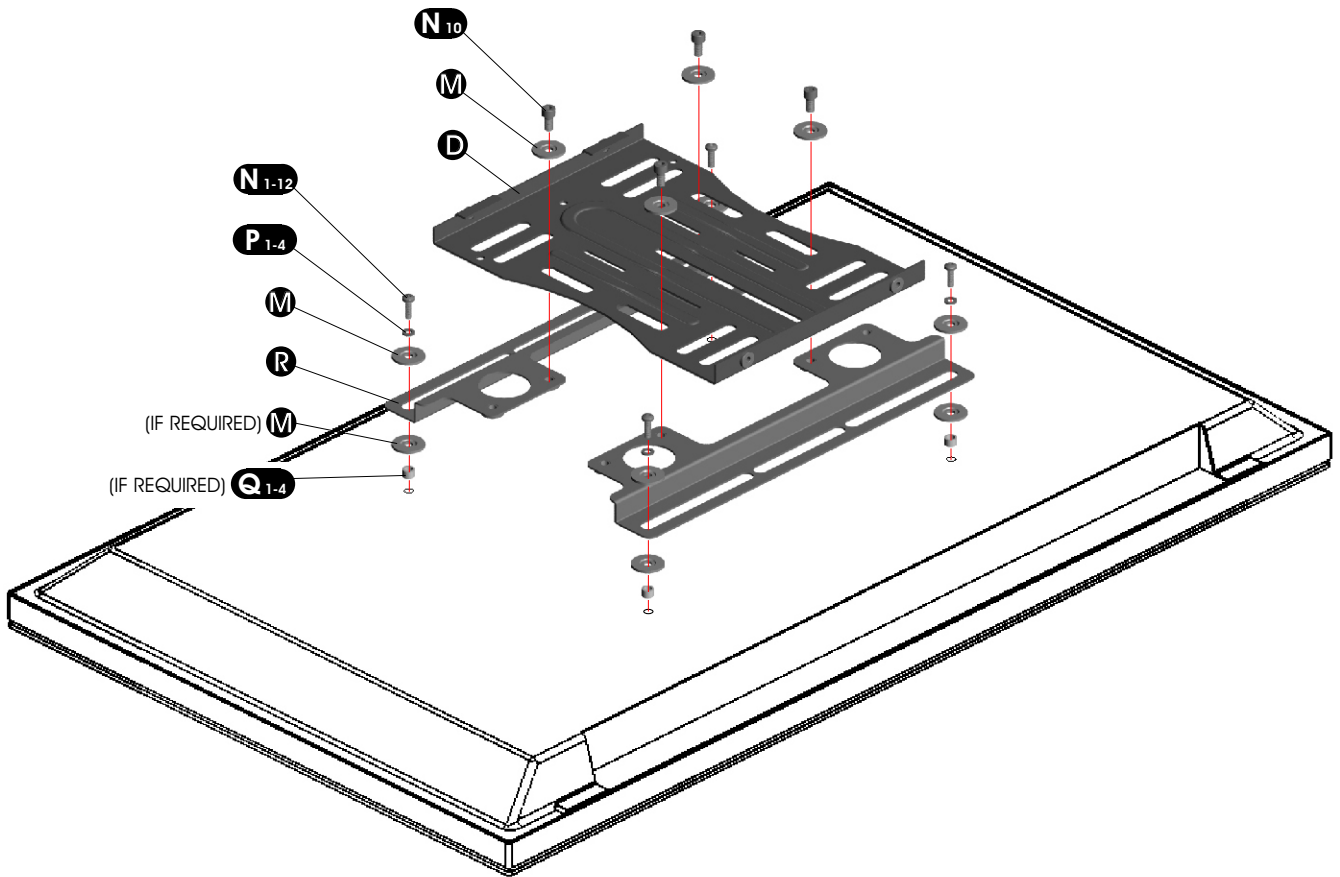
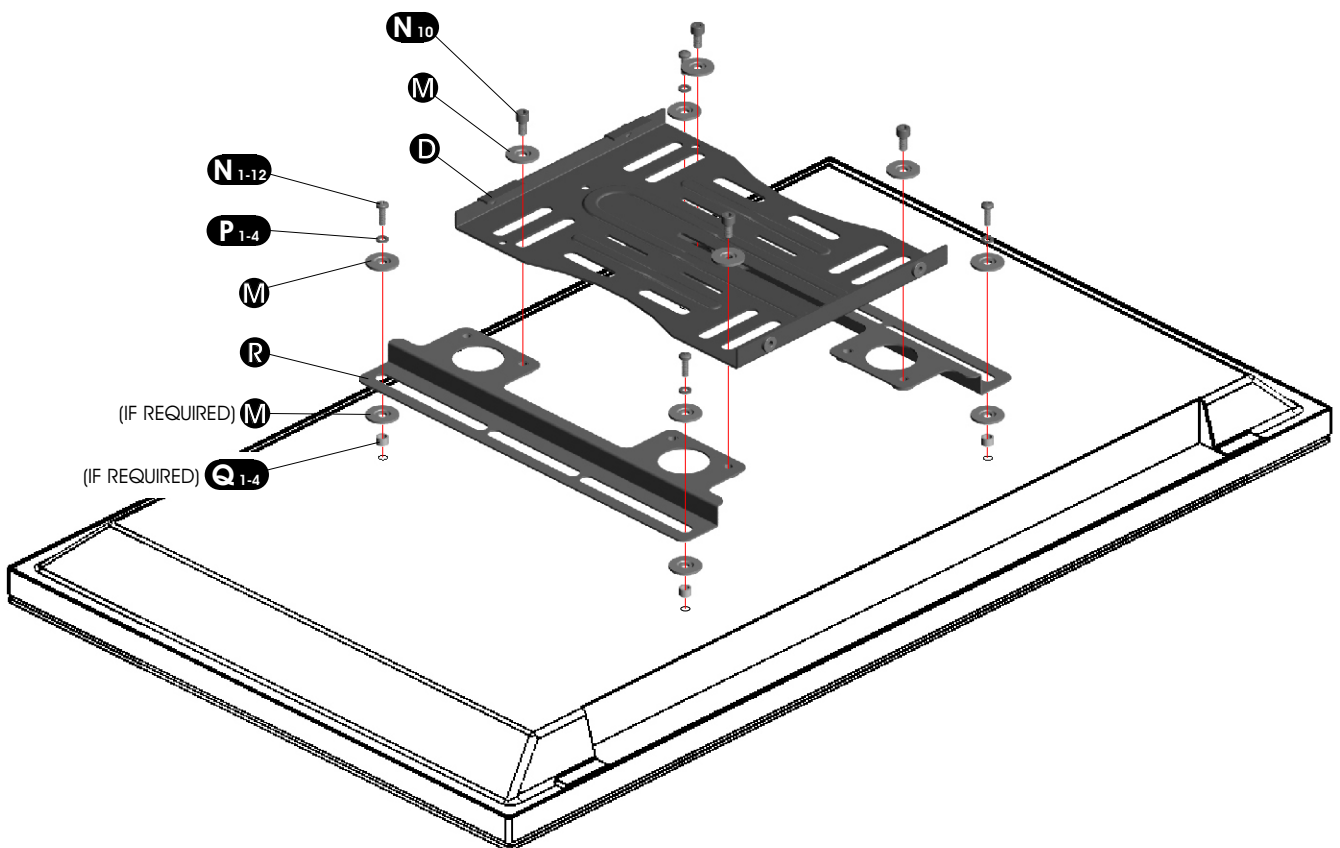
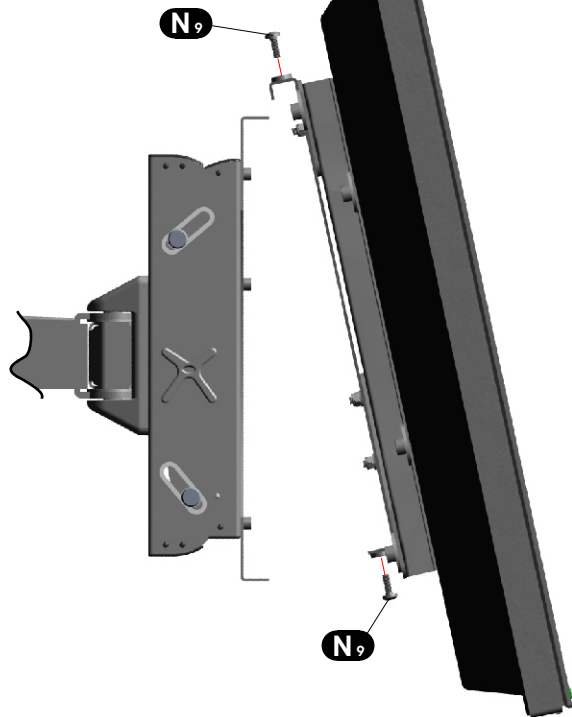


FIG 8

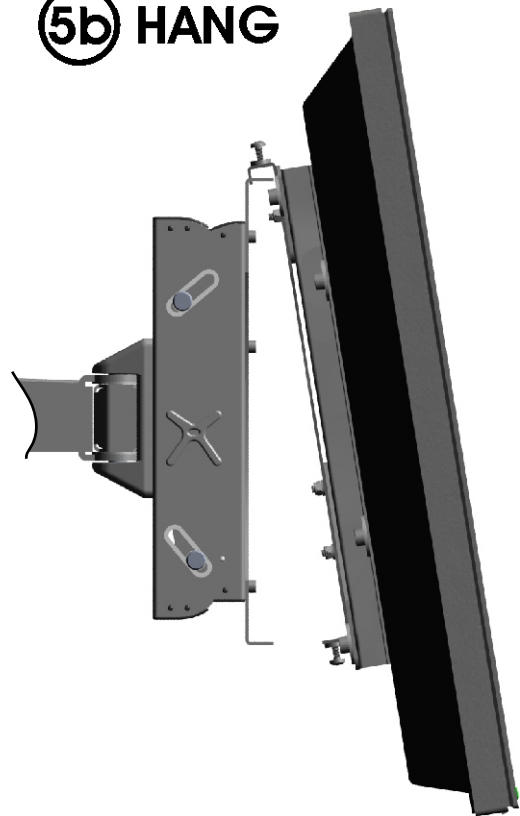


5 HANG

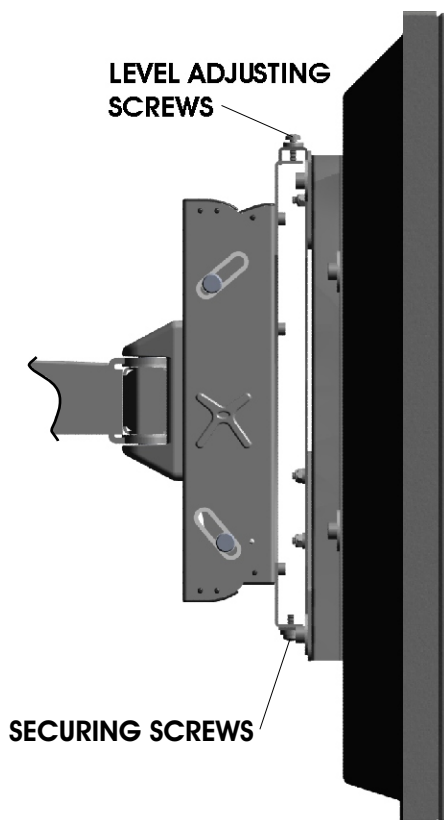
5a ASSEMBLE



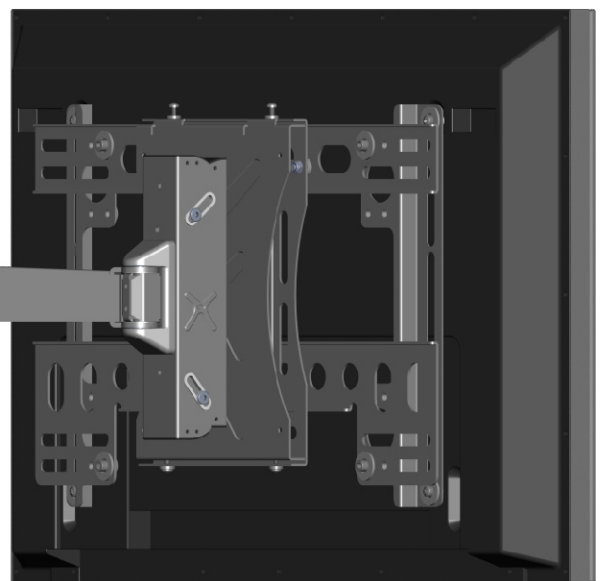
5b HANG



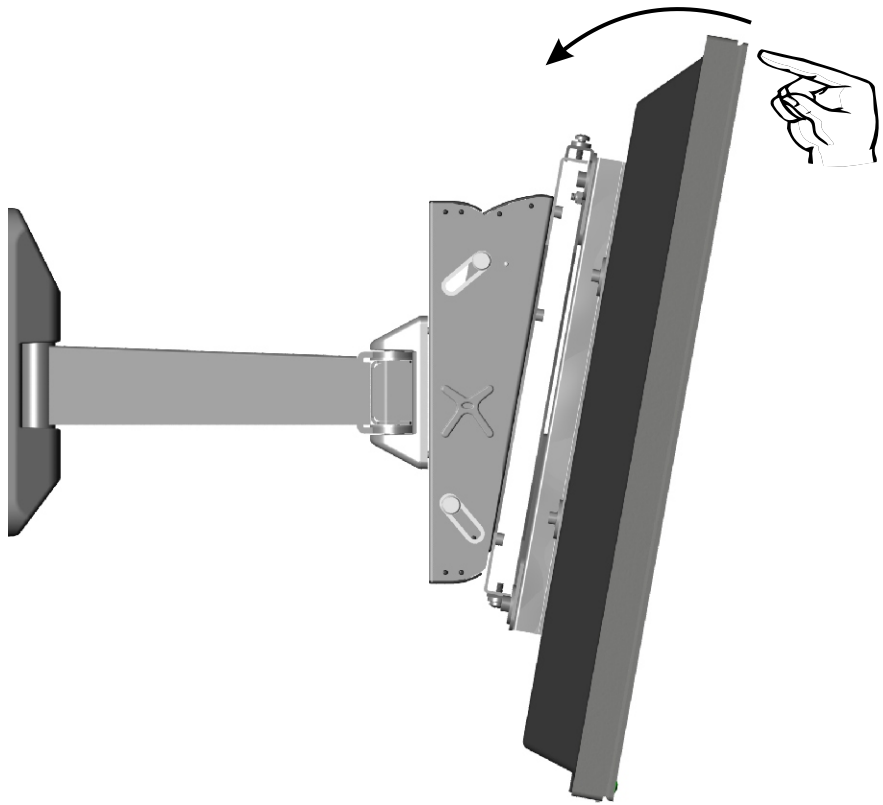
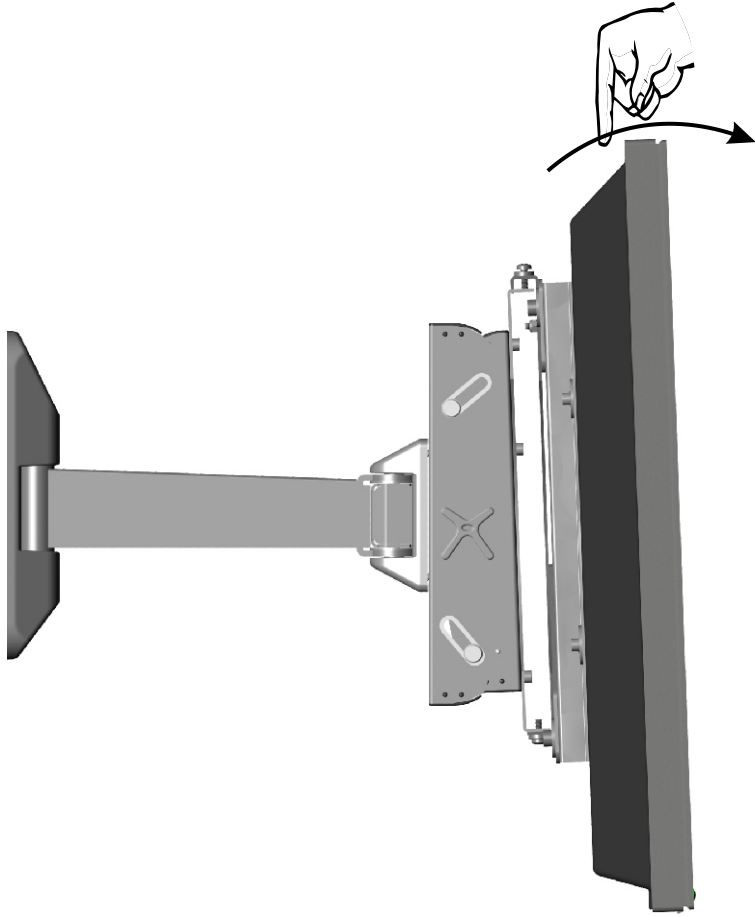
5c LEVEL ADJUST & SECURE



5d FINAL ASSEMBLY



⑥ TILT





AVF Group Ltd.

Road 30, Hortonwood Industrial Estate,
Telford, Shropshire, England. TF1 7YE



CUSTOMER SERVICES HELPLINE

(01952) 670009 UK

1-800 667 0808 USA