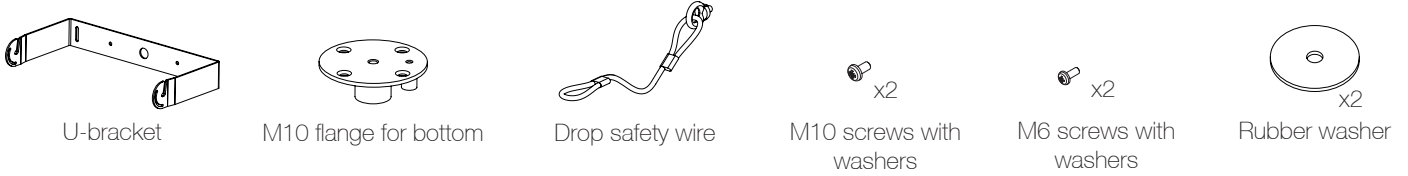
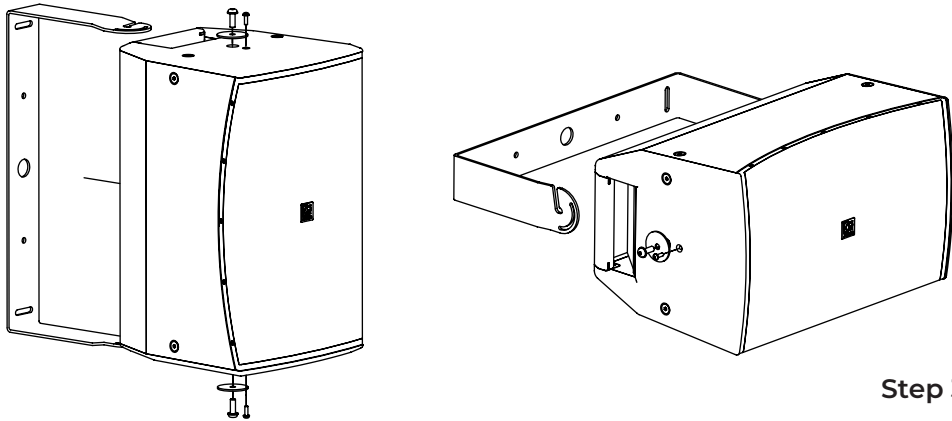


The MBK1xxV mounting bracket is specially designed for mounting the VEXO series speakers. These optional clever U-brackets allow the easy installation of the VEXO series both horizontally and vertically, thanks to a provided slot the VEXO series speaker will glide easily and safely into the bracket making installation a piece of cake.

**Included hardware:**

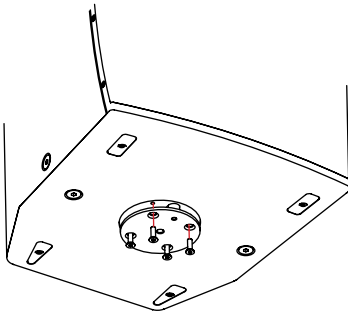


**Installation:**



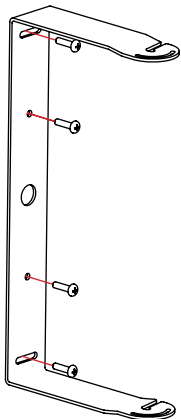
**Step 1:**

The pole flange adapter in the bottom of the speaker has to be replaced with a screw flange adapter. This is included with the optional brackets. Attach with the M6 screws.



**Step 2:**

Mount the U-bracket at a designated location on the wall or ceiling. The screws are inserted into the holes provided on the bracket. Use the correct fasteners for the surface on which the bracket is to be mounted.



**Caution:** choose fasteners that are consistent with all local build codes and requirement to support the weight of the loudspeaker.

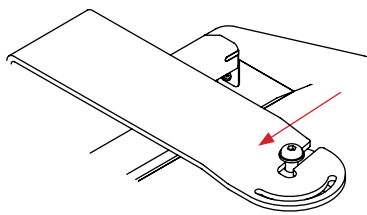
**Step 3:**

Insert the large (M10) bolts through the rubber washer and into the center threaded holes (top and bottom). This washer comes between the speaker and the bracket.

The bolts should stay up just high enough so that the intended slot in the bracket can be hooked in.

Put the speaker in the correct position and tighten both M10 bolts.

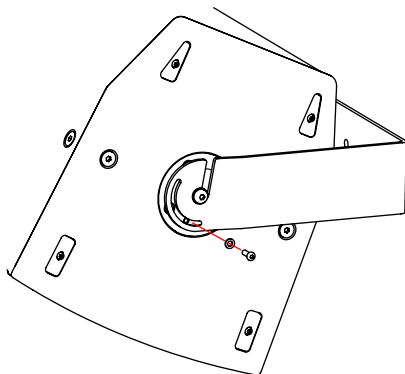
Attach the drop safety wire to one of the M10 flying points. The other end of the wire is attached to a separate mounting point on the wall.



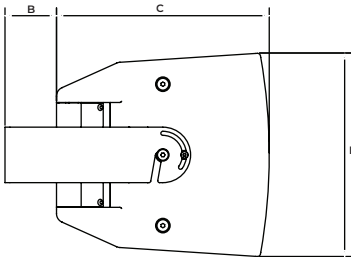
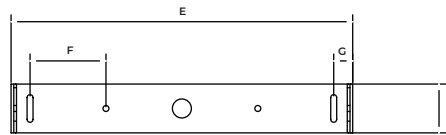
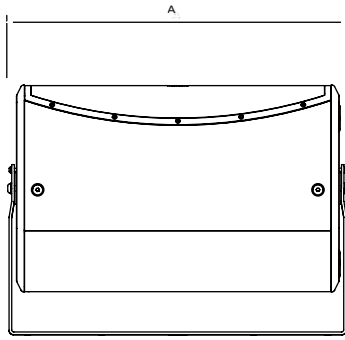
**Step 4:**

Add the additional (small) safety/ positioning bolts. This is placed in the rotation slot of the bracket.

Place the VEXO1xx in your desired pitch angle (-90° - 35°) and tighten the bolts.



## Dimensions:



	MBK110V	MBK112V	MBK115V
<b>A</b>	566 mm	636 mm	716 mm
<b>B</b>	83.5 mm	81mm	75 mm
<b>C</b>	345 mm	390 mm	450 mm
<b>D</b>	330 mm	370 mm	428 mm
<b>E</b>	566 mm	636 mm	716 mm
<b>F</b>	125 mm	140 mm	160 mm
<b>G</b>	30 mm	35 mm	35 mm
<b>H</b>	90 mm	90 mm	100 mm

## PRECAUTIONS

- KEEP THESE INSTRUCTIONS FOR FUTURE REFERENCE. NEVER THROW THEM AWAY
- ALWAYS HANDLE THIS UNIT WITH CARE
- CLEAN ONLY WITH DRY CLOTH
- HEED ALL WARNINGS AND FOLLOW ALL INSTRUCTIONS
- NEVER EXPOSE THIS EQUIPMENT TO RAIN, MOISTURE, ANY DRIPPING OR SPLASHING LIQUID.
- DO NOT PLACE THIS UNIT IN ENVIRONMENTS WITH A HIGH LEVEL OF DUST, HEAT, MOISTURE OR VIBRATION
- DO NOT USE HYDROCARBON BASED SOLVENTS, LUBRICANTS OR CLEANING AGENTS OF ANY TYPE ON OR AROUND THE DEVICE AND MOUNTING HARDWARE DURING THE INSTALLATION. THE USE OF THESE PRODUCTS ON OR AROUND THE MOUNTING ANCHORS AND SCREWS CAN LEAD TO DEGRADATION OF THE PLASTIC MATERIAL, POSSIBLY RESULTING IN CRACKING AND PREMATURE FAILURE OF THE PRODUCT.
- THIS UNIT IS DEVELOPED FOR INDOOR USE ONLY. DO NOT USE IT OUTDOORS
- ONLY USE ATTACHMENTS & ACCESSORIES SPECIFIED BY THE MANUFACTURER.
- ONLY INSTALL THE SPEAKER IN LOCATIONS THAT CAN STRUCTURALLY SUPPORT THE WEIGHT OF THE SPEAKER. IGNORING THIS CAN BRING THE SPEAKER DOWN.
- DO NOT USE ANY OTHER METHOD THAN SPECIFIED TO MOUNT THE SPEAKER. IF EXTREME FORCE IS APPLIED TO THE SPEAKER, IT COULD FALL DOWN
- ATTACH A SAFETY WIRE TO THE SPEAKER WHEN IT IS MOUNTED HIGH UP. ONLY USE INDUSTRY-ACCEPTED RIGGING TOOLS AND METHODS
- CAREFULLY CHECK THE UNIT'S CONDITION AFTER UNPACKING.
- IF THERE IS ANY DAMAGE TO THE CARTON BOX OR THE UNIT ITSELF, INFORM YOUR VENDOR IMMEDIATELY.
- ALWAYS FOLLOW THE LOCAL REGULATIONS AND REQUIREMENTS REGARDING INSTALLATION, SUSPENSION AND CONNECTION OF THIS LOUDSPEAKER. EVEN WHEN OTHERWISE SPECIFIED IN THIS DOCUMENT.
- IT'S THE INSTALLERS RESPONSIBILITY TO ENSURE INSTALLATION OF THE LOUDSPEAKERS AND MOUNTING SYSTEMS IS PERFORMED IN ACCORDANCE WITH ALL APPLICABLE CODES
- UNSAFE MOUNTING OR OVERHEAD SUSPENSION ON ANY HEAVY LOAD CAN RESULT IN SERIOUS INJURY OR DEATH, AND PROPERTY DAMAGE. IT'S THE INSTALLERS RESPONSIBILITY TO EVALUATE THE RELIABILITY OF ANY MOUNTING METHOD USED FOR THEIR APPLICATIONS
- THE INSTALLATION OF THIS LOUDSPEAKER SHALL BE DONE BY QUALIFIED PERSONNEL ONLY.
- DO NOT MAKE UNAUTHORIZED ALTERATIONS TO THE PRODUCT.
- The MBK110V mounting bracket is for the use with VEXO110(A) only.
- The MBK112V mounting bracket is for the use with VEXO112(A) only.
- The MBK115V mounting bracket is for the use with VEXO115(A) only.

## CAUTION - SERVICING

This product contains no user serviceable parts. Refer all servicing to qualified service personnel. Do not perform any servicing (unless you are qualified to do so).

## EC DECLARATION OF CONFORMITY

This product conforms to all the essential requirements and further relevant specifications described in following directives: 2011/65/EU (RoHS2) and 1907/2006 (REACH)