

APart

MANUAL



PA-CONF-E

INFO@APART-AUDIO.COM

The APart PA-CONF-E is an easy to use professional microphone pre amplifier system. It is equipped with an input for the APart conference microphone terminals, an extra Mic/Line input with lo-cut on/off button (e.g. For wireless microphones) and a line input. An independent volume control is available for the conference terminals, the extra MIC/Line input and the line input. This line input also has a 3 band tone control. The overall volume can be adjusted via the Master Volume control. This makes the PA-CONF-E extremely suited for use in meeting rooms (replaces the big standard +12 channel microphone mixer with lots of cables), presentation purposes, debates,... Its easy operation makes the set-up and use accessible for non-technicians... No more complex mixing desks needed!

Up to 25 conference microphone terminals (about 10 Mic open, 15 mic off) can be connected in daisy chaining mode. The chairman terminal can have control over the delegate terminals by pushing the "priority" button on the terminal (If placed first in the daisy chain). Several chairman units can be placed in the daisy chain, what results in a multi-priority system.

Mute functions are available on the extra MIC/LINE input and on the conference microphone input independently. A led will indicate when the inputs are muted. Pressing the mute button again, will reactivate the inputs. The balanced output of the PA-CONF-E can be switched between MIC and Line level. The record output in some cases can be useful to record your conferences or meetings.

The microphone pre-amplifier can be controlled via the front panel or via the included IR remote control. This can be done by aiming the handheld remote directly to the IR Eye on the front panel or via connecting an external IR-eye (Ref; PIR-REC - option) to the IR input at the back of the amplifier. The PA-CONF-E will also pass the IR signal of other electronic devices via the IR output and optional IR emitter (Ref: PIR-EMIT).

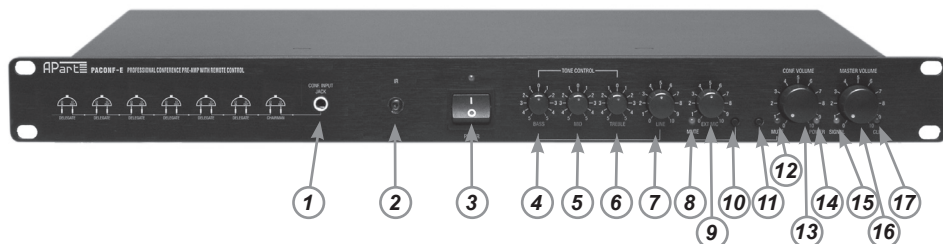
The 5-24V input makes it possible to power-up the PA-CONF-E over distance.

In case HUM and BUZZ occur, the ground lift switch at the back may offer you a quick solution.

Following APart conference microphone terminals are available:

- Table type: PA-CONF-EC (Chairman unit) - PA-CONF-D (Delegate unit)
- Flush mount: PA-CONF-ECI (Chairman unit) - PA-CONF-DI (Delegate unit)

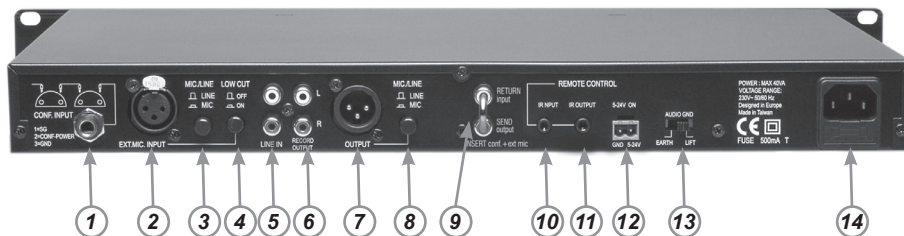
The PA-CONF-E complies with the CE standards.



Front panel

1. Conference microphones input jack: connect microphones from the PA-CONF-E manufacturer only. This jack is wired in parallel to the jack connector at the rear of the unit. You can use the front OR rear jack depending on the cabling situation. !!! DON'T USE BOTH INPUTS SIMULTANEOUSLY !!! Switch of the mains current and turn all volumes down before connecting the conference microphones to the CONF INPUT.
2. IR eye window: with the remote control shipped with the unit, you can control the volume up and down and mute functions of the unit. When you connect an optional IR emitter at the rear connector of this unit, you can also control other components. Their infrared signals, picked up by the PA-CONF-E infrared eye, will be passed through to the optional emitter and can be used to control other devices.
3. Power switch and power led: turn mains power on and off using this switch. Turn the volume controls of other units down before turning the power on or off.
4. Bass tone control: to adjust the tone of the line source connected to the PA-CONF-E.
5. Mid tone control: to adjust the tone of the line source connected to the PA-CONF-E.
6. Treble tone control: to adjust the tone of the line source connected to the PA-CONF-E.
7. Line level control: to adjust the level of the line source connected to the PA-CONF-E.
8. Mute led: lights to indicate the mute status of the external mic input.
9. Ext mic level: to adjust the level of the external microphone connected to the PA-CONF-E.
10. Mute switch: to mute/unmute the signal connected to the external mic input.
11. Mute switch: to mute/unmute the conference microphones volume.
12. Mute led: lights to indicate the mute status of the conference microphones.
13. Conference microphones level: to adjust the level of the conference microphones.
14. Conference power led: when lit, the power supply to the conference microphones is active. When the led does not light, the automatic protection system has cut the power to the conference microphones. This situation may occur when there is a short circuit in the cabling system. Switch off power and fix the short circuit. The protection system resets itself after a short cooling period.
15. Signal led: indicates that a sufficiently strong signal is sent to the output of the PA-CONF-E.
16. Master volume: to adjust the overall system level.
17. Clip led: when this led lights up, the signal level is too high and may sound distorted. Reduce the levels and avoid clipping.

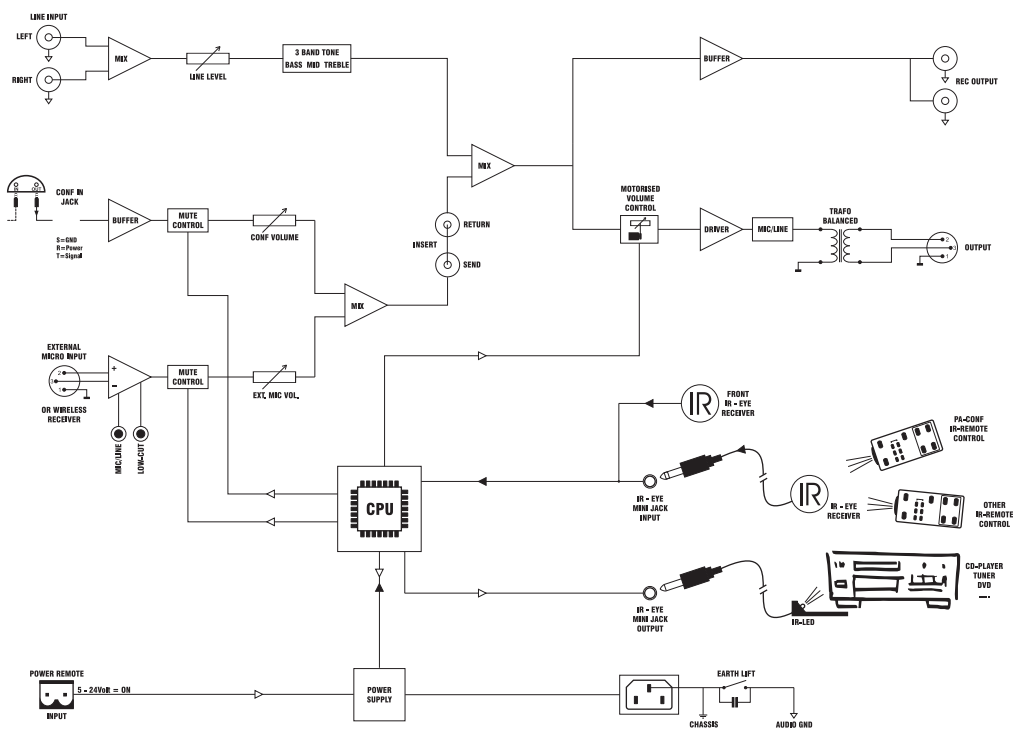
Rear panel



1. Conference microphones input: connect conference microphones from the PACONF-E manufacturer only ! Switch off mains current supply and turn all volumes down before connecting any microphones to the system. Start by connecting the chairman's microphone's output first, then daisy chain the delegate's microphones to the input of the chairman's microphone and so on... Always use balanced cables.
2. Extra microphone input: balanced input to connect an extra microphone or line level signal.
3. Mic/line switch: push the button to switch the EXT MIC INPUT to mic level or line level.
4. Low cut switch: push this switch to activate the low cut filter on the EXT MIC INPUT. This is useful to eliminate pop noise from microphones, or to improve intelligibility.
5. Line in: Connect an external line level source to these RCA connectors. Set the level and tone relative to the conference microphones using the controls on the front panel.
6. Record output: on these RCA connectors, the PA-CONF-E line level output is present, not influenced by the master volume control ! This can be usefull for recording purposes. Both L and R buses reproduce a mono line level signal.
7. Main output: transformer balance main output on XLR connector (1 = GND, 2 = signal +, 3 = signal -). When connecting to an unbalanced input, connect pin 1 to pin 3 (GND). The + is available on pin 2. The output can be switched from line level to microphone level.
8. Mic/line switch: to switch the main output to mic or line level.
9. Conference microphones send/return: RCA connectors used for connecting external microphone feedback elimination devices. Please note that the connection bridge between send and return must be present when not using an external feedback eliminator. The RCA connector labeled "SEND" carries the conference microphone's signal, the "RETURN" connector is routed towards the PA-CONF-E's main output.
10. IR input: connect an optional infrared receiver eye to this TRS minijack. This can be useful to extend the range of the remote control, or when the PA-CONF-E unit is installed on another location. Use screened cable only. Maximum allowed cable length depends on cable type and external interference caused by other wires, magnetic fields, cell phone signals...
11. IR output: this TS minijack will pass the IR signals received by the front IR eye or from the optional external IR receiver. When you connect an optional IR transmitter to this connector, you can pass through IR signals for other devices.

12. 5-24 V on/off: the PA-CONF-E can be switched on or off using a 5 – 24 VDC voltage. Mind the polarity as indicated on the rear panel ! When the unit has been switched to standby mode using the remote control, it can be switched on again by applying a 5 to 24 VDC voltage to this euroblock connector. The unit will remain switched on as long as the DC voltage is present on this input.
13. GND lift switch: in case hum or buzz appears when an external source is connected to the unit, lift the audio ground by sliding the switch to the "LIFT" position.
14. Mains socket: connect the power cord supplied with the unit here. Inside the socket, there is a mains fuse. Value is 500 mA/250V slow blow. Replace only with a fuse of same voltage and current rating. When this fuse blows regularly, the unit must be checked by a qualified service technician. Contact you dealer if this happens regularly.

APartE PACONF-E PROFESSIONAL CONFERENCE PRE-AMP WITH REMOTE CONTROL



Remote control



The remote control shipped with the main unit can be used to control some basic functions, and is compatible with the APart PIR7600 pre-amplifier also. Some functions are not available on the PA-CONF-E unit.

Technical specifications

Conference mic input (front & rear TRS jack)	-9 dB / 1k ohm
Conference mic power supply	15 VDC regulated / 1.5 A multifuse protected
Ext mic input mic/line (XLR input)	-10 dB / -60 dB / 5.6 k ohm
Low cut filter ext mic	150 Hz / 12 dB / oct
Line input (RCA, L & R are mixed to mono)	-10 dB / 22 k ohm
Rec output (RCA, L & R are mixed to mono)	-10 dB / 1 k ohm
Main output (XLR) transformer balanced	0 dB (line) / -30 dB (mic) / 100 ohm
IR output current	50 mA max, multifuse protected
Remote on / off voltage	5 - 24 VDC
Mains power supply	230 VAC / 50 - 60 Hz
Mains fuse rating	500 mA / 250 V / slow
Shipping dimensions	500 x 332 x 100 mm
Shipping weight	4.6 kg
Dimensions	482 x 252 (275) x 44 mm
Net weight	3.3 kg
Accessories included	mains cable, manual, ir remote.

Important safety instructions

- Please check the carton box for any kind of damage on reception of the goods.
In case of a damaged carton, please contact your dealer before opening the carton.
- Read all documentation before operating your equipment.
- Keep all documentation for future reference.
- Save the carton and packing material even if the equipment has arrived in good condition.
- Should you ever need to ship the unit, use only the original factory packing.
- Do not spill water or other liquids into or on the unit.
- Make sure power outlets conform to the power requirements listed on the back of the unit.
- Do not use the unit if the electrical power cord is frayed or broken.
- Always operate the unit with the AC ground wire connected to the electrical system ground.
- Have gain controls on amplifiers turned down during power-up to prevent speaker damage if there are high signal levels at the inputs.
- Do not connect the inputs / outputs of amplifiers or consoles to any other voltage source, such as a battery, mains source, or power supply, regardless of whether the amplifier or console is turned on or off.
- Power down & disconnect units from mains voltage before making connections.
- Do not use the unit near stoves, heat registers, radiators, or other heat producing devices.
- Do not remove the cover. Removing the cover will expose you to potentially dangerous voltages.
- Do not drive the inputs with a signal level higher than that required to drive equipment to full output.
- In case of mal-function this device should be serviced by qualified service personnel only.



Company names, product names, and names of formats etc. are the trademarks or registered trademarks of their respective owners.

© 2009 APart-Audio specifications subject to change without notice.

