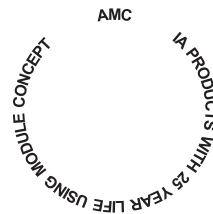


AMC 2N100MKII

SERIES

MULTI-CHANNEL POWER AMPLIFIER



INSTRUCTIONS FOR INSTALLATION AND OPERATION



CAUTION: TO REDUCE THE RISK OF ELECTRIC SHOCK, DO NOT REMOVE COVER (OR BACK). NO USER-SERVICEABLE PARTS INSIDE. REFER SERVICING TO QUALIFIED SERVICE PERSONNEL



AFIN DEVI TER UN CHOC ELECTRIQUE ET LES CONSEQUENCES GRAVES QUI POURRAIENT EN RESUL TER, TEN TEZ PAS D'OUVRIR L'APPAREIL ET DE TOUCHER AUX COMPOSANTS INTERNES SANS LA PRESENCE D'UNE PERSONNE QUALIFIEE.



PARA REDUCIR EL RIESGO DE SACUDIDAS ELECTRICAS, NO DEBERA QUITARSE LA TAPA (NI PARTE POSTERIOR). CONSULTESE AL PERSONAL CAPACITADO PARA LAS REPARACIONES INTERNAS.

WARNING: TO PREVENT FIRE OR ELECTRIC SHOCK, DO NOT EXPOSE THIS APPLIANCE TO RAIN OR MOISTURE.
ADVERTENCIA: PARA EVITAR EL RIESGO DE INCENDIO O SACUDIDA ELECTRICA, NO DEBERA EXPONERSE ESTE APARATO A LA LLUVIA O HUMEDAD.

CAUTION: TO PREVENT ELECTRIC SHOCK DO NOT USE THIS (POLARISED) PLUG WITH AN EXTENSION CORD, RECEPTACLE OR OTHER OUTLET UNLESS THE BLADES CAN BE FULLY INSERTED TO PREVENT BLADE EXPOSURE..

ATTENTION: POUR PREVENIR LES CHOCS ELECTRIQUES NE PAS UTILISER CETTE FICHE POLARISEE AVEC UN PROLONGATEUR. UNE PRISE DE COURANT OU UNE AUTRE SORTIE DE COURANT, SAUF SILES LAMES PEUVENT ETRE INSEREES A FOND SANS EN LAISSER AUCUNE PARTIE FOND SANS EN LAISSER AUCUNE PARTIE A DECOUVERT.

PRECAUCION: PARA EVITAR SACUDIDAS ELECTRICAS, NO DEBERA UTILIZARSE ESTA CLAVIJA POLARIZADA CON UN CORDON DE PROLONGACION, RECEPTACULO U OTRO TIPO DE SALIDA A MENOS QUE SE HAYAN INSERTASO COMPLETAMENTE LAS LENGÜETAS PARA EVITAR SU EXPOSICION.

NOTE: Some AMC products are equipped with dual or multi-voltage transformers (which is indicated on the back panel). If you wish to change the voltage, please bring your unit to an authorised AMC service technician for internal conversion.

ATTENTION: Quelques pièces AMC sont munies de transformateurs à double ou à multi-voltage (indiqué au panneau arrière). Si vous voulez changer le voltage, veuillez apporter votre appareil au fournisseur de AMC pour le transformer.

ZUR BEACHTUNG: Einige AMC Geräte sind mit Umschaltern für unterschiedliche Netzspannungen ausgerüstet (Ein Vermerk auf der Rückseite weist darauf hin).

Die Anpassung, wenn notwendig, muß von einem qualifizieren Techniker in einer AMC Servicestation vorgenommen werden.

NOTA: Ciertos componentes de AMC están dotados de transformadores de doble tensión o de varias tensiones (lo que se indica en el panel posterior). Si se desea cambiar la tensión, sírvanse llevar el aparato a un técnico autorizado por AMC para su conversión interna.

NOTE TO CATV systems installer: This reminder is provided to call the CATV system installer's attention to Article 820-22 of the NEC that provides guidelines for proper grounding and, in particular, specifies that the cable ground shall be connected to the grounding system of the building, as close to the point of cable entry as practical.

NOTA PARA EL INSTALADOR DE ANTENAS DE TELEVISION COLECTIVAS: La presente advertencia se provee para llamar la atención del instalador al Artículo 820-22 de NEC (Código Eléctrico Nacional) donde se facilitan las directrices para la pertinente puesta a tierra y que especifica en particular que el conductor a tierra del cable debe conectarse al sistema de conexión a tierra del edificio, lo más proximo posible al punto de entrada del cable.



The lightning flash with arrowhead, within an equilateral triangle, is intended to alert the user of the presence of un-insulated "dangerous voltage" within the product's enclosure; that may be of sufficient magnitude to constitute a risk of electric shock to persons.



The exclamation point within an equilateral triangle is intended to alert the user of the presence of important operating and maintenance (servicing) instructions in the literature accompanying the appliance.

INSTALLATION NOTES

Since the **AMC 2N100MKII** generates modest amounts of heat, adequate ventilation is required. Do not place the amplifier on a soft surface such as a carpeted surface that may block the ventilation holes of the bottom cover. Also, avoid obstructing the ventilation holes in the top cover.

CAUTION: To prevent the risk of fire or shock, do not allow any liquid or moisture to enter into the internal parts of this product. If any liquid accidentally enters this product, shut off the power and remove the AC power cord immediately. If the liquid is anything other than clean water or pure alcohol, have the product examined by a service technician. Servicing of this product should be referred to a qualified service technician.

Your **AMC** amplifier is set to work on your local mains supply voltage. Check that your local mains supply voltage agrees with the voltage setting indicated on the back panel of the amplifier. If not, please contact your dealer or national distributor for details on how to proceed further.

The cores of the mains lead are coloured in accordance with the following code:

Blue -Neutral

Brown -Live

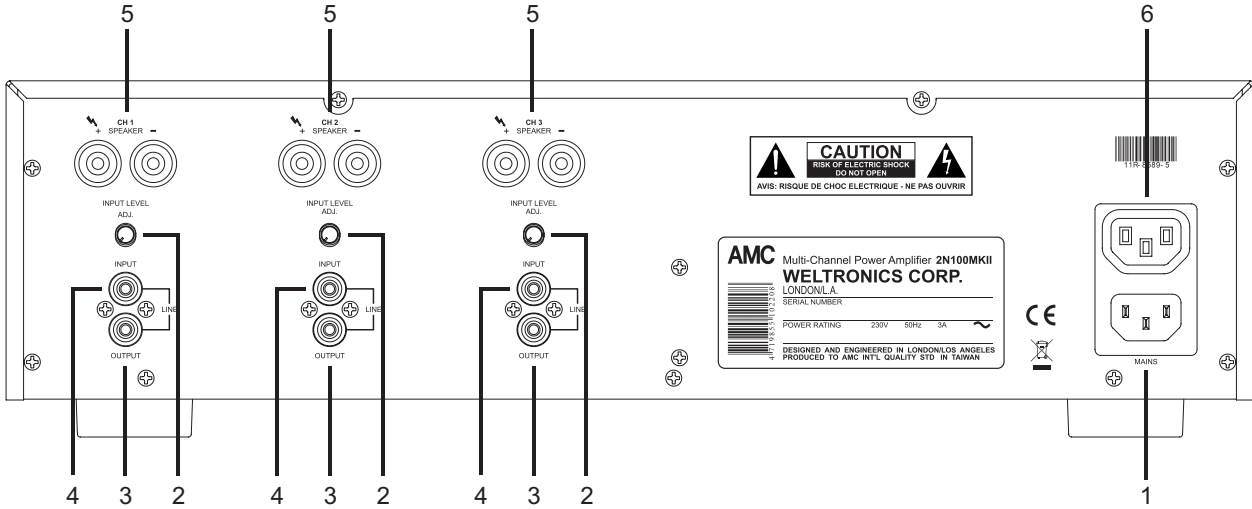
Note: Export units for certain markets have moulded mains plugs fitted as standard.

As the colours in the mains lead may not correspond with the coloured markings identifying the terminals in your plug, proceed as follows:

The wire which is coloured blue must be connected to the terminal which is marked by the letter N, or coloured black or blue. The wire which is coloured brown must be connected to the terminal which is marked by the letter L, or coloured red or brown.

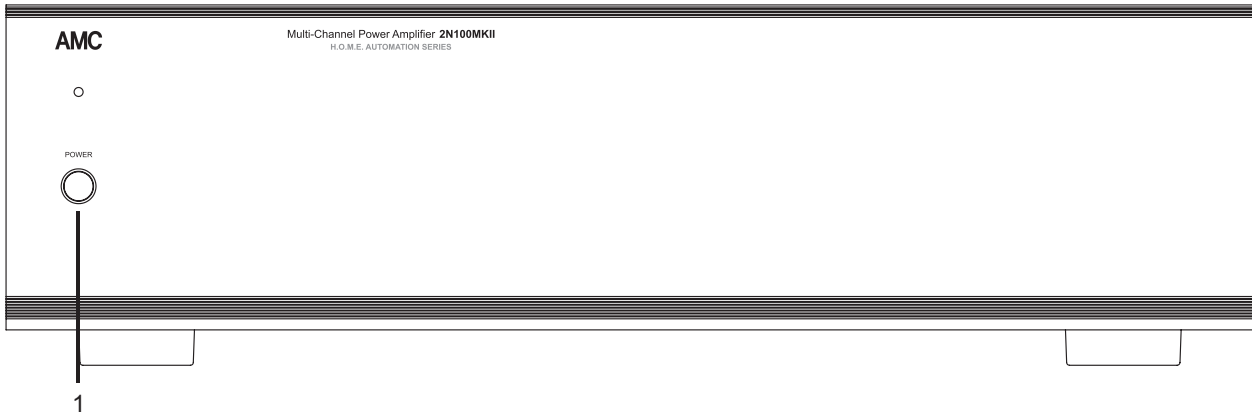
REAR PANEL CONNECTIONS/FRONT PANEL CONTROLS

REAR PANEL



- 1. MAINS INLET
- 2. INPUT LEVEL CONTROLS
- 3. LINE OUTPUTS
- 4. LINE INPUTS
- 5. LOUDSPEAKER TERMINALS
- 6. CONVENIENCE AC OUTLET (Unswitched)

FRONT PANEL



- 1. POWER SWITCH

REAR PANEL CONNECTIONS

1. MAINS INLET

Connect the AC line cord in to the mains inlet and plug the AC cord plug into a nearby wall outlet that provides the correct AC power line voltage.

2. INPUT LEVEL CONTROLS

Each channel of the 2N100MKII has its own, independent level control. Before turning on the 2N100MKII for the first time, make sure that all level controls are set to their fully clockwise position. These controls can be used for various functions. For example, they can be used to match the levels of loudspeakers in a multi-room installation, or to lower the sensitivity of the power amplifier, so that the volume control on pre-amplifier is at a more convenient and usable position. They can also be used to optimise the balance in a stereo system.

3. LINE OUTPUTS

Each input has an accompanying line output which will pass the signal onto another amplifier input or other line-level device.

4. LINE INPUTS

There are two (or three) RCA phono connectors on the back panel that connect to the inputs of each of the power amplifiers.

5. LOUDSPEAKER TERMINALS

The 2N100MKII is equipped with binding post type speaker terminals that are designed to handle the extremely high peak currents that this amplifier is capable of giving. Connections from these terminals to the loudspeakers should be made with heavy-duty wire. Standard wire of 16 gauge or thicker is recommended especially if low impedance loudspeakers are used.

UNDER NO CIRCUMSTANCES SHOULD THE OUTPUTS BE SHORTED TOGETHER.

6. UNSWITCHED CONVENIENCE AC OUTLET

There is one unswitched convenience AC outlet on the back panel of the 2N100MKII. The outlet can be used to provide AC power for other audio or video components.

FRONT PANEL CONTROLS

1. POWER SWITCH

The press button switch marked power can be used to switch the 2N100MKII on or off. When the 2N100MKII is switched on, the small indicator above the power switch will glow green.

UNDER NO CIRCUMSTANCES SHOULD THE CASE OF THE AMPLIFIER BE OPENED BY ANYONE OTHER THAN A QUALIFIED ENGINEER, AS DANGEROUS VOLTAGES ARE PRESENT INSIDE. ANY UNAUTHORIZED REPAIR MAY INVALIDATE YOUR WARRANTY.

SPECIFICATIONS

Rated power into 8 ohm (IMF)	150W
Rated T.H.D. 20Hz-20KHz	0.03%
Clipping power into 8 ohm	160W
Dynamic power into 8 ohm	255 W
Current limit into 0.1 ohm and 1 ohm	30 Amps
Damping factor	>200
Input sensitivity for 100W output Power into 8 ohm	1 Vrms
Input impedance	22Kohm//150pF
Frequency response 20Hz-20KHz	+/-0.3dB
-3dB	4Hz/75KHz
Signal to noise ratio "A" WTD (ref. 1W/8 ohm)	>100dB
Separation 20KHz	>70dB

OTHERS

Dimensions (WxHxD)	430x112x288 mm
Net weight 2N100MKII-2/-3	11.4Kg/712.3Kg
Shipping weight (2 pieces) 2N100MKII-2/-3	24.4 Kg/30.8 Kg

Weltronics Corp. reserved the right to improve its products at any time. Specifications are subject to change without notice.

SAFETY INSTRUCTION

1. READ INSTRUCTIONS

All the safety and operating instructions should be read before the appliance is operated.

2. RETAIN INSTRUCTIONS

The safety and operating instructions should be retained for future reference.

3. HEED WARNINGS

All warnings on the appliance and in the operating instructions should be adhered to.

4. FOLLOW INSTRUCTIONS

All operating and use instructions should be followed.

5. WATER AND MOISTURE

The appliance should not be used near water - for example, near a bathtub, washbowl, kitchen sink, laundry tub, in a wet basement, or near a swimming pool, etc.

6. CARTS AND STANDS

The appliance should be used only with a cart or stand that is recommended by the manufacturer.

- 6A. An appliance and cart combination should be moved with care. Quick stops, excessive force, and uneven surfaces may cause the appliance and cart combination to overturn.



7. WALL OR CEILING MOUNTING

This equipment is not designed for use mounted on a wall or a ceiling.

8. VENTILATION

The appliance should be situated so that its location or position does not interfere with its proper ventilation. For example, the appliance should not be situated on a bed, sofa, rug, or similar surface that may block the ventilation openings, or placed in a built-in installation, such as bookcase or cabinet that may impede the flow of air through the ventilation openings.

9. HEAT

The appliance should be situated away from heat sources such as radiators, heat registers, stoves, or other appliances (including amplifiers) that produce heat.

10. POWER SOURCES

The appliance should be connected to a power supply only of the type described in the operating instructions or as marked on the appliance.

11. POWER-CORD PROTECTION

Power-supply cords should be routed so that they are not likely to be walked on or pinched by items placed upon or against them, paying particular attention to cords at plugs, convenience receptacles, and the point where they exit from the appliance.

12. CLEANING

The appliance should be cleaned only as recommended by the manufacturer.

13. NON USE PERIODS

The power cord of the appliance should be unplugged from the outlet when left unused for a long period of time.

14. OBJECT AND LIQUID ENTRY

Care should be taken so that objects do not fall and liquids are not spilled into the enclosure through openings.

15. SERVICING

The user should not attempt to service the appliance beyond that described in the operating instructions. All other servicing should be referred to qualified service personnel.

16. DAMAGE REQUIRING SERVICE

The appliance should be serviced by qualified service personnel when:

- The power-supply cord or the plug has been damaged; or
- Objects have fallen, or liquid has been spilled into the appliance; or
- The appliance has been exposed to rain; or
- The appliance does not appear to operate normally or exhibits a marked change in performance; or
- The appliance has been dropped, or the enclosure is damaged.

17. POWER LINES

(APPLIES TO TUNER AND RECEIVERS ONLY)

An outdoor antenna should be located away from power lines.

18. OUTDOOR ANTENNA GROUNDING

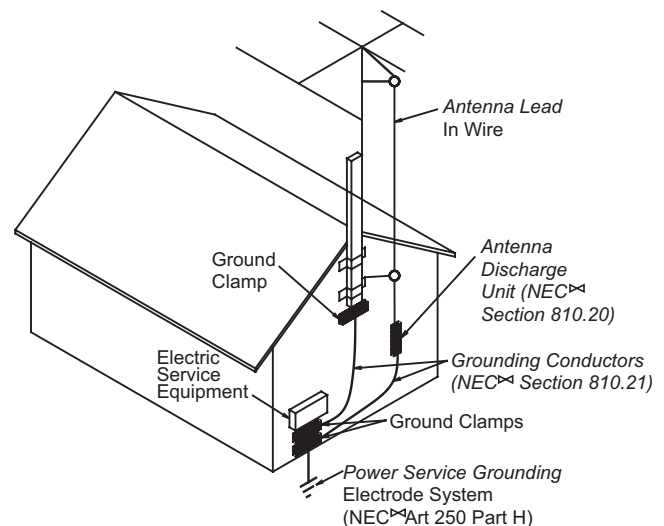
(APPLIES TO TUNER AND RECEIVERS ONLY)

If an outside antenna is connected to the receiver, be sure the antenna system is grounded so as to provide some protection against voltage surges and built up static charges.

Section 810 of the National Electrical Code, ANSI/NFPA No. 70-1984, provides information with respect to proper grounding of the mast and supporting structure, grounding of the lead-in wire to an antenna discharge unit, size of grounding conductors, location of antenna-discharge unit, connection to grounding electrodes, and requirements for the grounding electrode. See Figure.

- Use No. 10 AWG (5.3 mm²) copper, No. 8 AWG (8.4 mm²) aluminum, No. 17 AWG (1.0 mm²) copper-clad steel or bronze wire, or larger, as a ground wire.
- Secure antenna lead-in and ground wires to house with stand-off insulators spaced from 4-6 feet (1.22-1.83 m) apart.
- Mount antenna discharge unit as close as possible to where lead-in enters house.
- Use jumper wire not smaller than No. 6 AWG (13.3 mm²) copper, or the equivalent, when a separate antenna-grounding electrode is used. See NEC Section 810-21(j).

Antenna Grounding According to the National Electrical Code



† National Electrical Code
Available from Library, book stores, or National Fire Protection Association (Batterymarch Park, Quincy, MA 02269).



21R-4260



WELTRONICS CORP.

LONDON/L.A.

AMC Web: <http://www.amchome.com>

PN: 21R-4260