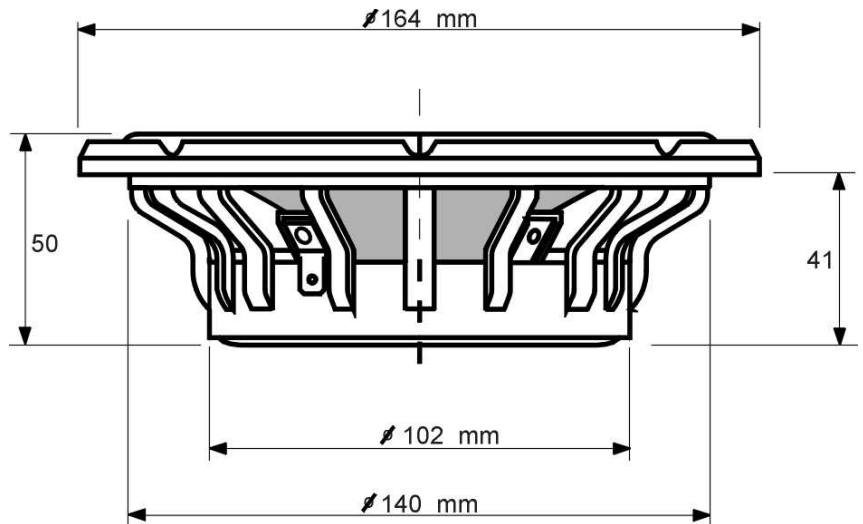
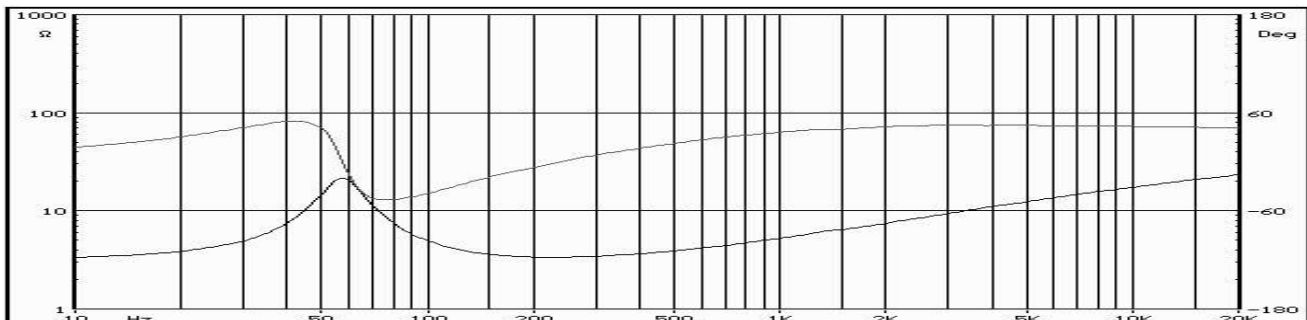


W 600 NEO

Sd:	136 cm ²
Vas:	7.80 l
Cms:	3.2e-04 m/N
Cas:	5.6e-08 m/N
Mmd:	23,55 gr
Mms:	24,67 gr
Rms:	2.26 Ns/m
Fs:	57 Hz
Bl:	6.28 N/A
Re:	3.00 ohm
Le:	0.63 mH
Qms:	3.91
Qes:	0.67
Qts:	0.57
V/C l:	22.00 mm
Xmax:	16.00 mm
Pmax:	150 W
dBspl:	89.0dB



W 600 NEO IMPEDANCE



DESIGN FEATURES

- CONE: Double layer fiberglass with rubber surround.
- VOICE COIL: OFC copper wire on alu former (∅ 54 mm).
- MAGNET: Neodimium internal to the voice coil.
- BASKET: 16 brackets, made of PPO injected with fibreglass, in order to low down the resonances.
- DUST COVER: Aluminum ring, directly glued to the voice coil former, and a plastic center of ABS, calibrated in weights and dimensions in order to reach the desired Mms, and dissipate the heath of the voice coil also frontally.

This midwoofer is the answer of AD to the continue request for a high performances midwoofer of small mounting depth. This component is not just a Neo version of a standard one, but is an original project specifically designed to give power handling, sensitivity and sound quality same of the ferrite competitors.

The reduced mounting depth should not be considered as a trick to spare the trouble of a great care in installation, as happens with the heavier traditional magnets, for this reason the call is to ask for a professional installer.

Phase and impedance curves are measured after 20 hours burn-in at 40 W RMS, so are the T / S parameters.
Due to the continue research and development, these information are subject to change without notice