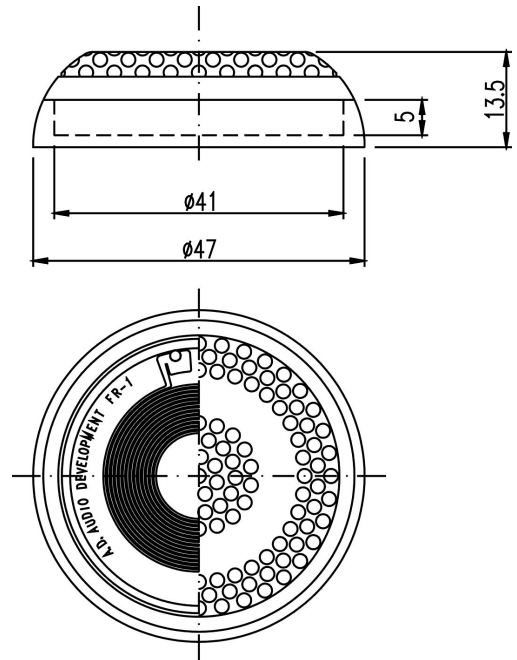


T 1FR

D:	1,2" – 30 mm
Re:	3,20 ohm
Cms:	-
Le:	-
Znom:	4 ohm
Mms:	-
Pmax:	40.0 W 4,0 KHz
Fs:	3000 Hz
dBSpl:	85.5 dB



DESIGN FEATURES

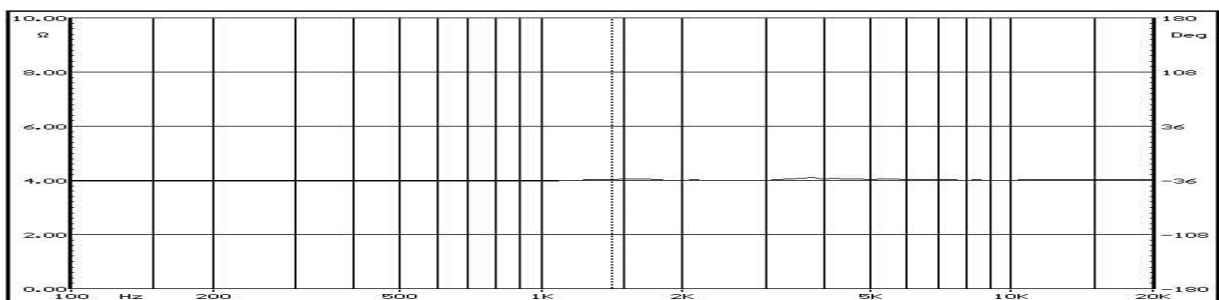
- DOME: 26 mm diameter flat round ribbon of copper, chemically laid on a Kapton former.
- VOICE COIL: The same ribbon is the voice coil (\varnothing 30 mm), a grille specially designed linearizes the higher frequencies.
- MAGNETIC CIRCUITATION: High thermal stability Neodimium, magnetized with an internal procedure.
- MOUNTING SYSTEM: The flatness of the component allows the external or flush mounting.

The AD supertweeter.

Even in a component usually dedicated to the extreme high frequencies, we have put our fingerprints, developing an unconventional round ribbon tweeter which, with the support of a simple cap, presents itself with a flat response from 4 to 25 kHz.

The mounting depth of less than 7 mm and the high power handling are other features of this component.

T 1FR IMPEDANCE



T 1FR FREQUENCY RESPONSE

