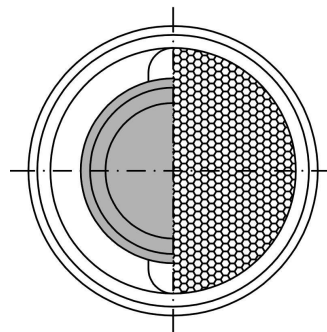
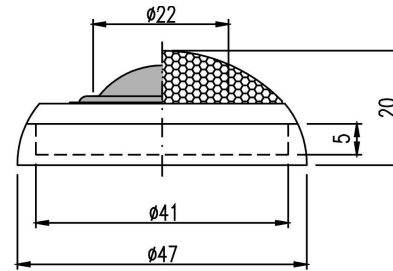


T 1.9

D:	3/4" – 19 mm
Re:	3.80 ohm
Le:	0.025 mH
Qts:	0.93
Znom:	4 ohm
Freq. Resp.	2800 – 20000 Hz
Pmax	50.0 W 2,0 KHz
Fs:	1650 Hz
dBSpL:	87.0 dB

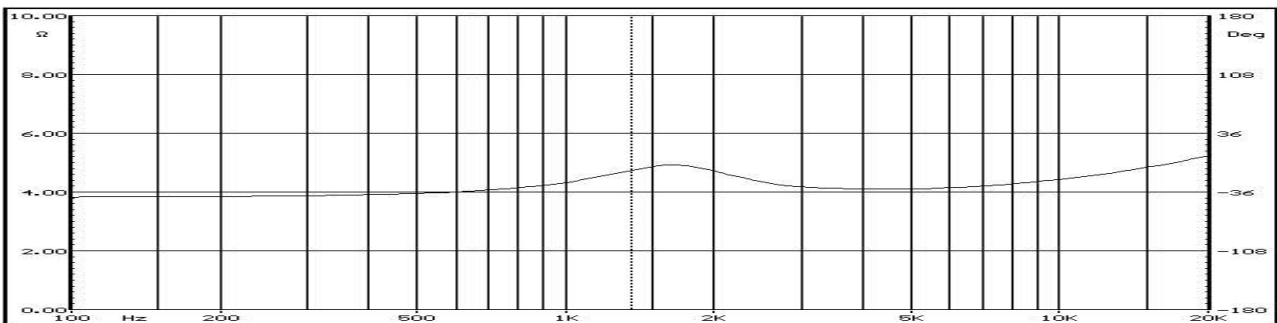


DESIGN FEATURES

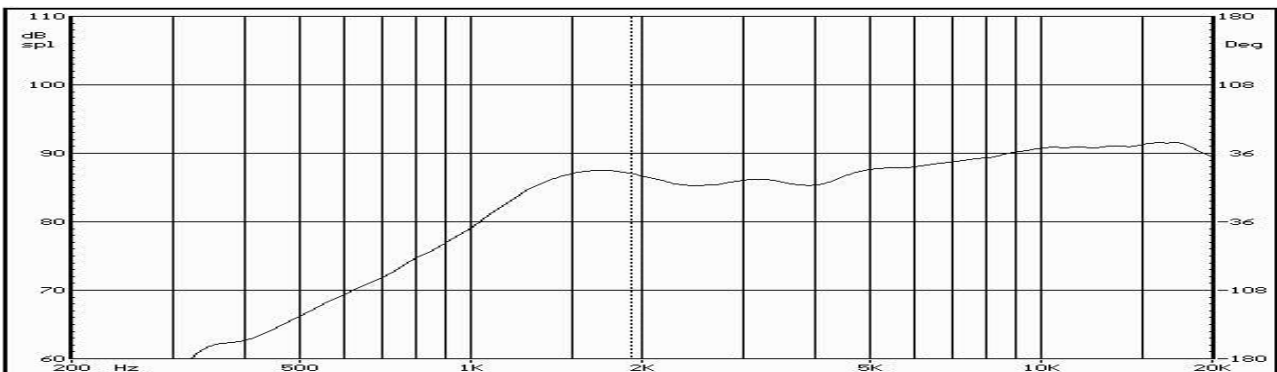
- DOME: 19 mm diameter silk dome.
- VOICE COIL: Copper on aluminum former (\varnothing 19 mm)
- MAGNETIC CIRCUITATION: High thermal stability
neodimium, Ferrofluid cooled.
- MOUNTING SYSTEM: Inserted in the same case of the more precious models.

The "Trend" systems and coaxials' silk dome tweeter is the only 3/4" in our catalogue. Clear and musical, it wasn't studied to reach the highest peaks of power handling, but to give a high class performance in the high frequencies, even in an Entry Level product.

T 1.9 IMPEDANCE



T 1.9 FREQUENCY RESPONSE



Due to the continue research and development, these information are subject to change without notice.