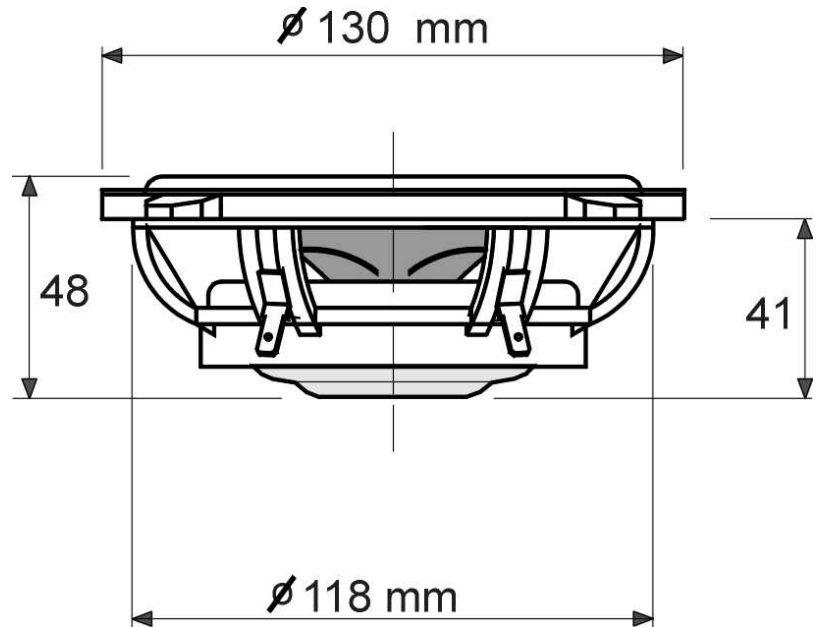
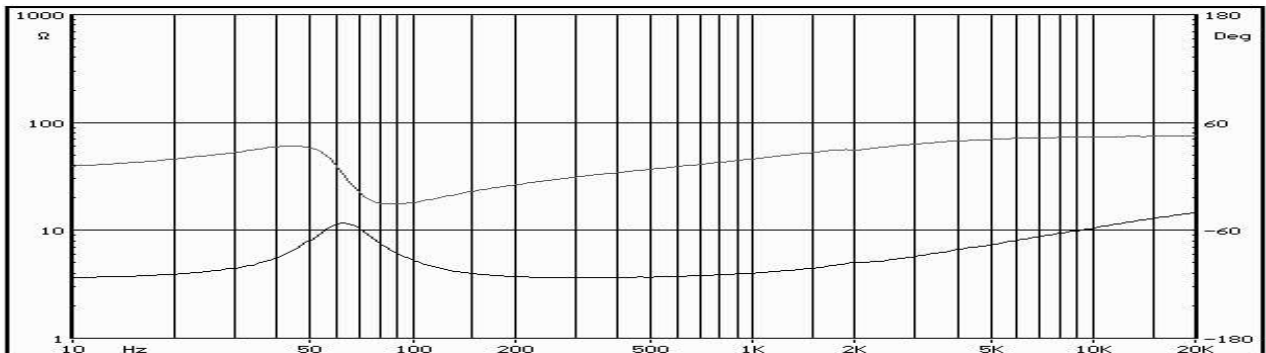


M 50 NEO

| | |
|--------|--------------------|
| Sd: | 78 cm ² |
| Vas: | 5.77 l |
| Cms: | 6.7e-04 m/N |
| Cas: | 4.1e-08 m/N |
| Mmd: | 9,22 gr |
| Mms: | 9,62 gr |
| Rms: | 1.66 Ns/m |
| Fs: | 62,7 Hz |
| Bl: | 3.66 N/A |
| Re: | 3.00 ohm |
| Le: | 0.30 mH |
| Qms: | 2.28 |
| Qes: | 0.85 |
| Qts: | 0.62 |
| V/C l: | 12.00 mm |
| Xmax: | 8.00 mm |
| Pmax: | 50 W |
| dBSpl: | 87,5 dB |



M 50 NEO IMPEDANCE



DESIGN FEATURES

- CONE: Double layer fibreglass with rubber suspension.
- VOICE COIL: Pure copper wire on aluminium former (\varnothing 26 mm). Neodimium magnet saturated with a proprietary procedure
- BASKET: Owner's design, a PPO chassis injected with fibreglass, in order to low down undesired distortions.
- DUST COVER: : Fabric. Material and dimension studied to obtain the right coupling with the cone controlling the polar dispersion.

A big midrange with small dimensions. Its mounting depth does not compromise good global sound performances, with an unusual extension that makes this speaker the perfect choice for people who are looking for a good match between woofer and tweeter.

Phase and impedance curves are measured after 20 hours burn-in at 20 W RMS, so are the T / S parameters. Due to the continue research and development, these information are subject to change without notice.