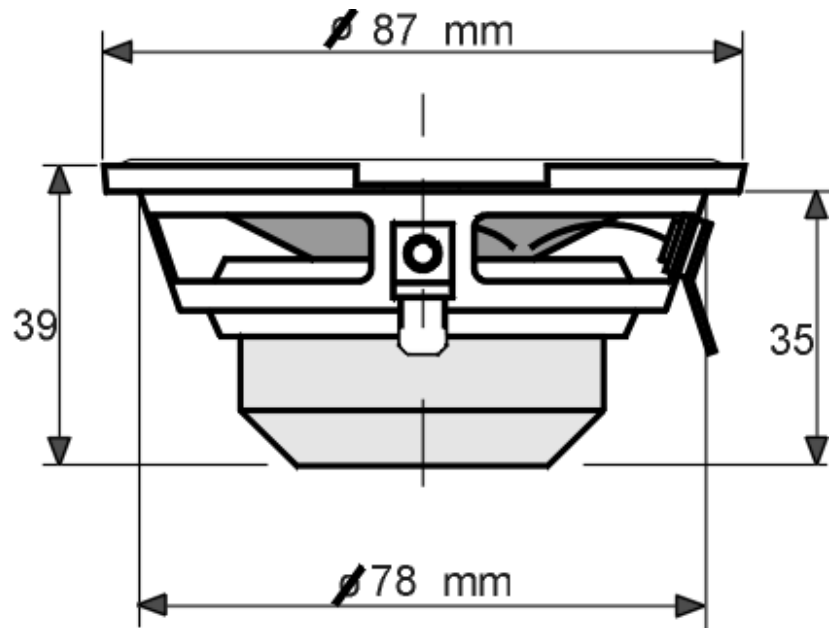
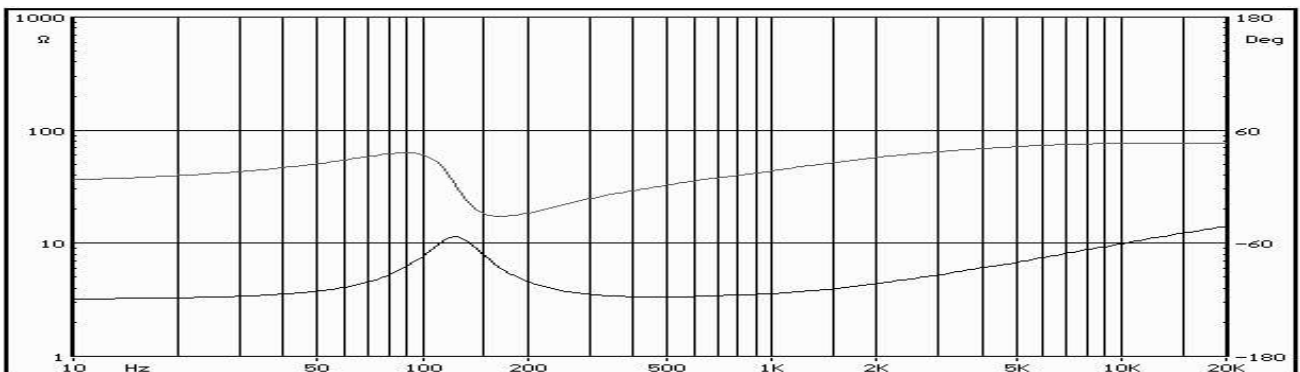


M 35 NEO

Sd:	36.2 cm ²
Vas:	0.72 l
Cms:	3.5e-04 m/N
Cas:	5.1e-09 m ⁵ /N
Zm:	10.0 ohm
Mms:	4.76 g
Rms:	1.32 Ns/m
Fs:	123 Hz
Bl:	3.22 N/A
Re:	3.0 ohm
Le:	0.26 mH
Qms:	2.79
Qes:	1.07
Qts:	0.77
Range :	250 – 9.000 Hz
Xmax:	8.0 mm
Pmax:	40 W
dBSpl:	88.0 dB



IMPEDANCE



DESIGN FEATURES

- CONE: Fibreglass treated for min. cone flexing and max. dumping. Foam suspension.
- VOICE COIL: OFC copper on alu-former (Ø 25 mm). Neodymium magnet stable at high temperatures, internally magnetized with a proprietary procedure.
- BASKET: multi-reinforced metal, nichel treated, for external use.
- DUST COVER: : Fabric. Material and dimension studied to obtain the right coupling with the cone controlling the polar dispersion.

The request of a 87 mm. diam. mid-woofer is satisfied by the AD designers with this component, that maintains the conception of music reproduction also in standard fittings. From this development is born this little woofer, also a very good midrange in three-way systems.

Phase and impedance curves are measured after 20 hours burn-in at 20 W RMS, so are the T / S parameters. Due to the continue research and development, these information are subject to change without notice.