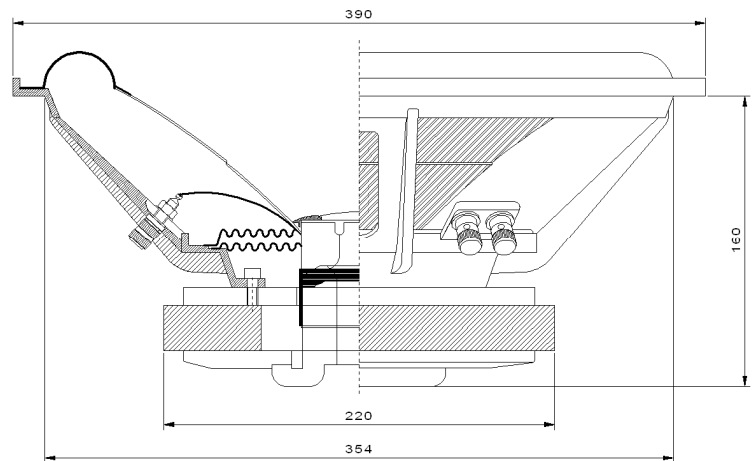


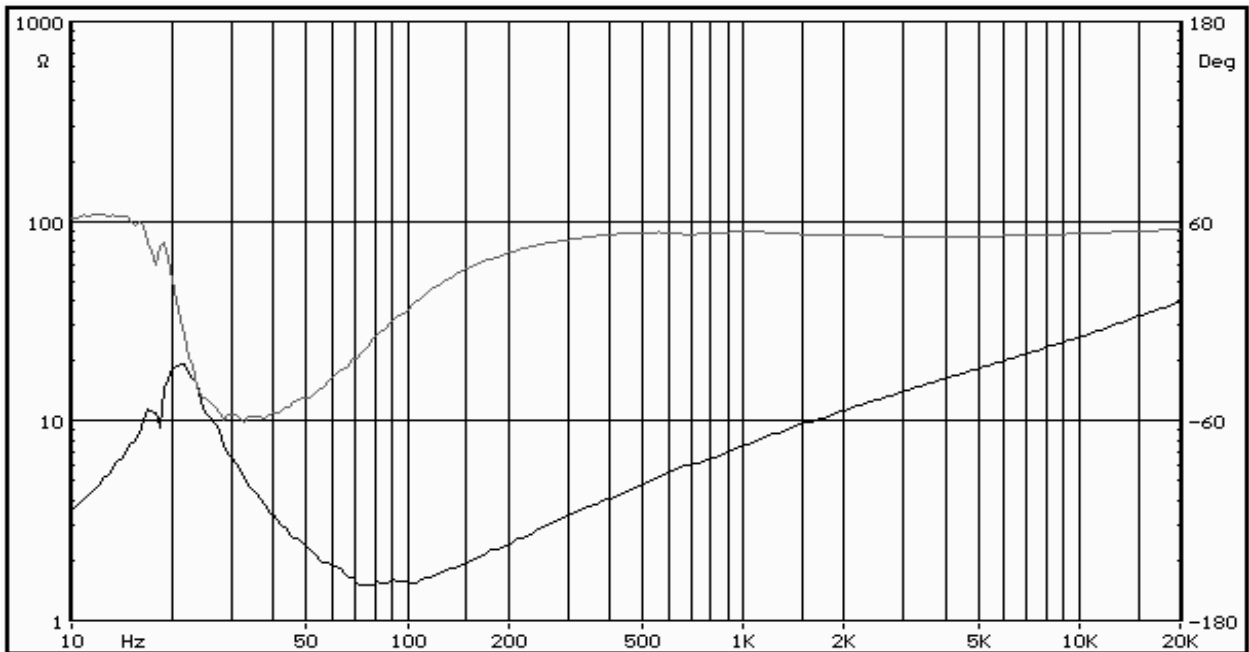
VIPERA F15

Le:	1.1 mH
Re:	0.9(1.8+1.8) ohm
Fs:	21 Hz
Qms:	7.96
Qts:	0.25
Vas:	196 l
Bl:	10.1 N/A
Ferq.Resp:	20-200 Hz

Sd:	780 cm²
Xmax:	48 mm
Pmax:	600 W
dBSpl:	93 dB



VIPERA F15 PHASE /IMPEDANCE



TECHNICAL FEATURES

- CONE: Paper / Fiberglass in double coat treated for min. cone flexing and max. dumping, treated with an internal procedure in order to restore the piston movement.
- SUSPENSION: injection rubber / SPIDER: No.2pcs. in conex
- VOICE COIL: OFC voice coil support in fibreglass (∅ 65 mm). Vented pole for forced air cooling.
- BASKET, MAGNET: multi reinforced Aluminum. Magnet with ferrite ring.

This subwoofer has been created to satisfy the SPL fans without compromising the high quality. It can extend to the lowest in few liters; it is suitable to bass reflex alignments or band pass.

Note: it can bear high accelerations without losing its shape.

Phase and Impedance curves are measured after 20 hour of use at 80 W RMS, so are the T/S parameters. Due to the continue research and development, these information are subject to change without notice.

Laboratorio Audio s.n.c. Via del Progresso 26/A Castelgomberto (VI) AD audio development.