

BR Subwoofer

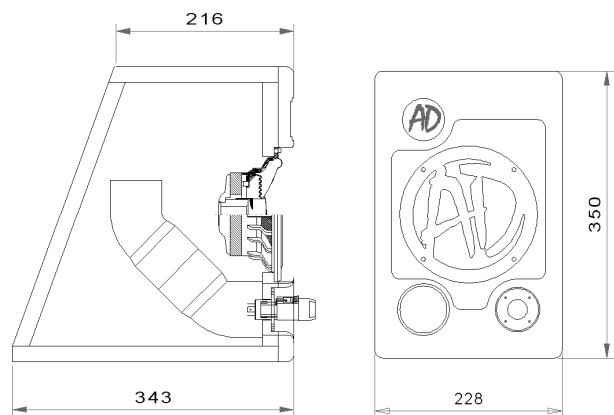
Model: BRF6 Passive, Reflex, Mono (3 ohm)

Loudspeaker: Wf. svc d.160 mm

Power: W 200 F -3dB 40 Hz

Finishing: Graphite.

Note: Fast connection.



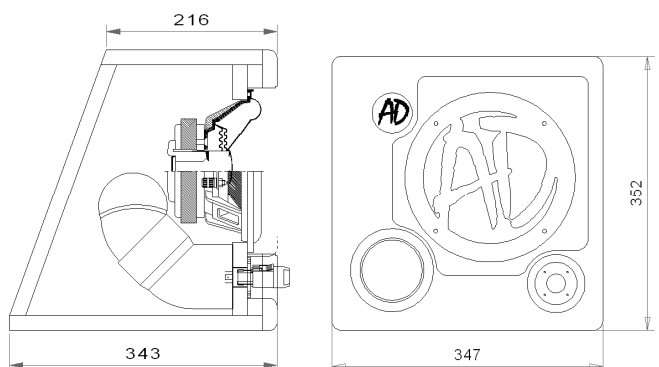
Model: BRF8 Passive, Reflex, Mono (3 ohm)

Loudspeaker: Wf. svc d.200 mm

Power: W 300 F -3dB 40 Hz

Finishing: Graphite.

Note: Fast connection.



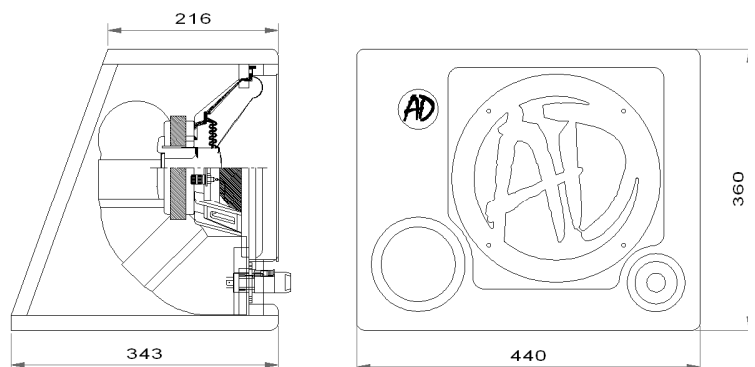
Model: BRF10 Passive, Reflex, Mono (3 ohm)

Loudspeaker: Wf. svc d.250 mm

Power: W 400 F -3dB 30 Hz

Finishing: Graphite.

Note: Fast connection.



Model: BRF12.1 Passive, Reflex, Mono (3 ohm)

Loudspeaker: Wf. svc d.320 mm

Power: W 500 F -3dB 25 Hz

Finishing: Graphite.

Note: Fast connection.

Model: BRF12 Passive, Reflex, Stereo (2+2 ohm)

Loudspeaker: Wf. dvc d.320 mm

Power: W 500 F -3dB 25 Hz

Finishing: Graphite.

Note: Fast connection.

