

| Table of contents  |  |   |
|--|--|---|
| 1  | Base element   | 1 |
| 2  | Adjusting nut  | 1 |
| 3  | Compression pad  | 1 |
| 4  | Counternut   | 1 |
| 5  | Doublestep washer with square socket and tappet, PA, red, white or black                               | 1 |
| 6  | Insulating tooth- or bowl lock washer: red, white or black/alternative 30-mm puzzle lock washer: black | 1 |
| 7  | Marking ring, PA, red, white or black  | 1 |
| 8  | Insulation cap, Ø 16 x 20, PC, transparent   | 1 |
| 9  | Insulation bowl, Ø 18,9, PC, transparent   | 1 |
| 10   | Torx® screw, M 4 x 7   | 1 |
| Extent of delivery: 1-9 (parts 1-3, 7-9 mounted), 10 if required |  |   |
| Revision date: 2000-06-13  |  |   |

All rights reserved by WBT · Petty patent (DBGM 90020367) and int. registered design (M9001263) by WBT. WBT is a reg. trademark of WBT, Germany.

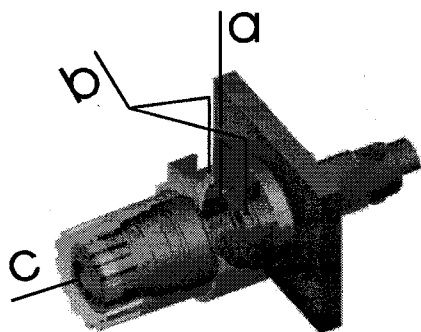
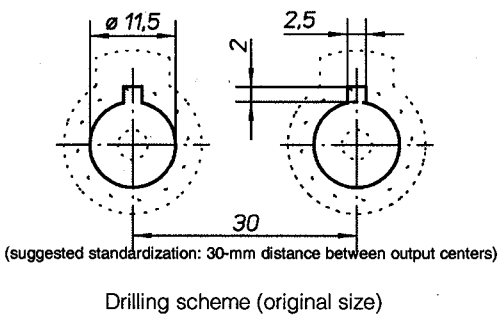
Torx is a reg. trademark of Camcar Textron, USA. Makrolon is a reg. trademark of Bayer AG, Germany.

All dimensions in mm

WBT-0765 complies with current CE and IEC 65 safety regulations.\*

## WBT-0765 Pole terminal

### High-current audio connector for amplifiers and loudspeakers



External connection possibilities (see under 5.)

- Mechanics**
  - single-segment, low-tolerance contact elements (tol. less than  $\pm 0.05$  mm)
  - solid basic element with 4-mm boring for banana plug and internal screw box with cross boring for direct cable connection. Adjusting nut with free-running compression pad and extra-fine thread (0.5 pitch) for optimum contact pressure on spade lugs and cable ends.
- Materials**
  - all solid parts made of highly ductile "OFC" copper alloy (52% Cu)
  - insulating material: polyamide (PA) 6 (15% glass fibre), red, white or black / Makrolon® polycarbonate, transparent/ polycarbonate (30% glass fibre), black
- Surfaces**
  - WBT 24-carat gold-plating: Ni-free, Au 0.3  $\mu$ m, non-magnetic
- Operating characteristics**
  - constant current  $I_D > 200$  A
  - peak current:  $I_S > 2000$  A
  - contact resistance  $R_0 \leq 0.1$  mohms (clamp connection)
  - contact resistance  $R_0 \leq 0.15$  mohms (plug connection with standard banana plug)
  - contact resistance  $R_0 \leq 0.1$  mohms (plug connection with WBT banana plug)
  - volume resistance  $R_B \leq 0.003$  mohms
  - isolation resistance  $R_{iso} > 10^{10}$  ohms
- Terminals**
  - internal connection (for cables up to 10 mm<sup>2</sup> (AWG 8)):
    - - soldering version,
    - - crimping version (only with additional Torx® screw 10), for pc board mounting, see under 7.
  - external connection:
    - a) for cable ends up to 6 mm<sup>2</sup> (AWG 10)
    - b) spade lugs (with 6- and 8-mm contact fork)
    - c) for 4 mm banana plugs
- Mounting**
  - boring:  $\text{Ø } 11.5^{+0.2}$  mm with 2.5 x 2 nut for twist protection
  - WBT also offers special-parts and -information hereto. Please ask us!
- WBT-0765 is also available for direct pc-board mounting (WBT-0766)

\*Safety instruction: within the EU territory WBT-0765 must not be used without the safety-stick (WBT-0799) (to provisionally close the 4-mm banana-boring)