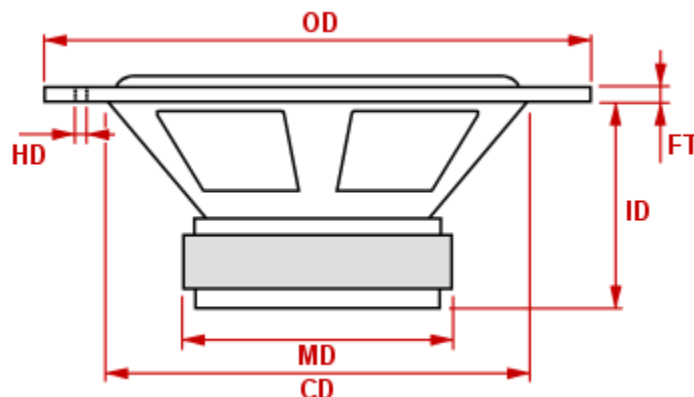




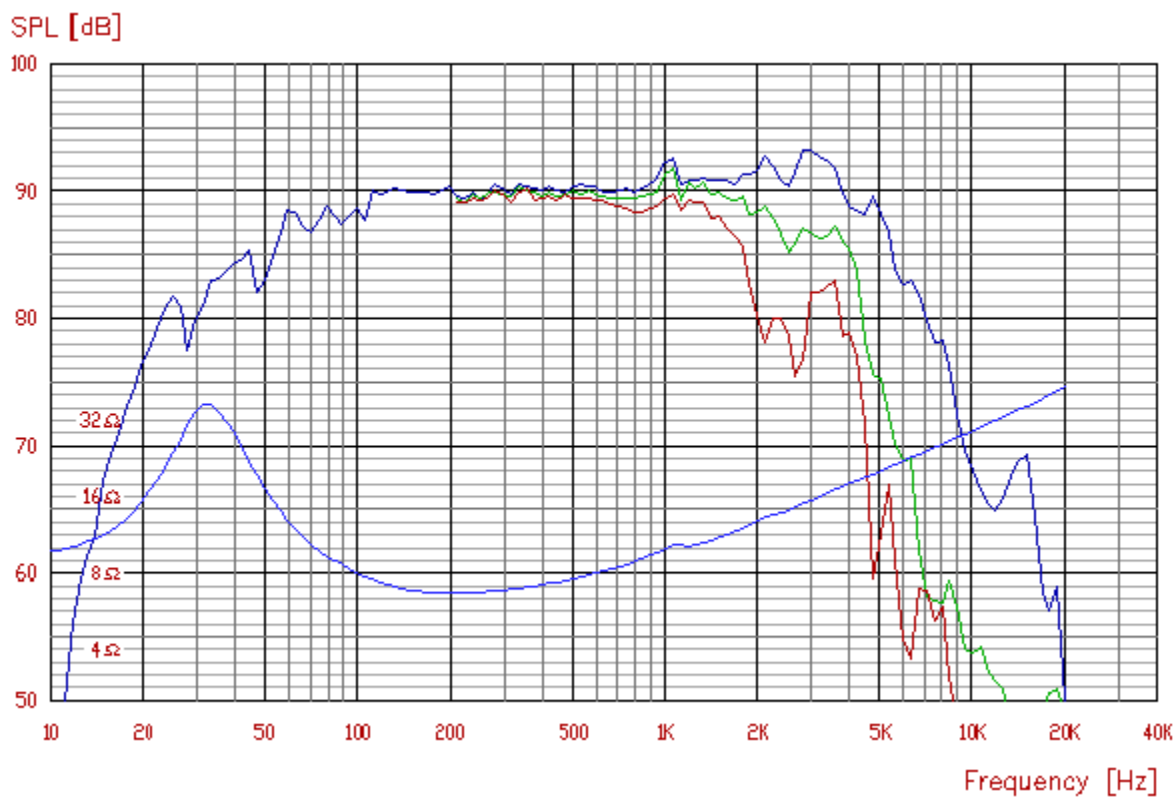
vifa

M21WO-39-08

Nominal impedance [ohm]	8
Voice coil resistance [ohm]	5.5
Nominal power [W]	80
Short term max power [W]	-
Long term max power [W]	-
Operating power [W]	4
Sensitivity [dB]	90
Frequency range [Hz]	25-3000
Free air resonance [Hz]	28
Voice coil diameter [mm]	40
Voice coil height [mm]	18
Air gap height [mm]	6
Voice coil inductance [mH]	1.0
Eff. diaphragm Area [cm ²]	235
Moving mass [g]	23
Magnet weight [g]/[oz]	698/24.6
Force factor [BI]	8.2
VAS [l]	105
Q _{ms}	1.97
Q _{es}	0.35
Q _{ts}	0.30



OD: 215 mm	CD: 187 mm
FT: 4.5 mm	ID: 82.1 mm
MD: 113 mm	HD: 4xø5@ø206.5



Frequency response: 2.83V / 1m