

# Sinfoni

For Music Lovers

**PREMIER***one*



MADE IN ITALY

Owner's Manual

# CONTENTS

Sinfoni **PREMIER***one* control unit

Infrared Remote Control

Wheel mounting kit for remote control

4 m cable for infrared receiver

3V battery for remote control

Biadhesive strip

# Preface

First of all, we would like to congratulate with you for your choice of our Sinfoni preamplifier.

If you are reading this short introduction instead of madly flicking across the pages of this handbook looking for features like the weighted noise or the T.I.M., then maybe we have reached the target of unveiling a little bit of the philosophy of our laboratories.

In fact, you will not find these figures among the characteristics of our products mainly because it is our firm conviction that it is impossible to judge a product like this only on the basis of plain numbers. It would be like guessing the taste of a dish reading just the list of its ingredients.

Only after a suitable "tasting" you will realise the striking sound properties of our products, and you will appreciate their transparency, their musicality, their depth and all other aspects that probably, as a Sinfoni purchaser, you already know.

Try to describe it with unpersonal technical parameters, if you can!

In order to get the utmost from our products, we recommend you to use only high-quality components and cables: with a few adjustment every Sinfoni amplifier will give you unexpected emotions and sensations.

We kindly ask you to follow the indications mentioned in this handbook, and we wish you to enjoy Music at best.

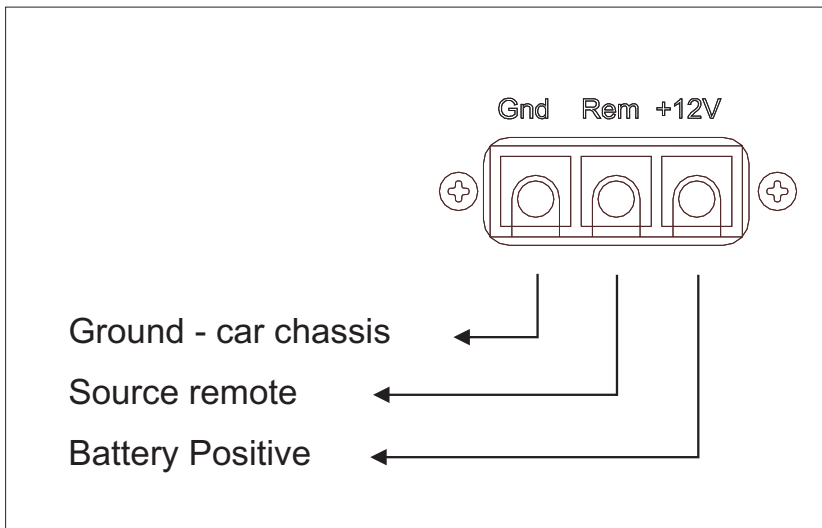
# Installation Procedure

## POWER SUPPLY

The Sinfoni preamplifiers is designed to work with a 12 volts DC power supply, however they allow +/- 3 V voltage excursions.

Power Supply cables must be of a suitable gauge, keeping in mind that the negative one must be connected to the ground in the nearest point of the car chassis, while the positive one must come directly from the battery.

The REM input ( remote ) must be connected to the remote output of the source, which must provide at least a 20 mA current, for every installed Sinfoni unit.



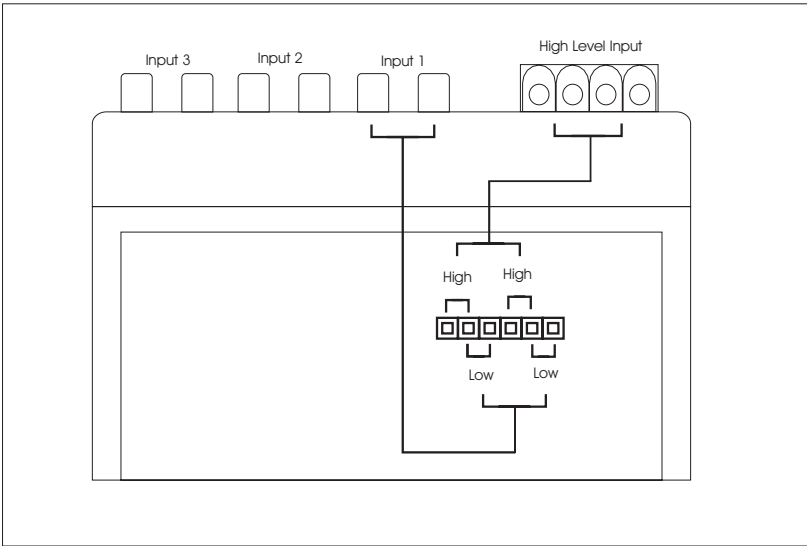


# INPUTS

The three inputs load is 48 Kohms, and their sensitivity is adjustable from 100 to 4 Vrms, therefore they perfectly match any source, including those provided with the latest car radio.

The regulation is achieved rotating the input potentiometers, near to each input, with a common screwdriver.

It is also possible to use an high level input for the amplified output of some car radios; simply use the jumpers to switch from the Rca Input 1 and the High Level Input.



# REMOTE CONTROL

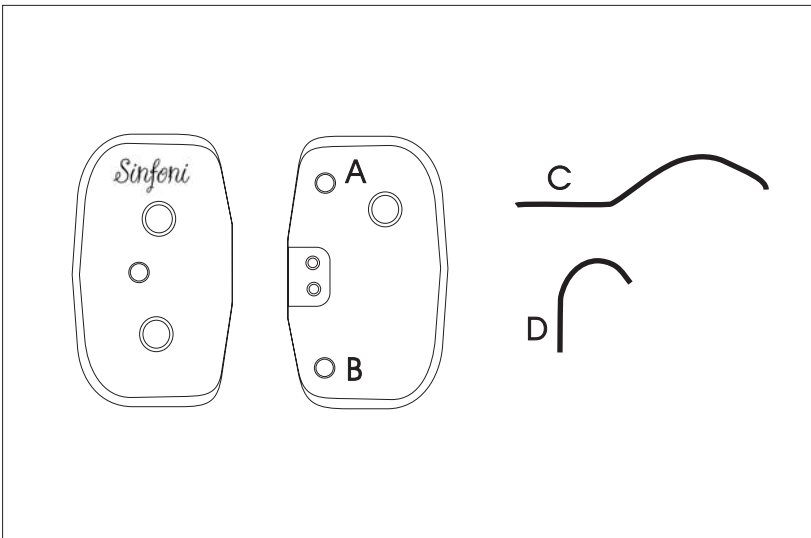
The first thing to do is to insert the battery in the remote control:

- Remove the *A* and *B* screw on the bottom of the remote control and separate the two sides
- Insert the battery in its place
- Close the remote control

The two metallic brackets supplied with the package are needed to clamp the remote control to the steering wheel :

- Screw the *D* bracket to the front side of the remote control
- Clean the part of the steering wheel which should accept the remote control
- Fix the remote control to the steering wheel using the biadhhesive strip furnished
- Screw the *C* bracket to the rear side of the remote control

In order to obtain the best result, we suggest to locate the infrared receiver near to the remote control and to direct it in the most proper way way.



# Specifications

Power Supply	9-15 VCC
Stand-by Current	<500 m A
Input Impedance	48 Kohm
Total Harmonic Distortion	< 0,01 %
Bandwidth	5 Hz-200 kHz +/- 3 dB
S./Noise Ratio	> 90 dB
Inputs	
3 High Impedance	from 100 to 4 Vrms
1 Low Impedance	from 100 to 12 Vrms
Outputs	3                      5 Vrms/500 Ohm
Dimensions	225mm x 190mm x 40mm
Weight	2,2 Kg

Infrared remote control with volume regulation  
and source selection.



Produced by:  
Audio Technology  
Tel. +39.0733.240231  
e-mail info@sinfoni.com  
www.sinfoni.com