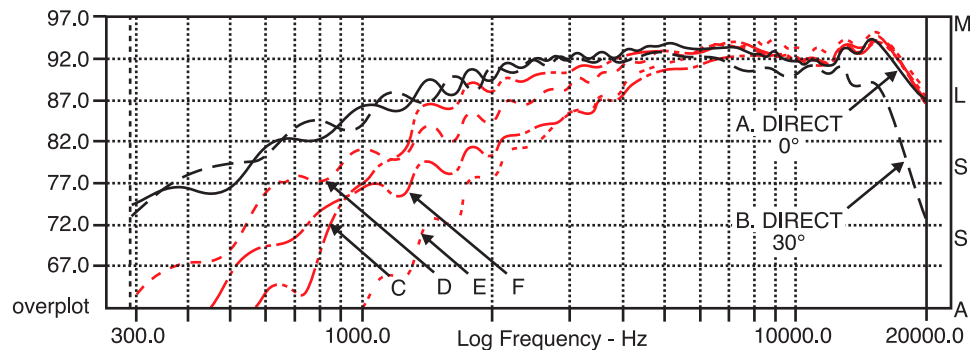


SUPREMOtm

Frequency response and crossing points

The special acuflex™ coated soft dome and the large 28mm (1 1/8") Hexatech Voice coil, provides high power handling, and larger radiating dome surface. These together with the underhung configuration principles results in an exceptional off-axis response, which is top important for a High end Car Audio system. Below is a graph showing Supremo's behavior in various crossover points.

SENSITIVITY MAG. db/FREQUENCY RESPONSE



	CROSS. COMPO.	A+B	C	D	E	F
	C MF	0	9.7	9.7	4.7	4.7
L MH	0	0.65	0	0.34	0	

SPECIFICATIONS

Overall Dimensions		Ø 100mm (4") x 50mm (2")
Nominal Power Handling	P	220 W / 12 dB 120 W / 6dB
Crossover at 2,200 Hz		
Transient Power - 10ms		1000 W
Nominal Impedance	Z	6 Ω
Sensitivity (2.38V/ 1M)		92 dB
Frequency Response		1600 - 22,000Hz (Limit 300-50,000Hz)
Resonant Frequency	FS	±10% 680Hz
Voice Coil Diameter	Ø	28mm (1. 1/8")
Voice Coil Height		2.7mm (0.106")
Voice Coil Former		Aluminum
Voice Coil Wire		Hexatech Aluminum
Number of Layers		2
DC Resistance	RE	5.2 Ω
Voice Coil Inductance @ 1khz	LBM	0.09 mH
Magnet System Type		Neodymium flat pancake design
Magnetic Gap Height	HE	4.2 mm (0.16")
Cone / Dome Material		Acuflex™ Coated soft Dome
Net Weight	Kg.	0.45 Kg.

SUPREMOtm

Mobile Wide Range Tweeter

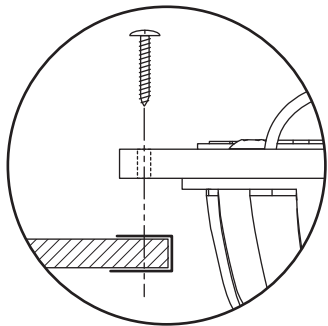
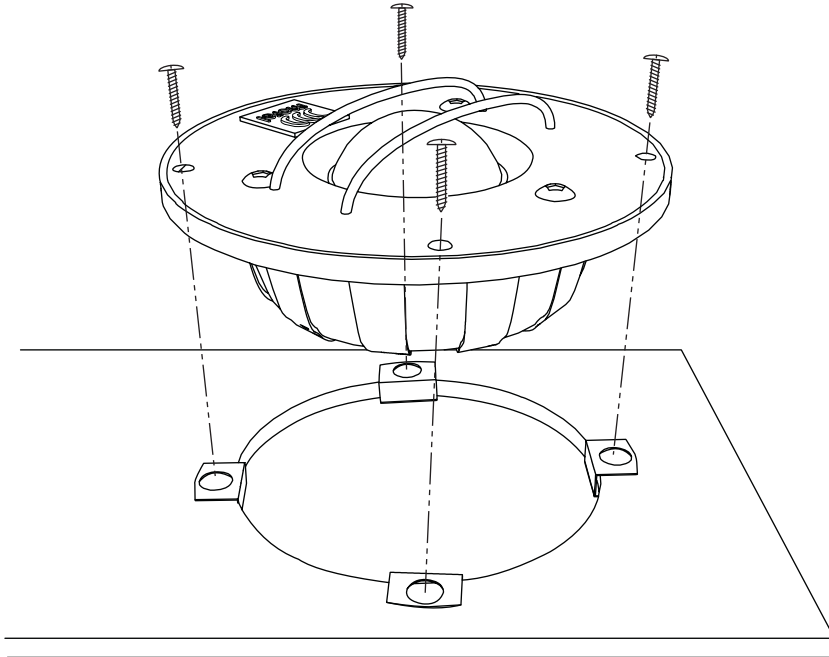
Installation Instructions



www.morelhifi.com

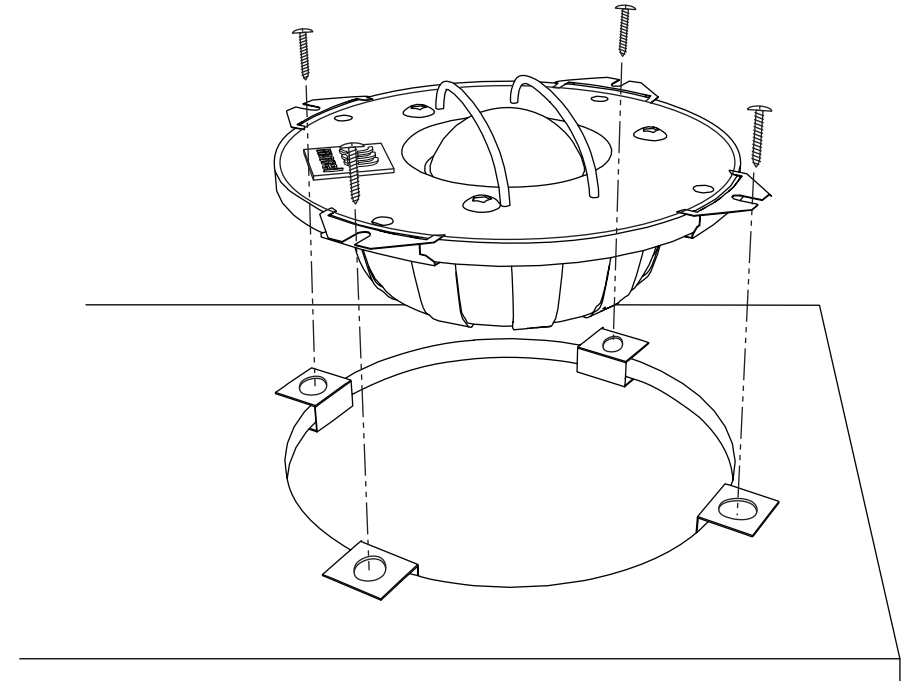
Flush mounting

For 100mm cutouts, use the sprung steel fasteners with your unit for classic installation.



Custom mounting

For other cutouts, use the reversible sprung steel clip.



reversible sprung steel clip for multi-position mounting.

