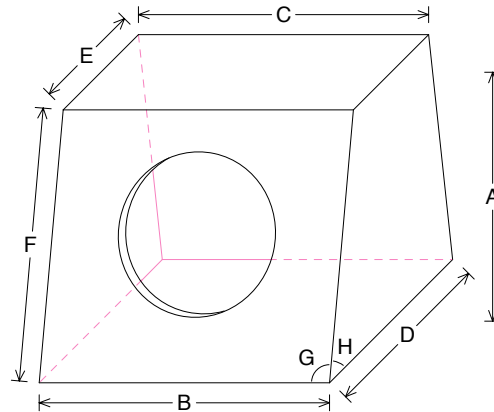


Closed Enclosure

--Box Parameters--

Vb = 35,74 liters
 Qtc = 0,849
 QL = 6,919
 F3 = 50,65 Hz
 Fill = none



--External Dimensions--

A = 370, mm
 B = 450, mm
 C = 450, mm
 D = 380, mm
 E = 230, mm
 F = 372,4 mm

--Wall Thickness--

Front = 20, mm

Side = 20, mm

--Corner Angles--

G = 90,°

H = 78,37°

Vented Enclosure

--Box Parameters--

Vb = 42, liters
 Fb = 40,25 Hz
 QL = 6,919
 F3 = 39,82 Hz
 Fill = normal

--Vents--

No. of Vents = 1

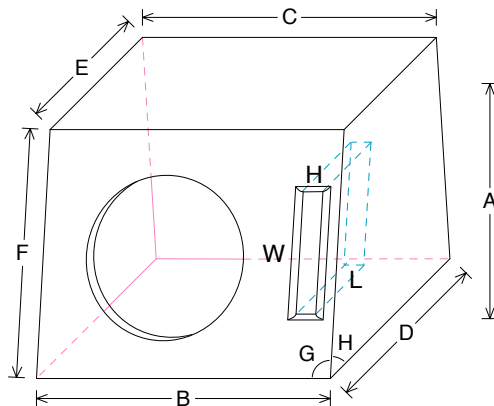
Vent shape = rectangle

Vent ends = one flared

Hv = 35, mm

Wv = 150, mm

Lv = 188, mm



--External Dimensions--

A = 370, mm
 B = 500, mm
 C = 500, mm
 D = 380, mm
 E = 309,5 mm
 F = 370,5 mm

--Wall Thickness--

Front = 20, mm

Side = 20, mm

--Corner Angles--

G = 90,°

H = 84,54°

Closed Band pass single tuned

--Box Parameters--

Chamber 1 - lower-frequency

Vb = 37,57 liters
 Fb = 56,46 Hz
 QL = 6,919
 F3 = 23,35 Hz
 Fill = normal

Chamber 2 - upper-frequency

Vb = 20, liters
 Fb = 46,71 Hz
 QL = 6,919
 F3 = 115,9 Hz
 Fill = normal

--Vents--

No. of Vents = 1

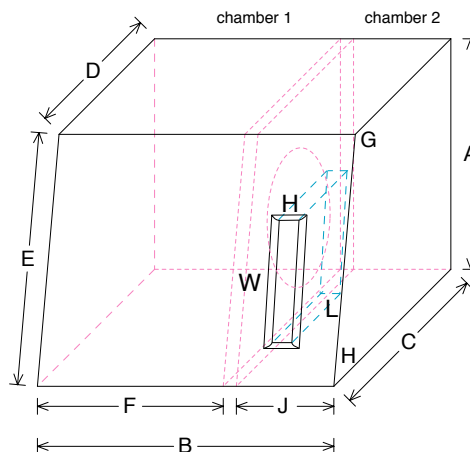
Vent shape = rectangle

Vent ends = one flared

Hv = 25, mm

Wv = 150, mm

Lv = 237,1 mm



--External Dimensions--

A = 370, mm
 B = 607,3 mm
 C = 380, mm
 D = 336,6 mm
 E = 372,5 mm

--Internal Dimensions--

F = 350,8 mm

J = 196,5 mm

--Wall Thickness--

Outer Sides = 20, mm

Inner Baffle = 20, mm

--Angles--

G = 96,69°

H = 83,31°