



TR100A

Hypex Electronics

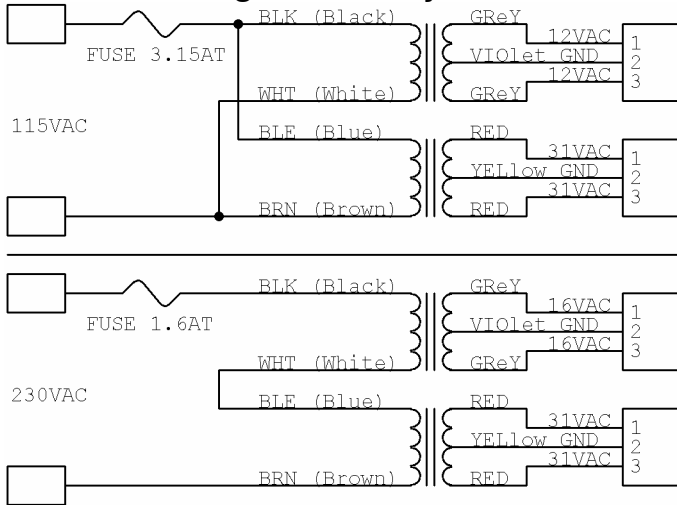
General Description.

The TR100A is a 160VA toroidal transformer, custom made for Hypex. It's capable of powering one UcD180. It has one pair of primary windings of 115V and two pairs of secondary windings: 12VAC and 31VAC. Be sure to connect the primary wires according to a diagram below to avoid phasing-problems and short-circuits. In series for 230VAC, in parallel for 115VAC.

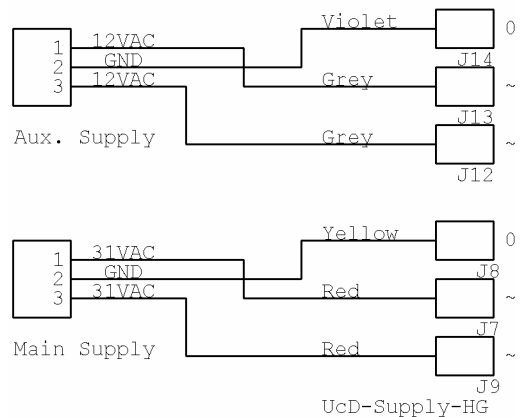
Labeltext.

Hypex Electronics Toroidal Transformer	
Model No.:	TR100A
Input:	AC 0---115V 0---115V ~50/60Hz
	BLK---WHT BLE---BRN
WI.	115 Deg.C Thermal Cutoff
Output:	AC 12V --- 0--- 12V 0.5A GRY---VIO---GRY
	AC 31V --- 0 --- 31V 2.18A RED---YEL---RED
Website: www.hypex.nl	

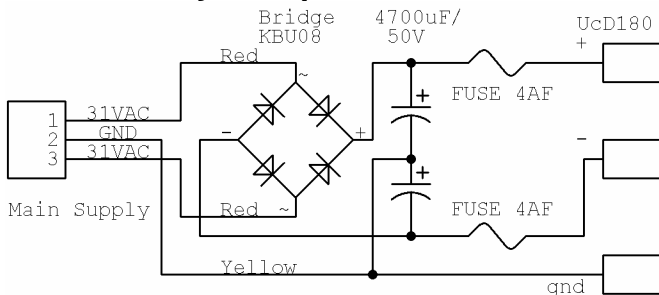
Connection Diagram Primary.



Connection Diagram Secondary to the Hypex UcD-Supply-HG (High Grade)



Connection Diagram Secondary to a Bridge with Electrolytic Capacitors.



Connection Diagram Secondary to the Hypex UcD-Supply-ST (standard)

