

Fostex®

FULL RANGE SPEAKER UNIT

FE126E

Features

- 'ES cone' paper made of banana plant's fiber
- Newly designed center cap
- ø100mm large ferrite magnet
- Well tuned Qts value for back loaded horn enclosure

Specifications

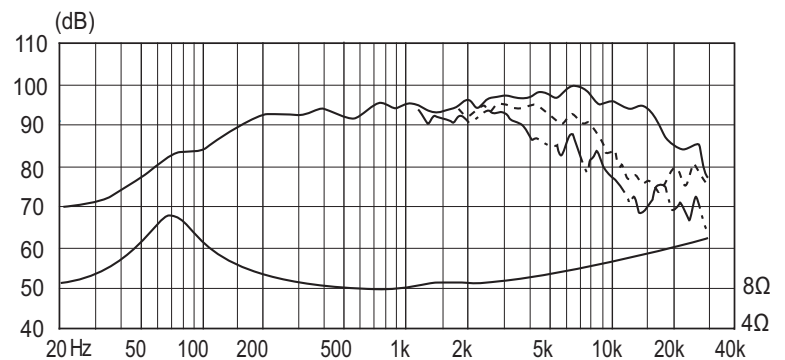
&

Thiele/Small Parameters

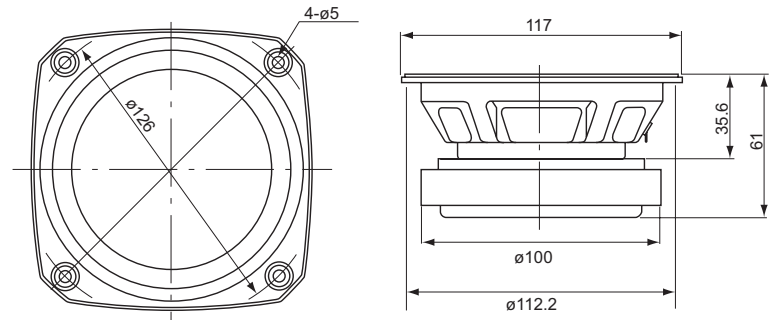
Size	:	120 mm / 5 in
Voice Coil Diameter	:	20 mm / 1 in
Cast / Stamped	:	Stamped
Impedance	:	8 Ω
Reproduction Frequency Response	:	fs - 25 kHz
Sound Pressure Level	:	93 dB/W(m)
Rated Input	:	15 W
Music Power	:	45 W
Magnet Material	:	Ferrite
Magnet Weight	:	
(main)	:	440 g / 0.970 lb
(cancel)	:	n/a g / n/a lb
Net Weight	:	1,010 g / 2.227 lb



Frequency Response / Impedance



Dimensions & Mounting Information

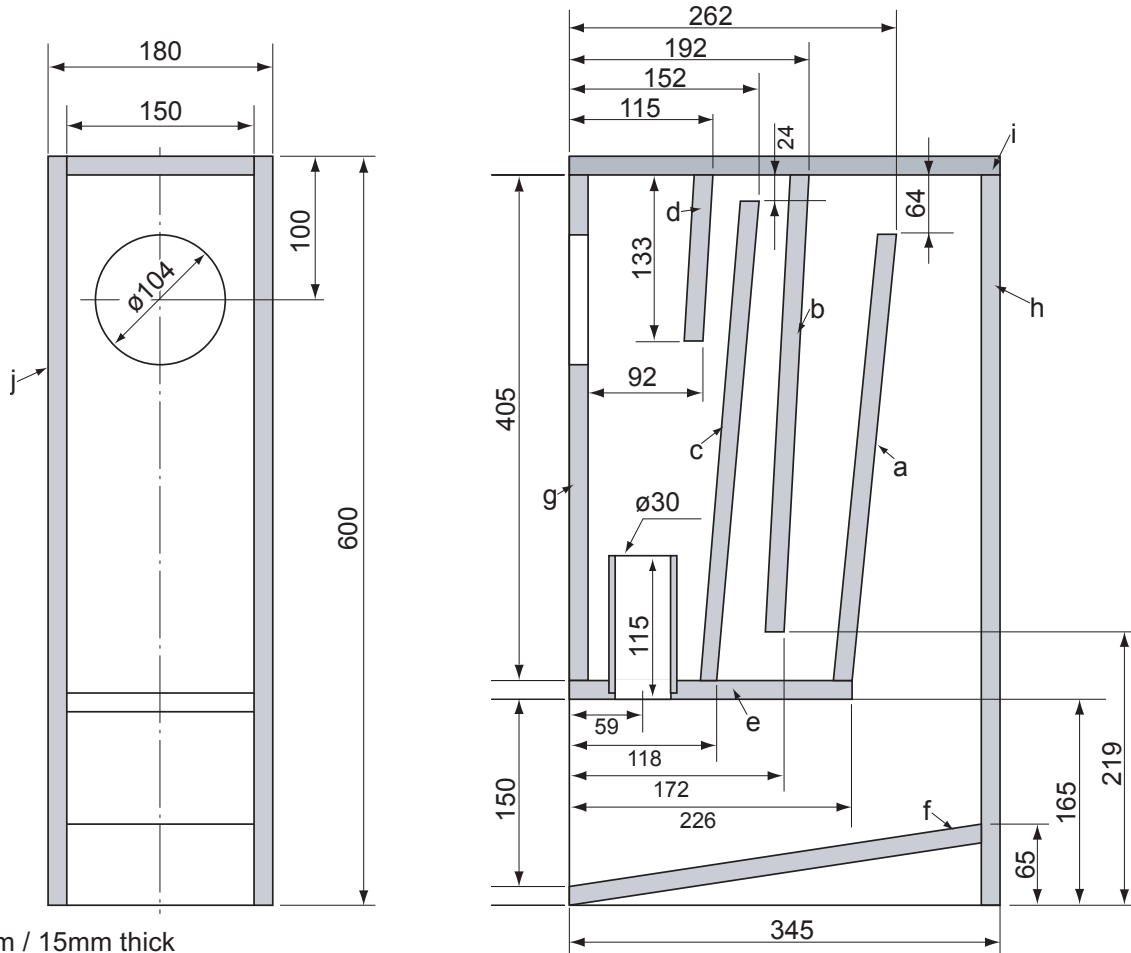


a	:	46 mm
Sd	:	0.0065 m ²
Zn	:	8 Ω
Fs	:	70 Hz
Re	:	6.9 Ω
Le	:	0.0034 mH
Qms	:	2.96
Qes	:	0.27
Qts	:	0.25
Mms	:	2.9 g
BL	:	5.92 Telsa/m
Vas	:	9.95 L
Xmax	:	0.35 mm
Eff/η0	:	1.374 %
Cms	:	0.0017 mm/N
EBP	:	259.26

Overall Diameter	:	142 mm / 6 in
Baffle Hole Diameter	:	104 mm / 4 in
Depth	:	61 mm / 2 in

FE126E

Unique Back Loaded Horn + Bass Reflex Hybrid Enclosure



unit:mm / 15mm thick

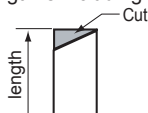
- Shown is an example of a FE126E back loaded horn + bass reflex hybrid enclosure.
- Horn frequency is tuned at 100Hz and bass reflex 'Fb' at 55Hz.
- Employing the bass reflex port in the back cavity, this setting realizes the extended low frequency while the dip with the characteristic of back loaded horn is reduced.

unit:mm / 15mm thick

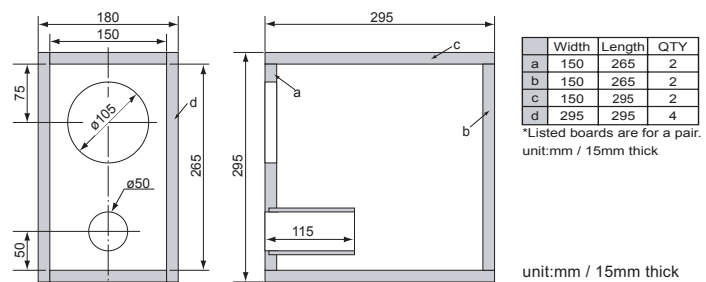
	Width	Length	QTY
a	150	343	2
b	150	367	2
c	150	383	2
d	150	135	2
e	150	228	2
f	150	349	2
g	150	405	2
h	150	585	2
i	150	345	2
j	345	600	4

*Listed boards are for a pair.

*Listed length is including cut part.



Recommended Standard Bass Reflex Type Enclosure



	Width	Length	QTY
a	150	265	2
b	150	265	2
c	150	295	2
d	295	295	4

*Listed boards are for a pair.
unit:mm / 15mm thick

unit:mm / 15mm thick

Example of FE126E standard bass reflex type enclosure. Internal volume is 10.5 liters tuned to approximately 61Hz (Fb).